



*Impact Sockets,
Chisels & Attachments*

EVERYTHING IMPACT.®





GP is **EVERYTHING IMPACT**®

Grey Pneumatic (GP) through our distributors supplies the world's automotive, industrial, assembly, mining, maintenance, construction, and energy industries with heavy duty, high quality impact and specialty sockets. We carry a complete line of Impact Socket sets and individuals from 1/4" drive thru 2-1/2" and #5 spline drive with hex sizes up to 8". We also offer a large selection of star impact drivers, impact hex drivers, triple square drivers, torque limiting extensions plus Impact chisels and accessories.

GP sockets and tools are made in Taiwan using the highest quality chrome-molybdenum alloy steel and state-of-the-art manufacturing processes and equipment. Thorough and exact heat treatment, as well as rigid quality control, ensures the correct balance of strength and durability to deliver outstanding performance at the most competitive cost.

GP Tools are available through Automotive and Industrial warehouse distributors, tool stores, mobile tool truck dealers, tire equipment and supply warehouses and other sources that service these markets.

GP offers **Fast and Reliable** service to all of our distributors and their customers.



*GP Tools carry a
Lifetime Warranty.*

All GP Impact Sockets feature the GP "High Torque" Drive

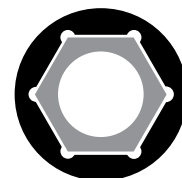
Benefits are:

Increased Strength - Transfers the pressure from the thinnest part of the socket wall toward the thicker section, resulting in increased strength.

Increased Torque - Allows up to 20% more torque to be applied than on standard hex impact sockets.

Easier Access to Tight Areas - The shift in pressure allows us to reduce the socket wall thickness, increasing access to tight areas.

Reduced Wear - Our impact sockets grip the fastener across a broader contact area, reducing the chance of rounding off fasteners.



*GP "High Torque"
drive offers many
benefits.*



*All GP Sockets feature
extra-large size markings
for quick identification.*

EVERYTHING IMPACT®



1/4" Drive Standard Length Impact Sockets



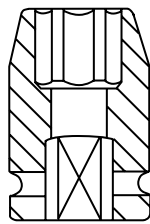
Surface Drive Impact Sockets are specially designed with a hex opening that allows for quick engagement of a fastener. Ideal for assembly operations.

1/4"

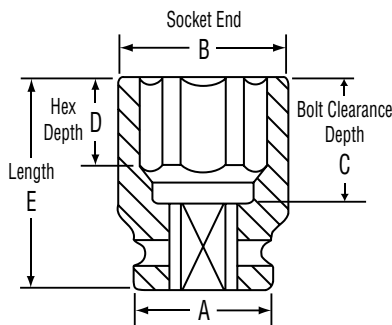
6s 1/4" Drive - Standard Length - Fractional Sizes SAE



Item Number	Hex Size	Shape	Dimensions (Inches)				
			A	B	C	D	E
906RS	3/16"	I	.51	.33	.55	.24	.91
907RS	7/32"	I	.51	.37	.55	.24	.91
908RS	1/4"	I	.51	.41	.55	.28	.91
909RS	9/32"	I	.51	.44	.55	.28	.91
910RS	5/16"	I	.51	.49	.55	.35	.91
911RS	11/32"	II	.51	.54	.55	.35	.91
912RS	3/8"	II	.51	.59	.55	.35	.91
914RS	7/16"	II	.51	.64	.55	.35	.91
916RS	1/2"	II	.51	.74	.55	.35	.91
918RS	9/16"	II	.51	.79	.55	.35	.91



SHAPE I



SHAPE II

6s Standard Length - Metric Sizes MM

Item Number	Hex Size	Shape	Dimensions (Millimeters)				
			A	B	C	D	E
904MS	4mm	I	13	7.6	14	4	23
945MS	4.5mm	I	13	8.2	14	6	23
905MS	5mm	I	13	8.8	14	6	23
955MS	5.5mm	I	13	9.5	14	6	23
906MS	6mm	I	13	10.0	14	7	23
907MS	7mm	I	13	11.3	14	7	23
908MS	8mm	I	13	12.5	14	9	23
909MS	9mm	II	13	13.8	14	9	23
910MS	10mm	II	13	15.0	14	9	23
911MS	11mm	II	13	16.3	14	9	23
912MS	12mm	II	13	17.0	14	9	23
913MS	13mm	II	13	18.8	14	9	23
914MS	14mm	II	13	20.0	14	9	23
915MS	15mm	II	13	21.0	14	9	23