

G45 FASTTRACK



Made in USA

OWNERS MANUAL



This manual contains important information concerning the installation and operation of the gun washers listed above. **Read manual thoroughly and keep for future reference**



Herkules Patent Numbers

These products have patent protection under one or more of the following patent numbers:

9422142, 8733508, 8714524, 866247, 8052120, 7070167, 5485860, 5193561, 5174317, 4960142, 4793369 and Patents Pending

Website: www.herkules.us
E-mail: info@herkules.us

Herkules Equipment Corporation
2760 Ridgeway Court
Walled Lake, MI 48390-1662 USA

Toll Free: 800-444-4351
Phone: 248-960-7100
Fax: 248 960-7109

Table of Contents

Warranty	3
Model Information	4
Warnings	5
Installation	6
Operation	6
Preventative Maintenance	7
Troubleshooting	7
Drawings with Part Lists	8

Herkules Equipment Corporation

A U.S.-based manufacturer, Herkules Equipment Corporation offers a diverse line of products that support multiple industries by improving efficiency, productivity, ergonomics, comfort, and safety in the work environment. The company consists of the three product lines: Herkules, Enkon and BossLifts.

Since 1985, Herkules has designed, engineered and manufactured quality products at our Walled Lake, Michigan facility. Our company supports our products after delivery, with U.S. based customer service, and replacement parts, enabling our customers to proceed with confidence.

To learn more about Herkules, visit <http://herkules.us>. Contact us at info@herkules.us with any questions or concerns.

Thank you for purchasing a Herkules product!

Warranty

IMPORTANT NOTICE: if you have a problem with your Herkules product,

DO NOT RETURN TO PLACE OF PURCHASE

Contact Herkules: by phone 1-800-444-4351; by email, info@herkules.us; or on the web at herkules.us/contact-us.

At Herkules we take great pride in the construction of our American-made products, and we stand behind their reliability. Our limited liability warranty coverage for Paint Gun Washers warranties the unit for a period of 12 months. Washer pumps have a separate warranty; the Herkules 338 pump is protected for a period of 2 years from the date of purchase. All other pumps, including rinse pumps, are warranted for 12 months.

This warranty does not apply to equipment damaged from accident, abuse, overload, misuse, negligence, improper installation, abrasive or corrosive materials, or shipping damage.

In the event of product failure, the defective item must be returned, freight prepaid, to the Herkules manufacturing plant for repair or replacement. If repairs are required, Herkules will not be liable for these repairs to take place in the field regardless of the application. Proof of purchase and date of purchase must be confirmed. An RGA* (Returned Goods Authorization) and written approval from Herkules must be obtained before any goods can be shipped to Herkules. We reserve the right to Determine whether failure is due to defective material, normal wear, and / or other causes.

There are no warranties which extend beyond the description on the face hereof. Herkules disclaims any warranty of merchantability or fitness for a particular purpose in connection with the Buyer's purchase of any Product under this agreement. Damages are limited to the sales price of the Herkules system. The terms and conditions herein represent the entire agreement between Herkules and the Buyer. Any prior / future representations do not apply.

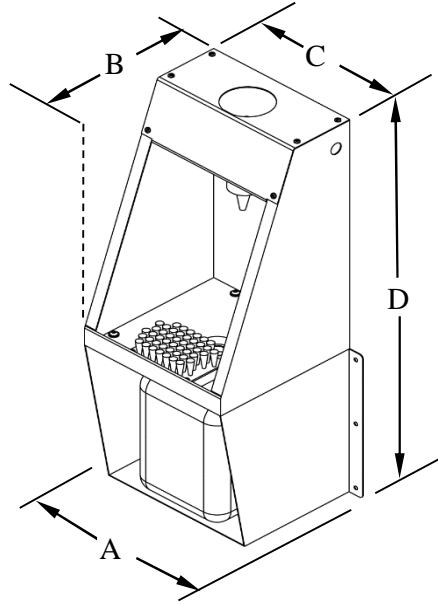
*To obtain a RGA, contact Herkules at 1-800-444-4351 and have the item model, serial numbers, and invoice number if applicable.

Upon receipt of your equipment, please write your purchase information below. Please retain this manual for your records.

Serial Number _____ Model Number _____

Purchase Date _____ Distributor (if applicable) _____

Model Information



NOTE: Dimensions listed are overall measurements.

Model	Description	Weight lbs/(kg)	Dimensions in./(mm)			
			A	B	C	D
G45	Manual cleaning Gun Washer includes pressure cleaning nozzle and cleaning brush surface	6 (2.7)	12.0 (305)	9.5 (241)	10.0 (254)	26.13 (664)

Warning Symbol



This symbol alerts you to the possibility of serious injury or death if you do not follow the instructions.

Caution Symbol



This symbol alerts you to the possibility of damage to or destruction of equipment if you do not follow the instructions.



WARNING



EQUIPMENT MISUSE HAZARD

Equipment misuse can cause the equipment to rupture, malfunction, or start unexpectedly and result in serious injury.

- This equipment is for professional use only.
- Read all instruction manuals, tags, and labels before operating the equipment.
- Use the equipment only for its intended use.
- Do not alter or modify this equipment.
- Do not move pressurized equipment.
- Comply with all applicable local, state and national fire, electrical and other safety regulation.



PRESSURIZED EQUIPMENT HAZARD

Spray from the cleaning process can splash fluid in the eyes or on the skin and cause serious injury.

- Do not stop or deflect fluid leaks with your hand, body, glove, or rag.
- Tighten all fluid connections before operating the equipment.
- Replace worn, damaged, or loose parts immediately.



FIRE AND EXPLOSION HAZARD



Improper grounding, poor air ventilation, open flames, or sparks can cause a hazardous condition and result in fire or explosion and serious injury.

- Provide fresh air ventilation to avoid the build up of fumes.
- Extinguish all open flames or pilot lights in the gun washer area.
- Disconnect all electrical equipment in the gun washer area.
- Keep the gun washer area free of debris, including cleaning solutions, rags, and gasoline.
- Do not turn on any light switch in the gun washer area while operating or if fumes are present.
- Do not smoke in the gun washer area.
- Do not operate a gasoline engine in the gun washer area.
- If there is any static sparking while using the equipment, **stop operation immediately**. Identify and correct the problem.



TOXIC FLUID HAZARD

Hazardous fluids or toxic fumes can cause serious injury or death if splashed in eyes or on the skin, swallowed, or inhaled.

- Know the specific hazards of the fluid you are using. Read the fluid manufacturer's warnings.
- Store hazardous fluid in an approved container. Dispose of hazardous fluid according to all local, state and national guidelines.
- Wear the appropriate protective clothing, gloves, eyewear and respirator.
- Read all warnings and labels on the SCB-01 Sparkle Clean Blast can before use.

Installation

Installing the Gun Washer

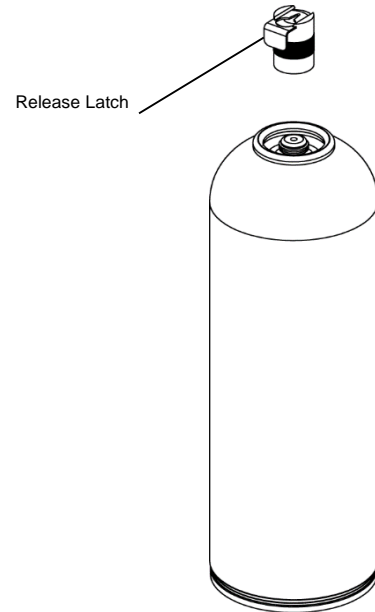
- 1) Mount the Gun Washer to a wall (hardware not included) in a Spray Booth or another convenient location in the shop.

Operation

Preparing SCB-01 Can for use with the G45

- 1) Take the female end of the Schrader Valve (P/N 1005344) and screw on to the top of the SCB-01 can.

Note: make sure the Schrader Valve is in the open position with the button in the up position.



Attaching/Removing SCB-01 Can to the G45

- 1) To attach can, flip new can over so Schrader Valve female end is pointed down through the top of the G45.
- 2) Push can down into hole and onto the male end of the Schrader Valve, you will feel and hear a snap to indicate valves are now interlocked.
- 3) To remove can, you need to reach up inside the unit and then lift and press the release latch on the Schrader Valve and pull can off.

Preparing the equipment to be washed

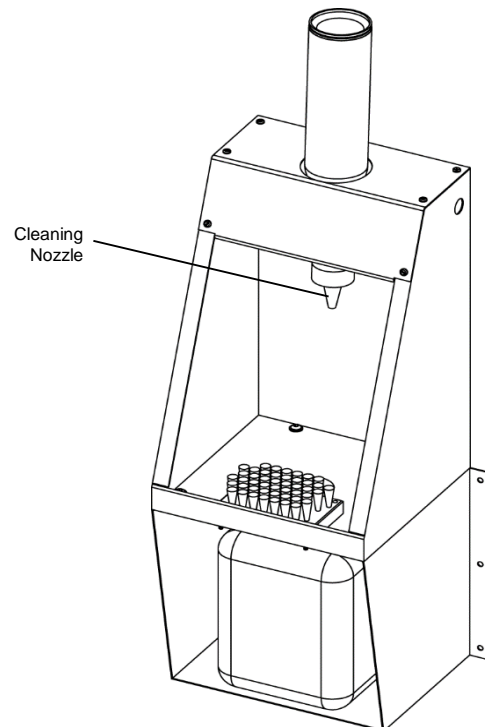
- 1) Remove paint cup from the paint gun.
- 2) Drain any unused paint into a separate container.

Cleaning equipment

- 1) Place the paint channel of the paint gun under the cleaning nozzle. Squeeze the trigger of the paint gun while pressing the paint gun up against the nozzle to activate the valve. Allow can to spray for 5-10 seconds.

Note: Position the spray gun so that the flow of solution exiting the paint gun is contained within the Gun Washer cabinet.

- 2) Clean the air cap of the paint gun by rubbing it on the panel mounted brush.
- 4) Dispose of all paint waste in accordance with all local, state and federal regulations.



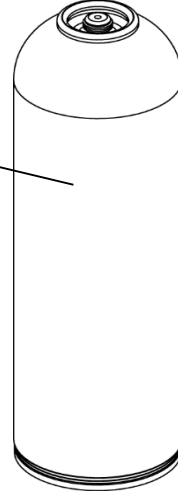
Preventative Maintenance

To keep your machine working efficiently and effectively, please follow these directions.

- 1) Always drain excess paint from cup or pot before placing in gun washer.
- 2) Replace SCB-01 can when empty.



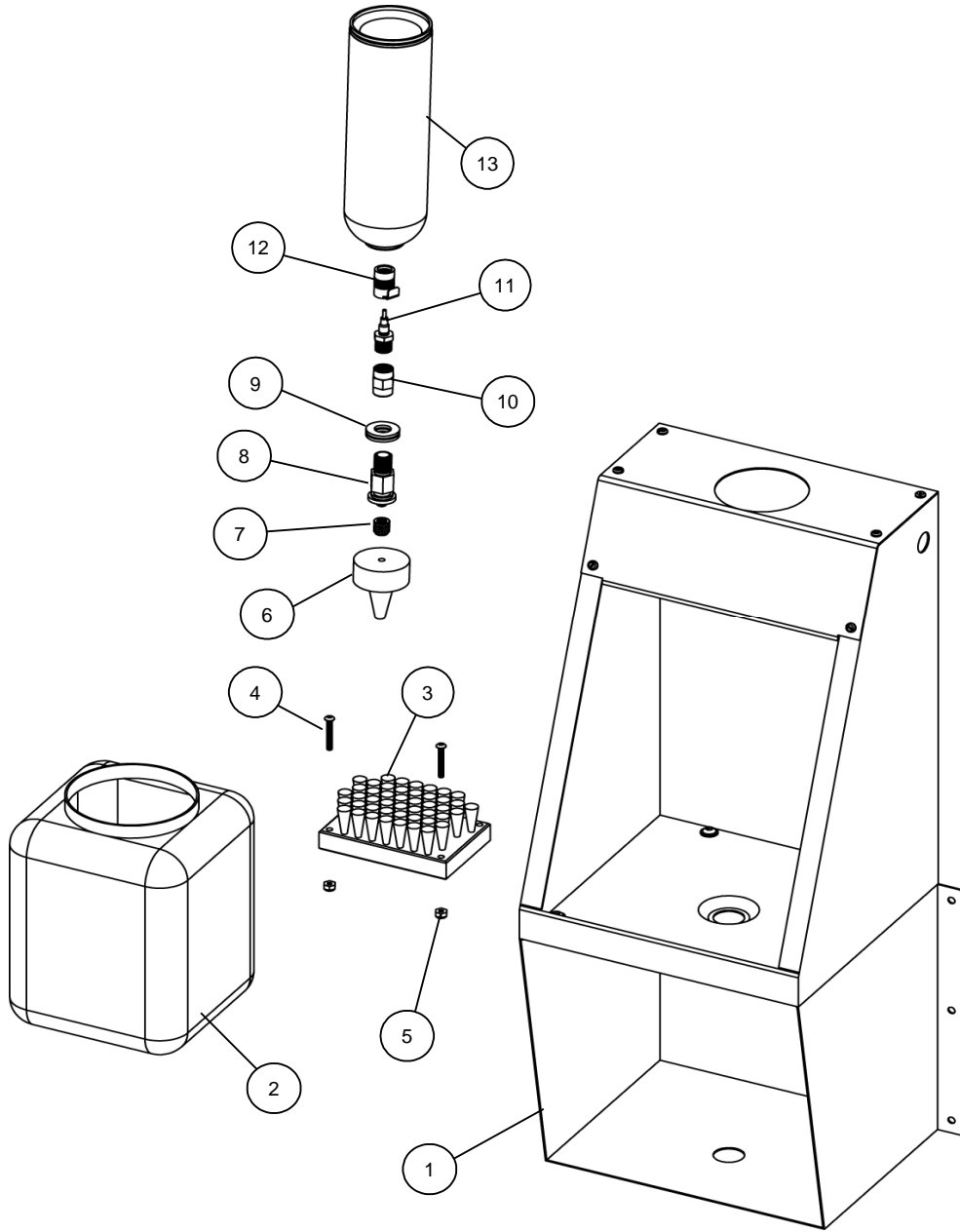
SCB-01



Troubleshooting

Problem	Possible Solution
Valve is pushed up but solution does not flow.	<ol style="list-style-type: none">1 Press down on SCB-01 can.2 Make sure SCB-01 can is not empty.

G45 Parts Layout



Part #	Description	Quantity
1	1005288 CABINET WELDMENT	1 EA
2	1003504 CONTAINER SQ 6-1/4 X 8-1/4 HDPE	1 EA
3	1003559 BRUSH PANEL	1 EA
4	002-171S SCREW BHSC 8-32 X 1 SS	2 EA
5	002-172S NUT NYLOCK 8-32 SS	2 EA
6	1004269 NOZZLE W/GUARD RUBBER	1 EA
7	1004790 THREADED INSERT 5/16-24 X 1/2-13 SS	1 EA
8	15216 VALVE PUSH 1/4 NPT X 5/16-24 BRASS	1 EA
9	85I WASHER FLAT 1/2 USS Z	2 EA
10	002-133 COUPLE 1/4 NPT BRASS	1 EA
11	1005345 SCHRADER VALVE MALE END	1 EA
12	1005344 SCHRADER VALVE FEMALE END	1 EA
13	SCB-06 SPARKLE CLEAN BLAST PAINT GUN CLEANER	1 EA