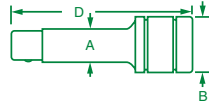


## Extensions

### 1/2" Drive Extensions

EXTENSION PART NO.	SIZE	A	B	D
40160	2"	0.63	0.88	2.00
40159	3"	0.63	0.87	3.00
40161	5"	0.63	0.88	5.00
40162	10"	0.63	0.88	10.00
40164	15"	0.63	0.87	15.00
40163	20"	0.63	0.88	20.00



### No. 4114

3 Piece, 1/2" Drive Extension Set Includes:

PART NO.	SIZE	PART NO.	SIZE	PART NO.	SIZE
40161	5"	40162	10"	40163	20"

Packaged in a tray.

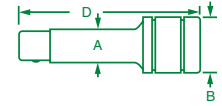
### Wobble Extensions for Access

Wobble extensions provide improved access over standard extensions by allowing any indirect approach to the fastener with up to an 8° offset angle.



### 1/2" Drive Wobble Extensions

WOBBLE PART NO.	SIZE	A	B	D
40192	2"	0.63	0.88	2.00
40193	3"	0.63	0.88	3.00
40195	5"	0.63	0.88	5.00
40200	10"	0.63	0.88	10.00
40205	15"	0.63	0.88	15.00

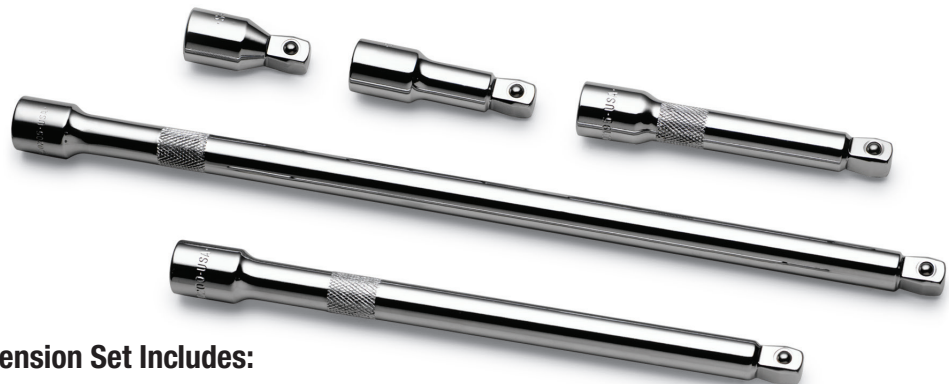


### No. 40165

5 Piece, 1/2" Drive Extension Set Includes:

PART NO.	SIZE	PART NO.	SIZE	PART NO.	SIZE
40160	2"	40161	5"	40164	15"
40159	3"	40162	10"		

Packaged in a tray.



### No. 40208

5 Piece, 1/2" Drive Wobble Extension Set Includes:

PART NO.	SIZE	PART NO.	SIZE	PART NO.	SIZE
40192	2"	40195	5"	40205	15"
40193	3"	40200	10"		

Packaged in a tray



**SUPERKROME  
TESTED TOUGH**

**No. 4123**

**23 Piece, 1/2" Drive, 12 Point, Standard and Deep Fractional Socket Set Includes:**

STANDARD SOCKETS	SIZE	STANDARD SOCKETS	SIZE	DEEP SOCKETS	SIZE	DEEP SOCKETS	SIZE
40214	7/16"	40128	7/8"	40816	1/2"	40824	3/4"
40216	1/2"	40130	15/16"	40818	9/16"	40826	13/16"
40218	9/16"	40132	1"	40820	5/8"	40828	7/8"
40120	5/8"	40134	1 1/16"	40822	11/16"		
40122	11/16"	40136	1 1/8"				
40124	3/4"	40140	1 1/4"				
40126	13/16"						
42470	10.3" Ratchet			40161	5" Extension		
41652	16" Flex Handle						

Packaged in a molded plastic case.



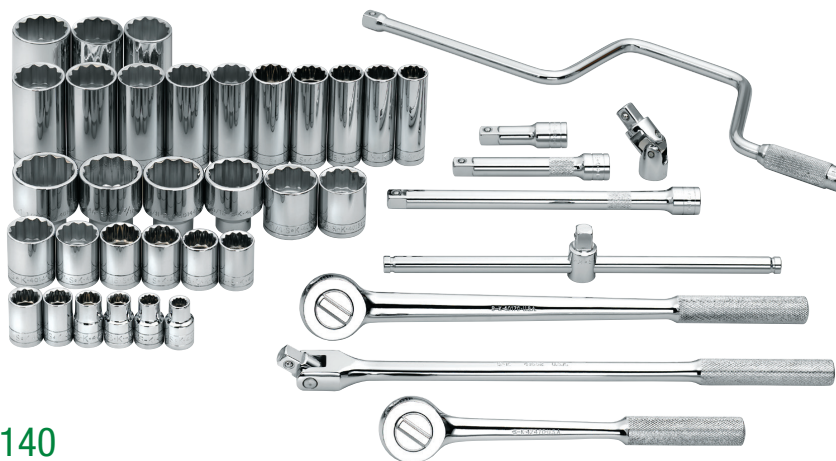
**No. 4130**

**30 Piece, 1/2" Drive, 12 Point, Standard and Deep Fractional Socket Set Includes:**

STANDARD SOCKETS	SIZE	STANDARD SOCKETS	SIZE	DEEP SOCKETS	SIZE	DEEP SOCKETS	SIZE
40212	3/8"	40126	13/16"	40816	1/2"	40830	15/16"
40214	7/16"	40128	7/8"	40818	9/16"	40832	1"
40216	1/2"	40130	15/16"	40820	5/8"	40834	1 1/16"
40218	9/16"	40132	1"	40822	11/16"	40836	1 1/8"
40120	5/8"	40134	1 1/16"	40824	3/4"	40840	1 1/4"
40122	11/16"	40136	1 1/8"	40826	13/16"		
40124	3/4"	40140	1 1/4"	40828	7/8"		
42470	10.3" Ratchet			40161	2" Extension		
41652	16" Flex Handle			40162	5" Extension		

Packaged in an impact resistant molded tool chest.

**SOCKETS, RATCHETS, AND BITS**



**No. 4140**

**40 Piece, 1/2" Drive, 12 Point, Standard and Deep Fractional Socket Set Includes:**

STANDARD SOCKETS	SIZE	STANDARD SOCKETS	SIZE	STANDARD SOCKETS	SIZE	DEEP SOCKETS	SIZE	DEEP SOCKETS	SIZE	DEEP SOCKETS	SIZE
40212	3/8"	40124	3/4"	40136	1 1/8"	40816	1/2"	40828	7/8"	40840	1 1/4"
40214	7/16"	40126	13/16"	40140	1 1/4"	40818	9/16"	40830	15/16"		
40216	1/2"	40128	7/8"	40142	1 5/16"	40820	5/8"	40832	1"		
40218	9/16"	40130	15/16"	40144	1 3/8"	40822	11/16"	40834	1 1/16"		
40120	5/8"	40132	1"	40146	1 7/16"	40824	3/4"	40836	1 1/8"		
40122	11/16"	40134	1 1/16"	40148	1 1/2"	40826	13/16"	40838	1 3/16"		
42470	10.3" Ratchet			40150	Sliding T-Handle			40159	3" Extension		
40170	15" Ratchet			40181	Speeder Handle			40161	5" Extension		
41652	16" Flex Handle			40190	Universal Joint			40162	10" Extension		

Packaged in an impact resistant molded tool chest.

## Standard Sockets

### Made in the U.S.A.

You can count on the quality workmanship and value of these American made sockets.



### SureGrip® Drive Design

The SureGrip® Drive Design drives the side of the fastener, not the corner. This not only provides increased strength, but also avoids the rounding of rusted or damaged fasteners, which can occur when using a sharp-cornered hex tool.

### SuperKrome® Finish

High polish SuperKrome® plating results in a jewelry-like finish, providing long life and maximum corrosion resistance.



## No. 1933

### 33 Piece, 1/2" Drive, 12 Point, Deep Metric Socket Set Includes:

STANDARD SOCKETS	SIZE	STANDARD SOCKETS	SIZE	STANDARD SOCKETS	SIZE	STANDARD SOCKETS	SIZE	DEEP SOCKETS	SIZE	DEEP SOCKETS	SIZE
40310	10mm	40315	15mm	40320	20mm	40325	25mm	48010	10mm	48015	15mm
40311	11mm	40316	16mm	40321	21mm	40326	26mm	48011	11mm	48016	16mm
40312	12mm	40317	17mm	40322	22mm	40327	27mm	48012	12mm	48017	17mm
40313	13mm	40318	18mm	40323	23mm	40328	28mm	48013	13mm	48018	18mm
40314	14mm	40319	19mm	40324	24mm			48014	14mm	48019	19mm
42470	10.3" Ratchet			40161	5" Extension			40162 10" Extension			
41652	16" Flex Handle										

Packaged in an impact resistant molded tool chest.



## No. 1942

### 54 Piece, 1/2" Drive, 12 Point, Deep Metric Socket Set Includes:

STANDARD SOCKETS	SIZE	STANDARD SOCKETS	SIZE	STANDARD SOCKETS	SIZE	STANDARD SOCKETS	SIZE	DEEP SOCKETS	SIZE	DEEP SOCKETS	SIZE	DEEP SOCKETS	SIZE	DEEP SOCKETS	SIZE
40310	10mm	40316	16mm	40322	22mm	40328	28mm	48010	10mm	48016	16mm	48022	22mm	48028	28mm
40311	11mm	40317	17mm	40323	23mm	40329	29mm	48011	11mm	48017	17mm	48023	23mm	48030	30mm
40312	12mm	40318	18mm	40324	24mm	40330	30mm	48012	12mm	48018	18mm	48024	24mm	48032	32mm
40313	13mm	40319	19mm	40325	25mm	40331	31mm	48013	13mm	48019	19mm	48025	25mm		
40314	14mm	40320	20mm	40326	26mm	40332	32mm	48014	14mm	48020	20mm	48026	26mm		
40315	15mm	40321	21mm	40327	27mm	40336	36mm	48015	15mm	48021	21mm	48027	27mm		
42470	10.3" Ratchet			40150 Sliding T-Handle				40190 Universal Joint				40161 3" Extension			
40170	15" Ratchet			40181 Speeder Handle				40159 3" Extension				40162 10" Extension			
41652	16" Flex Handle														

Packaged in an impact resistant molded tool chest.