

No. 86850A-1

850 Pc. Senior Mechanics Tool Set

MASTER SETS

PART NO.	SET COUNT	DESCRIPTION
40972	1	¼" Drive Pro Flex Head Ratchet
49270	1	¼" Drive Thumbwheel Ratchet
4916T	6	¼" Drive Extension Set
40990	1	¼" Drive Universal Joint
4506	5	¼", ⅜" and ½" Drive Adapter Set
91844	44	¼" Drive 6 Point Standard and Deep Fract./Met. Socket Set
4934	7	¼" Drive 6 Point Flex Fractional Socket Set
1337	12	¼" Drive 6 Point Flex Metric Socket Set
89039	33	¼" and ⅜" Drive Master Bit Socket Set
19763	35	¼", ⅜", and ½" Drive TORX® Bit Socket SuperSet®
45183	1	⅜" Drive Pro Flex Head Ratchet
45178	1	⅜" Drive Pro Stubby Ratchet
4514	4	⅜" Drive Extension Set
4524	4	⅜" Drive Wobble Extension Set
45190	1	⅜" Drive Universal Joint
94549	49	⅜" Drive 6 Point Fractional/Metric Socket Set with Universal Joint
4607	7	⅜" Drive 6 Point Flex Fractional Socket Set
3910	10	⅜" Drive 6 Point Flex Metric Socket Set
19704	4	⅜" and ½" Drive Triple Square Bit Socket Set
19781	11	⅜" Drive Male and Female Pipe Plug Socket Set
42470	1	½" Drive 10.3" Pro Ratchet
40170	1	½" Drive 15" Pro Ratchet
42472	1	½" Drive Pro Flex Head Ratchet
41652	1	½" Drive Pro Stubby Ratchet
4114	3	½" Drive Extension Set
4121	19	½" Drive 12 Point Standard Fractional Socket Set
4819	19	½" Drive 12 Point Deep Fractional Socket Set
1959	19	½" Drive 6 Point Standard Metric Socket Set
1947	21	½" Drive 6 Point Deep Metric Socket Set
19798	8	½" Drive Male Pipe Plug Socket Set
4725	25	¾" Drive 12 Point Standard Fractional Socket Set
19766	6	¾" Drive Fractional Ball Hex Bit Socket Set
19752	8	¾" Drive Metric Ball Hex Bit Socket Set
19726	6	¾" Drive Metric Long Ball Hex Bit Socket Set
45674	3	¾" Drive Impact Extension Set
33990	1	¾" Drive Impact Universal Joint
4058	8	¾" Drive 6 Point Standard Fractional Impact Socket Set
4062	12	¾" Drive 6 Point Standard Metric Impact Socket Set
4078	8	¾" Drive 6 Point Deep Fractional Impact Socket Set
4082	12	¾" Drive 6 Point Deep Metric Impact Socket Set
33300	8	¾" Drive 6 Point Standard Fractional Swivel Impact Socket Set
33350	15	¾" Drive 6 Point Standard Metric Swivel Impact Socket Set
46170	1	½" Drive 3" Impact Extension with Ball Retainer
46171	1	½" Drive 5" Impact Extension with Ball Retainer
34990	1	½" Drive Impact Universal Joint
4039	19	½" Drive 6 Point Standard Fractional Impact Socket Set
4049	19	½" Drive 6 Point Deep Fractional Impact Socket Set
4037	25	½" Drive 6 Point Standard Metric Impact Socket Set
4047	26	½" Drive 6 Point Deep Metric Impact Socket Set
34300	13	½" Drive 6 Point Standard Fractional Swivel Impact Socket Set

PART NO.	SET COUNT	DESCRIPTION
34350	15	½" Drive 6 Point Standard Metric Swivel Impact Socket Set
46125	1	½" Drive Fractional Flip Impact Socket
46119	1	½" Drive Metric Flip Impact Socket
756	16	½" Drive TurboSocket® Set
803	13	⅜" Drive TurboSocket® Set
4498	8	Spark Plug Socket Set
86043	23	6 and 12 Point SuperKrome® Fractional Combination Wrench Set
86225	23	12 Point SuperKrome® Metric Combination Wrench Set
86017	13	12 Point SuperKrome® Fractional Long Pattern Combination Wrench Set
86037	19	12 Point SuperKrome® Metric Long Pattern Combination Wrench Set
86231	11	12 Point SuperKrome® Fractional Short Pattern Combination Wrench Set
86240	10	12 Point SuperKrome® Metric Short Pattern Combination Wrench Set
86241	5	12 Point SuperKrome® Metric Short Pattern Combination Wrench Set
386	5	SuperKrome® Fractional 15° Offset Flare Nut Wrench Set
378	6	SuperKrome® Fractional 15° Offset Flare Nut Wrench Set
4508	10	Fractional Flare Nut Crowfoot Wrench Set
4511	11	Metric Flare Nut Crowfoot Wrench Set
8008	1	8" Adjustable Wrench
8012	1	12" Adjustable Wrench
8015	1	15" Adjustable Wrench
77250	9	Adjustable Micrometer Torque Wrench 25–250 ft. lb.
86320	6	SureGrip® Screwdriver Set
86321	5	SureGrip® Long Reach Screwdriver Set
86322	5	SureGrip® Heavy Duty Screwdriver Set
86323	7	SureGrip® TORX® Screwdriver Set
86325	4	SureGrip® Stubby Screwdriver Set
19613	13	Fractional Ball Hex Key Set
19609	9	Metric Ball Hex Key Set
7509	1	9½" V-Jaw Tongue and Groove Pliers
7511	1	10½" V-Jaw Tongue and Groove Pliers
7516	1	16" Tongue and Groove Pliers
7210	1	10" Slip Joint Pliers
16315	1	6" Curved Chain Nose Pliers without Cutter
17835	5	General Purpose Pliers Set
17832	2	Extra Long Needle Nose Pliers Set
7612	12	Convertible Retaining Ring Pliers Set
7695	1	Wire Cutter/Stripper
8616	1	12" 16 oz Soft Face Hammer
8516	1	12" 12 oz Ball Peen Hammer
8542	1	13.5" Cross Peen Hammer with Hickory Handle
6020	20	Punch and Chisel Set
6069	9	Roll Pin Punch Set
6093	3	Pry Bar Set

No. 86650A-1

650 Pc. Senior Mechanics Tool Set

MASTER SETS

PART NO.	SET COUNT	DESCRIPTION
40972	1	¼" Drive Pro Flex Head Ratchet
49270	1	¼" Drive Thumbwheel Ratchet
4916T	6	¼" Drive Extension Set
40990	1	¼" Drive Universal Joint
4506	5	¼", ⅜" and ½" Drive Adapter Set
91844	44	¼" Drive 6 Point Standard and Deep Fractional/Metric Socket Set
4934	7	¼" Drive 6 Point Flex Fractional Socket Set
1337	12	¼" Drive 6 Point Flex Metric Socket Set
84213	13	¼", ⅜" and ½" Drive Female TORX® Socket Set
19769	9	¼" and ⅜" Tamper-Proof TORX® Bit Socket Set
19760	10	¼", ⅜" and ½" Drive Female TORX® Socket Set
45183	1	⅜" Drive Pro Flex Head Ratchet
45178	1	⅜" Drive Pro Stubby Ratchet
4514	4	⅜" Drive Extension Set
4524	4	⅜" Drive Wobble Extension Set
45190	1	⅜" Drive Universal Joint
94549	49	⅜" Drive 6 Point Fractional/Metric Socket Set with Universal Joint
4607	7	⅜" Drive 6 Point Flex Fractional Socket Set
3910	10	⅜" Drive 6 Point Flex Metric Socket Set
19733	9	⅜" and ½" Drive Fractional Hex Bit Socket Set
41255	5	½" Drive Fractional Hex Bit Socket Set
19734	9	⅜" and ½" Drive Metric Hex Bit Socket Set
19704	4	⅜" and ½" Drive Triple Square Bit Socket Set
19781	11	⅜" Drive Male and Female Pipe Plug Socket Set
42470	1	½" Drive 10.3" Pro Ratchet
40170	1	½" Drive 15" Pro Ratchet
42472	1	½" Drive Pro Flex Head Ratchet
41652	1	½" Drive Pro Stubby Ratchet
4114	3	½" Drive Extension Set
4122	15	½" Drive 12 Point Standard Fractional Socket Set
4815	15	½" Drive 12 Point Deep Fractional Socket Set
1959	19	½" Drive 6 Point Standard Metric Socket Set
1945	15	½" Drive 6 Point Deep Metric Socket Set
33990	1	⅝" Drive Impact Universal Joint
4058	8	⅝" Drive 6 Point Standard Fractional Swivel Impact Socket Set
4062	12	⅝" Drive 6 Point Standard Metric Impact Socket Set
4078	8	⅝" Drive 6 Point Deep Fractional Impact Socket Set
4082	12	⅝" Drive 6 Point Deep Metric Impact Socket Set
33300	8	⅝" Drive 6 Point Standard Fractional Swivel Impact Socket Set
33351	10	⅝" Drive 6 Point Standard Metric Swivel Impact Socket Set
46170	1	½" Drive 3" Impact Extension with Ball Retainer
46171	1	½" Drive 5" Impact Extension with Ball Retainer
34990	1	½" Drive Impact Universal Joint
4035	15	½" Drive 6 Point Standard Fractional Impact Socket Set
4045	15	½" Drive 6 Point Deep Fractional Impact Socket Set

PART NO.	SET COUNT	DESCRIPTION
4037	25	½" Drive 6 Point Standard Metric Impact Socket Set
4048	15	½" Drive 6 Point Deep Metric Impact Socket Set
46125	1	½" Drive Fractional Flip Impact Socket
46119	1	½" Drive Metric Flip Impact Socket
756	16	½" Drive TurboSocket® Set
86013	13	6 and 12 Point SuperKrome® Fractional Combination Wrench Set
86223	16	12 Point SuperKrome® Metric Combination Wrench Set
86016	9	12 Point SuperKrome® Fractional Long Pattern Combination Wrench Set
86040	12	12 Point SuperKrome® Metric Long Pattern Combination Wrench Set
86231	11	12 Point SuperKrome® Fractional Short Pattern Combination Wrench Set
86240	10	12 Point SuperKrome® Metric Short Pattern Combination Wrench Set
386	5	SuperKrome® Fractional 15° Offset Flare Nut Wrench Set
378	6	SuperKrome® Fractional 15° Offset Flare Nut Wrench Set
4508	10	Fractional Flare Nut Crowfoot Wrench Set
4511	11	Metric Flare Nut Crowfoot Wrench Set
8008	1	8" Adjustable Wrench
8012	1	12" Adjustable Wrench
8015	1	15" Adjustable Wrench
77250	1	Adjustable Micrometer Torque Wrench, 20–250 ft. lb.
86320	6	SureGrip® Screwdriver Set
86321	5	SureGrip® Long Reach Screwdriver Set
86322	5	SureGrip® Heavy Duty Screwdriver Set
19613	13	Fractional Ball Hex Key Set
19609	9	Metric Ball Hex Key Set
16315	1	6" Curved Chain Nose Pliers without Cutter
17835	5	General Purpose Pliers Set
17832	2	Extra Long Needle Nose Pliers Set
7509	1	9½" Tongue and Groove Pliers V-Jaw
7511	1	10½" Tongue and Groove Pliers V-Jaw
7516	1	16" Tongue and Groove Pliers
7210	1	10" Slip Joint Pliers
7612	12	Convertible Retaining Ring Pliers Set
7695	1	Wire Cutter/Stripper
15032	1	8" Battery Cable Cutter
8616	1	12" 16 oz. Soft Face Hammer
8516	1	12" 12 oz. Ball Peen Hammer
6020	20	Punch and Chisel Set
6069	9	Roll Pin Punch Set
6093	3	Pry Bar Set

Professional Ratchets

Made in the U.S.A.

You can count on the quality workmanship and value of these American made sockets.



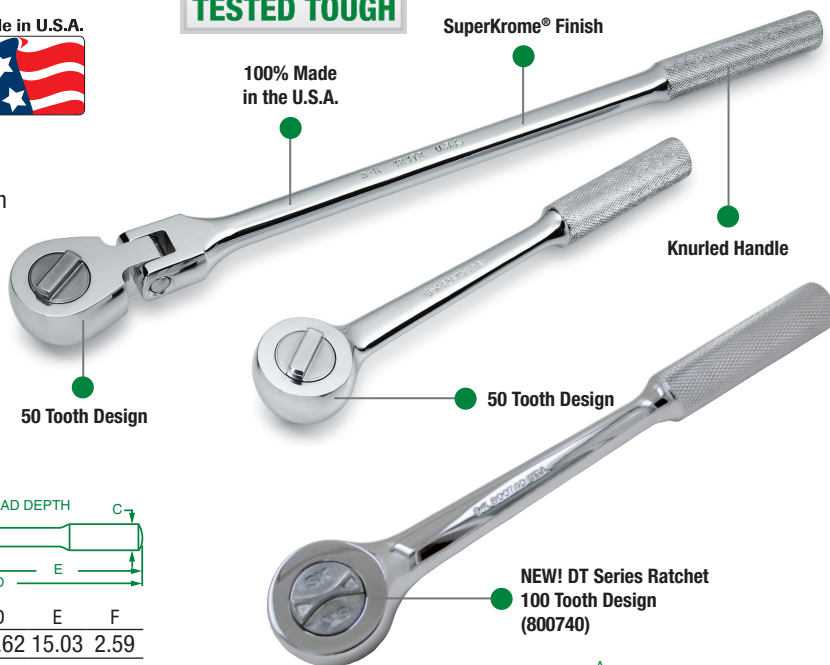
Smooth Ratcheting Action

Completely enclosed ratchet mechanism with triple tooth contact for smooth ratcheting action with little back movement. Diamond knurled grip for sure handling.

SuperKrome® Finish

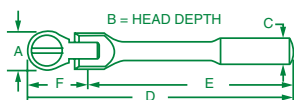
High polish SuperKrome® plating results in a jewelry-like finish, providing long life and maximum corrosion resistance.

**SUPERKROME
TESTED TOUGH**



SOCKETS, RATCHETS, AND BITS

1/2" Drive Professional Flex Head Ratchet



PART NO.	SIZE	A	B	C	D	E	F
42472	17.6"	1.86	0.80	0.75	17.62	15.03	2.59

Rebuild and Repair Kits for 42472

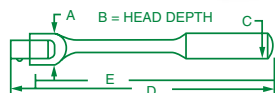
REBUILD KIT* PART NO.	REPAIR KIT** PART NO.
42470-2	42470-9

*Kit Includes: Cap, Inner Body, Clip Spring and Grease

**Kit Includes: Pawl, Stem Pin, Clip Spring and Grease



1/2" Drive Flex Head Handles



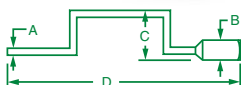
PART NO.	REPAIR KIT* PART NO.	REPAIR KIT** PART NO.	SIZE	A	B	C	D	E
41650	—	—	9"	1.10	0.87	0.75	9.00	7.95
41652	41653-9	41654-9A	16"	1.10	0.87	0.75	16.00	15.03
41654	41653-9	41654-9A	24"	1.10	0.87	1.00	23.50	22.50
41656	—	41654-9A	30"	1.10	0.87	1.02	30.62	30.00

*Kit Includes: Pin, Lockwasher, and Square Drive Head

**Kit Includes: Screw, Lockwasher, and Square Drive Head

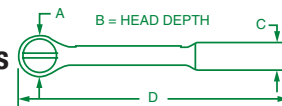


1/2" Drive Speeder Handle



PART NO.	SIZE	A	B	C	D
40181	18.1"	0.50	0.78	4.53	18.12

1/2" Drive Reversible Ratchets



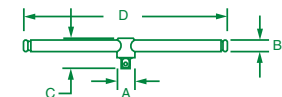
PART NO.	REBUILD KIT* PART NO.	REPAIR KIT** PART NO.	SIZE	A	B	C	D
42470	42470-2	42470-9	10.3"	1.85	0.80	0.84	10.25
40170	42470-2	42470-9	15"	1.94	0.80	0.81	15.06
800740	800740-2	—	10.3"	1.85	0.80	0.84	10.25

*Kit Includes: Cap, Inner Body, Clip Spring and Grease

**Kit Includes: Pawl, Stem Pin, Clip Spring and Grease



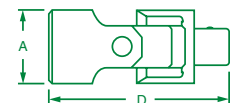
1/2" Drive Sliding T-Handle



PART NO.	SIZE	A	B	C	D
40150	10.8"	0.91	0.55	1.61	10.83



1/2" Drive Universal Joint



PART NO.	A	D
40190	1.00	2.61



**SUPERKROME
TESTED TOUGH**

No. 4123

23 Piece, 1/2" Drive, 12 Point, Standard and Deep Fractional Socket Set Includes:

STANDARD SOCKETS	SIZE	STANDARD SOCKETS	SIZE	DEEP SOCKETS	SIZE	DEEP SOCKETS	SIZE
40214	7/16"	40128	7/8"	40816	1/2"	40824	3/4"
40216	1/2"	40130	15/16"	40818	9/16"	40826	13/16"
40218	9/16"	40132	1"	40820	5/8"	40828	7/8"
40120	5/8"	40134	1 1/16"	40822	11/16"		
40122	11/16"	40136	1 1/8"				
40124	3/4"	40140	1 1/4"				
40126	13/16"						
42470 10.3" Ratchet				40161 5" Extension			
41652 16" Flex Handle							

Packaged in a molded plastic case.



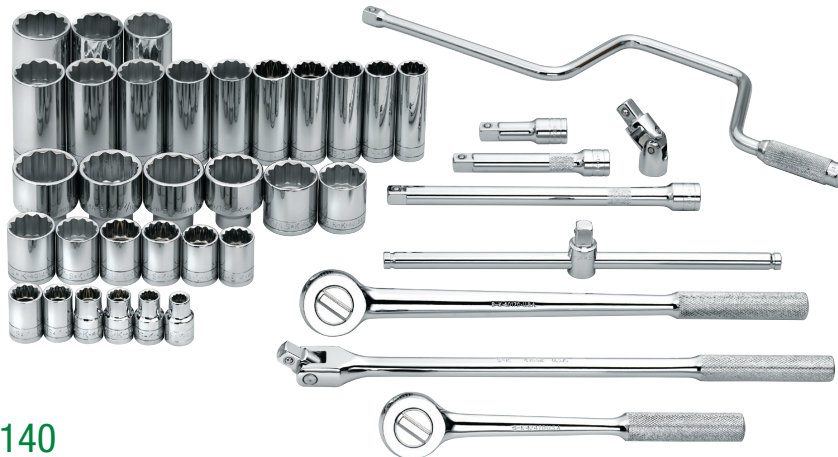
No. 4130

30 Piece, 1/2" Drive, 12 Point, Standard and Deep Fractional Socket Set Includes:

STANDARD SOCKETS	SIZE	STANDARD SOCKETS	SIZE	DEEP SOCKETS	SIZE	DEEP SOCKETS	SIZE
40212	3/8"	40126	13/16"	40816	1/2"	40830	15/16"
40214	7/16"	40128	7/8"	40818	9/16"	40832	1"
40216	1/2"	40130	15/16"	40820	5/8"	40834	1 1/16"
40218	9/16"	40132	1"	40822	11/16"	40836	1 1/8"
40120	5/8"	40134	1 1/16"	40824	3/4"	40840	1 1/4"
40122	11/16"	40136	1 1/8"	40826	13/16"		
40124	3/4"	40140	1 1/4"	40828	7/8"		
42470 10.3" Ratchet				40161 2" Extension			
41652 16" Flex Handle				40162 5" Extension			

Packaged in an impact resistant molded tool chest.

SOCKETS, RATCHETS, AND BITS



No. 4140

40 Piece, 1/2" Drive, 12 Point, Standard and Deep Fractional Socket Set Includes:

STANDARD SOCKETS	SIZE	STANDARD SOCKETS	SIZE	STANDARD SOCKETS	SIZE	DEEP SOCKETS	SIZE	DEEP SOCKETS	SIZE	DEEP SOCKETS	SIZE
40212	3/8"	40124	3/4"	40136	1 1/8"	40816	1/2"	40828	7/8"	40840	1 1/4"
40214	7/16"	40126	13/16"	40140	1 1/4"	40818	9/16"	40830	15/16"		
40216	1/2"	40128	7/8"	40142	1 5/16"	40820	5/8"	40832	1"		
40218	9/16"	40130	15/16"	40144	1 3/8"	40822	11/16"	40834	1 1/16"		
40120	5/8"	40132	1"	40146	1 7/16"	40824	3/4"	40836	1 1/8"		
40122	11/16"	40134	1 1/16"	40148	1 1/2"	40826	13/16"	40838	1 3/16"		
42470 10.3" Ratchet				40150 Sliding T-Handle				40159 3" Extension			
40170 15" Ratchet				40181 Speeder Handle				40161 5" Extension			
41652 16" Flex Handle				40190 Universal Joint				40162 10" Extension			

Packaged in an impact resistant molded tool chest.

Standard Sockets

Made in the U.S.A.

You can count on the quality workmanship and value of these American made sockets.



SureGrip® Drive Design

The SureGrip® Drive Design drives the side of the fastener, not the corner. This not only provides increased strength, but also avoids the rounding of rusted or damaged fasteners, which can occur when using a sharp-cornered hex tool.

SuperKrome® Finish

High polish SuperKrome® plating results in a jewelry-like finish, providing long life and maximum corrosion resistance.



No. 1933

33 Piece, 1/2" Drive, 12 Point, Deep Metric Socket Set Includes:

STANDARD SOCKETS	SIZE	STANDARD SOCKETS	SIZE	STANDARD SOCKETS	SIZE	STANDARD SOCKETS	SIZE	DEEP SOCKETS	SIZE	DEEP SOCKETS	SIZE
40310	10mm	40315	15mm	40320	20mm	40325	25mm	48010	10mm	48015	15mm
40311	11mm	40316	16mm	40321	21mm	40326	26mm	48011	11mm	48016	16mm
40312	12mm	40317	17mm	40322	22mm	40327	27mm	48012	12mm	48017	17mm
40313	13mm	40318	18mm	40323	23mm	40328	28mm	48013	13mm	48018	18mm
40314	14mm	40319	19mm	40324	24mm			48014	14mm	48019	19mm
42470	10.3" Ratchet			40161	5" Extension			40162 10" Extension			
41652	16" Flex Handle										

Packaged in an impact resistant molded tool chest.



No. 1942

54 Piece, 1/2" Drive, 12 Point, Deep Metric Socket Set Includes:

STANDARD SOCKETS	SIZE	STANDARD SOCKETS	SIZE	STANDARD SOCKETS	SIZE	STANDARD SOCKETS	SIZE	DEEP SOCKETS	SIZE	DEEP SOCKETS	SIZE	DEEP SOCKETS	SIZE	DEEP SOCKETS	SIZE
40310	10mm	40316	16mm	40322	22mm	40328	28mm	48010	10mm	48016	16mm	48022	22mm	48028	28mm
40311	11mm	40317	17mm	40323	23mm	40329	29mm	48011	11mm	48017	17mm	48023	23mm	48030	30mm
40312	12mm	40318	18mm	40324	24mm	40330	30mm	48012	12mm	48018	18mm	48024	24mm	48032	32mm
40313	13mm	40319	19mm	40325	25mm	40331	31mm	48013	13mm	48019	19mm	48025	25mm		
40314	14mm	40320	20mm	40326	26mm	40332	32mm	48014	14mm	48020	20mm	48026	26mm		
40315	15mm	40321	21mm	40327	27mm	40336	36mm	48015	15mm	48021	21mm	48027	27mm		
42470	10.3" Ratchet			40150 Sliding T-Handle				40190 Universal Joint				40161 3" Extension			
40170	15" Ratchet			40181 Speeder Handle				40159 3" Extension				40162 10" Extension			
41652	16" Flex Handle														

Packaged in an impact resistant molded tool chest.

Ratchet Rebuild Kit



Ratchet Repair Kit



Rebuild and Repair Kits for Professional Bent, Slim, Reversible, and Flex Ratchets

PART NO.	DRIVE	DESCRIPTION	REBUILD KIT* PART NO.	REPAIR KIT** PART NO.	PIN, LOCKWASHER PART NO.	SCREW, WASHER PART NO.
40970	1/4"	4.5" Professional Reversible Ratchet	40970-2	40970-9A	—	—
40972	1/4"	6.3" Professional Flex Head Ratchet	40970-2	40970-9A	—	—
40971	1/4"	6.5" Professional Reversible Ratchet	40970-2	40970-9A	—	—
800700	1/4"	4.5" DT 120 Ratchet	800700-2	—	—	—
45173	3/8"	4.5" Professional Reversible Slim Ratchet	45173-2	40970-9A	—	—
45174	3/8"	4.8" Professional Reversible Stubby Ratchet	45170-2	45170-9	—	—
45178	3/8"	5" Professional Stubby Flex Head Ratchet	45170-2	45170-9	3770-9	3770-9A
3767	3/8"	6.3" Professional Slim Flex Head Ratchet	45173-2	40970-9A	—	—
45171	3/8"	6.5" Professional Reversible Slim Ratchet	45173-2	40970-9A	—	—
45170	3/8"	7.6" Professional Reversible Ratchet	45170-2	45170-9	—	—
45179	3/8"	10.3" Professional Reversible Ratchet	45170-2	45170-9	—	—
3770	3/8"	10.8" Professional Bent Flex Head Ratchet	45170-2	45170-9	3770-9	3770-9A
45183	3/8"	10.9" Professional Flex Head Ratchet	45170-2	45170-9	3770-9	3770-9A
45172	3/8"	Professional Thumbwheel Ratchet	45173-2	40970-9A	—	—
800720	3/8"	7.6" DT 80 Ratchet	800720-2	—	—	—
42470	1/2"	10.3" Professional Reversible Ratchet	42470-2	42470-9	—	—
40170	1/2"	15" Professional Reversible Ratchet	42470-2	42470-9	—	—
42472	1/2"	17.6" Professional Flex Head Ratchet	42470-2	42470-9	41653-9	41654-9A
800740	1/2"	10.3 DT 100 Ratchet	800740-2	—	—	—
47170	3/4"	18" Professional Reversible Ratchet	47170-2	47170-9	—	—

*Kit Includes: Cap, Inner Body, Clip Spring and Grease

**Kit Includes: Pawl, Stem Pin, Clip Spring and Grease

Repair Kits for Flex Head and Sliding T-Handles

PART NO.	DRIVE	DESCRIPTION	REPAIR KIT PART NO.	REPAIR KIT INCLUDES
41652	1/2"	16" Flex Head Handle	41653-9	Pin, Lockwasher, and Square Drive Head
41652	1/2"	16" Flex Head Handle	41654-9A	Screw, Lockwasher, and Square Drive Head
41654	1/2"	24" Flex Head Handle with Indexing Head	41653-9	Pin, Lockwasher, and Square Drive Head
41654	1/2"	24" Flex Head Handle with Indexing Head	41654-9A	Screw, Lockwasher, and Square Drive Head
45152	3/8"	10" Flex Head Handle	45152-9A	Screw, Lockwasher, and Square Drive Head
40952	1/4"	5.4" Flex Head Handle	40952-9A	Screw, Lockwasher, and Square Drive Head
47155	3/4"	18" Flex Head Handle	47155-9	Screw, Lockwasher, and Square Drive Head

Screw Kit



Pin Kit



Repair Parts for Spark Plug Sockets

PART NO.	DRIVE	DESCRIPTION	REPAIR KIT PART NO.	REPAIR KIT INCLUDES
4420	3/8"	5/8" Spark Plug Socket	4447	5/8" x 3/4" Rubber Insert
4424	3/8"	3/4" Spark Plug Socket	4447	5/8" x 3/4" Rubber Insert
4426	3/8"	13/16" Spark Plug Socket	4448	3/16" Rubber Insert
4421	3/8"	5/8" Extra Long Spark Plug Socket	4447	5/8" x 3/4" Rubber Insert
4480	3/8"	5/8" Flex Spark Plug Socket	4447	5/8" x 3/4" Rubber Insert
4490	3/8"	13/16" Flex Spark Plug Socket	4448	3/16" Rubber Insert
4820	1/2"	5/8" Spark Plug Socket	4447	5/8" x 3/4" Rubber Insert
4826	1/2"	13/16" Spark Plug Socket	4448	3/16" Rubber Insert

