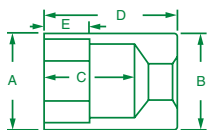


## Standard Sockets



### 1/2" Drive, 6 and 12 Point, Standard Fractional Sockets

6 POINT PART NO.	12 POINT PART NO.	HEX SIZE	A	B	C	D	E
40112	40212	3/8"	0.56	0.88	0.79	1.46	0.16
40114	40214	7/16"	0.64	0.88	0.77	1.46	0.22
40116	40216	1/2"	0.73	0.88	0.79	1.48	0.27
40118	40218	9/16"	0.80	0.88	0.80	1.48	0.33
—	40119	19/32"	0.88	0.88	0.85	1.48	0.44
41120	40120	5/8"	0.88	0.88	0.80	1.48	0.33
—	40121	21/32"	0.91	0.91	0.85	1.48	0.44
41122	40122	11/16"	0.97	0.97	0.80	1.48	0.38
41124	40124	3/4"	1.07	1.07	0.87	1.50	0.44
41126	40126	13/16"	1.13	1.13	0.87	1.50	0.46
41128	40128	7/8"	1.19	1.19	0.99	1.62	0.50
41130	40130	15/16"	1.25	1.25	0.99	1.62	0.53
41132	40132	1"	1.32	1.32	0.99	1.62	0.55
41134	40134	1 1/16"	1.44	1.44	1.05	1.72	0.63
41136	40136	1 1/8"	1.50	1.50	1.05	1.72	0.66
41138	40138	1 3/16"	1.63	1.63	1.05	1.72	0.66
41140	40140	1 1/4"	1.69	1.69	1.05	1.72	0.75
41142	40142	1 5/16"	1.88	1.88	1.00	2.06	0.81
41144	40144	1 3/8"	1.94	1.94	1.00	2.13	0.86
41146	40146	1 7/16"	2.06	2.06	1.00	2.19	0.91
41148	40148	1 1/2"	2.13	2.13	1.00	2.31	0.75



### No. 4113-6 13 Piece, 1/2" Drive, 6 Point, Standard Fractional Socket Set Includes:

PART NO.	SIZE	PART NO.	SIZE	PART NO.	SIZE	PART NO.	SIZE
40114	7/16"	41122	1 1/16"	41130	1 5/16"	41140	1 1/4"
40116	1/2"	41124	3/4"	41132	1"		
40118	9/16"	41126	1 3/16"	41134	1 1/16"		
41120	5/8"	41128	7/8"	41136	1 1/8"		

Packaged on a rail.



### No. 4120 19 Piece, 1/2" Drive, 6 Point, Standard Fractional Socket Set Includes:

PART NO.	SIZE	PART NO.	SIZE	PART NO.	SIZE	PART NO.	SIZE
40112	3/8"	41122	1 1/16"	41132	1"	41142	1 5/16"
40114	7/16"	41124	3/4"	41134	1 1/16"	41144	1 3/8"
40116	1/2"	41126	1 3/16"	41136	1 1/8"	41146	1 7/16"
40118	9/16"	41128	7/8"	41138	1 3/16"	41148	1 1/2"
41120	5/8"	41130	1 5/16"	41140	1 1/4"		

Packaged on a rail.



### No. 4122 15 Piece, 1/2" Drive, 12 Point, Standard Fractional Socket Set Includes:

PART NO.	SIZE	PART NO.	SIZE	PART NO.	SIZE	PART NO.	SIZE
40212	3/8"	40120	5/8"	40128	7/8"	40136	1 1/8"
40214	7/16"	40122	1 1/16"	40130	1 5/16"	40138	1 3/16"
40216	1/2"	40124	3/4"	40132	1"	40140	1 1/4"
40218	9/16"	40126	1 3/16"	40134	1 1/16"		

Packaged on a rail.



### No. 4121 19 Piece, 1/2" Drive, 12 Point, Standard Fractional Socket Set Includes:

PART NO.	SIZE	PART NO.	SIZE	PART NO.	SIZE	PART NO.	SIZE
40212	3/8"	40122	1 1/16"	40132	1"	40142	1 5/16"
40214	7/16"	40124	3/4"	40134	1 1/16"	40144	1 3/8"
40216	1/2"	40126	1 3/16"	40136	1 1/8"	40146	1 7/16"
40218	9/16"	40128	7/8"	40138	1 3/16"	40148	1 1/2"
40120	5/8"	40130	1 5/16"	40140	1 1/4"		

Packaged on a rail.



**SUPERKROME  
TESTED TOUGH**

**No. 4123**

**23 Piece, 1/2" Drive, 12 Point, Standard and Deep Fractional Socket Set Includes:**

STANDARD SOCKETS	SIZE	STANDARD SOCKETS	SIZE	DEEP SOCKETS	SIZE	DEEP SOCKETS	SIZE
40214	7/16"	40128	7/8"	40816	1/2"	40824	3/4"
40216	1/2"	40130	15/16"	40818	9/16"	40826	13/16"
40218	9/16"	40132	1"	40820	5/8"	40828	7/8"
40120	5/8"	40134	1 1/16"	40822	11/16"		
40122	11/16"	40136	1 1/8"				
40124	3/4"	40140	1 1/4"				
40126	13/16"						
42470 10.3" Ratchet				40161 5" Extension			
41652 16" Flex Handle							

Packaged in a molded plastic case.



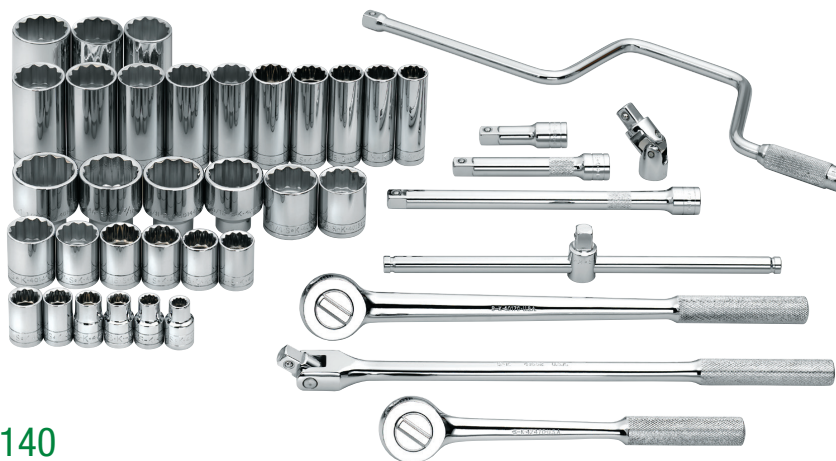
**No. 4130**

**30 Piece, 1/2" Drive, 12 Point, Standard and Deep Fractional Socket Set Includes:**

STANDARD SOCKETS	SIZE	STANDARD SOCKETS	SIZE	DEEP SOCKETS	SIZE	DEEP SOCKETS	SIZE
40212	3/8"	40126	13/16"	40816	1/2"	40830	15/16"
40214	7/16"	40128	7/8"	40818	9/16"	40832	1"
40216	1/2"	40130	15/16"	40820	5/8"	40834	1 1/16"
40218	9/16"	40132	1"	40822	11/16"	40836	1 1/8"
40120	5/8"	40134	1 1/16"	40824	3/4"	40840	1 1/4"
40122	11/16"	40136	1 1/8"	40826	13/16"		
40124	3/4"	40140	1 1/4"	40828	7/8"		
42470 10.3" Ratchet				40161 2" Extension			
41652 16" Flex Handle				40162 5" Extension			

Packaged in an impact resistant molded tool chest.

**SOCKETS, RATCHETS, AND BITS**



**No. 4140**

**40 Piece, 1/2" Drive, 12 Point, Standard and Deep Fractional Socket Set Includes:**

STANDARD SOCKETS	SIZE	STANDARD SOCKETS	SIZE	STANDARD SOCKETS	SIZE	DEEP SOCKETS	SIZE	DEEP SOCKETS	SIZE	DEEP SOCKETS	SIZE
40212	3/8"	40124	3/4"	40136	1 1/8"	40816	1/2"	40828	7/8"	40840	1 1/4"
40214	7/16"	40126	13/16"	40140	1 1/4"	40818	9/16"	40830	15/16"		
40216	1/2"	40128	7/8"	40142	1 5/16"	40820	5/8"	40832	1"		
40218	9/16"	40130	15/16"	40144	1 3/8"	40822	11/16"	40834	1 1/16"		
40120	5/8"	40132	1"	40146	1 7/16"	40824	3/4"	40836	1 1/8"		
40122	11/16"	40134	1 1/16"	40148	1 1/2"	40826	13/16"	40838	1 3/16"		
42470 10.3" Ratchet				40150 Sliding T-Handle				40159 3" Extension			
40170 15" Ratchet				40181 Speeder Handle				40161 5" Extension			
41652 16" Flex Handle				40190 Universal Joint				40162 10" Extension			

Packaged in an impact resistant molded tool chest.