



**SUPERKROME
TESTED TOUGH**

No. 4123

23 Piece, 1/2" Drive, 12 Point, Standard and Deep Fractional Socket Set Includes:

STANDARD SOCKETS	SIZE	STANDARD SOCKETS	SIZE	DEEP SOCKETS	SIZE	DEEP SOCKETS	SIZE
40214	7/16"	40128	7/8"	40816	1/2"	40824	3/4"
40216	1/2"	40130	15/16"	40818	9/16"	40826	13/16"
40218	9/16"	40132	1"	40820	5/8"	40828	7/8"
40120	5/8"	40134	1 1/16"	40822	11/16"		
40122	11/16"	40136	1 1/8"				
40124	3/4"	40140	1 1/4"				
40126	13/16"						
42470 10.3" Ratchet				40161 5" Extension			
41652 16" Flex Handle							

Packaged in a molded plastic case.



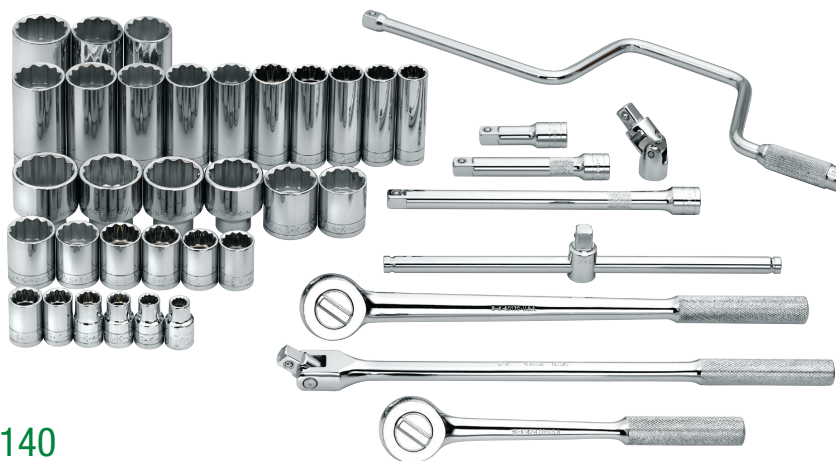
No. 4130

30 Piece, 1/2" Drive, 12 Point, Standard and Deep Fractional Socket Set Includes:

STANDARD SOCKETS	SIZE	STANDARD SOCKETS	SIZE	DEEP SOCKETS	SIZE	DEEP SOCKETS	SIZE
40212	3/8"	40126	13/16"	40816	1/2"	40830	15/16"
40214	7/16"	40128	7/8"	40818	9/16"	40832	1"
40216	1/2"	40130	15/16"	40820	5/8"	40834	1 1/16"
40218	9/16"	40132	1"	40822	11/16"	40836	1 1/8"
40120	5/8"	40134	1 1/16"	40824	3/4"	40840	1 1/4"
40122	11/16"	40136	1 1/8"	40826	13/16"		
40124	3/4"	40140	1 1/4"	40828	7/8"		
42470 10.3" Ratchet				40161 2" Extension			
41652 16" Flex Handle				40162 5" Extension			

Packaged in an impact resistant molded tool chest.

SOCKETS, RATCHETS, AND BITS



No. 4140

40 Piece, 1/2" Drive, 12 Point, Standard and Deep Fractional Socket Set Includes:

STANDARD SOCKETS	SIZE	STANDARD SOCKETS	SIZE	STANDARD SOCKETS	SIZE	DEEP SOCKETS	SIZE	DEEP SOCKETS	SIZE	DEEP SOCKETS	SIZE
40212	3/8"	40124	3/4"	40136	1 1/8"	40816	1/2"	40828	7/8"	40840	1 1/4"
40214	7/16"	40126	13/16"	40140	1 1/4"	40818	9/16"	40830	15/16"		
40216	1/2"	40128	7/8"	40142	1 5/16"	40820	5/8"	40832	1"		
40218	9/16"	40130	15/16"	40144	1 3/8"	40822	11/16"	40834	1 1/16"		
40120	5/8"	40132	1"	40146	1 7/16"	40824	3/4"	40836	1 1/8"		
40122	11/16"	40134	1 1/16"	40148	1 1/2"	40826	13/16"	40838	1 3/16"		
42470 10.3" Ratchet				40150 Sliding T-Handle				40159 3" Extension			
40170 15" Ratchet				40181 Speeder Handle				40161 5" Extension			
41652 16" Flex Handle				40190 Universal Joint				40162 10" Extension			

Packaged in an impact resistant molded tool chest.