

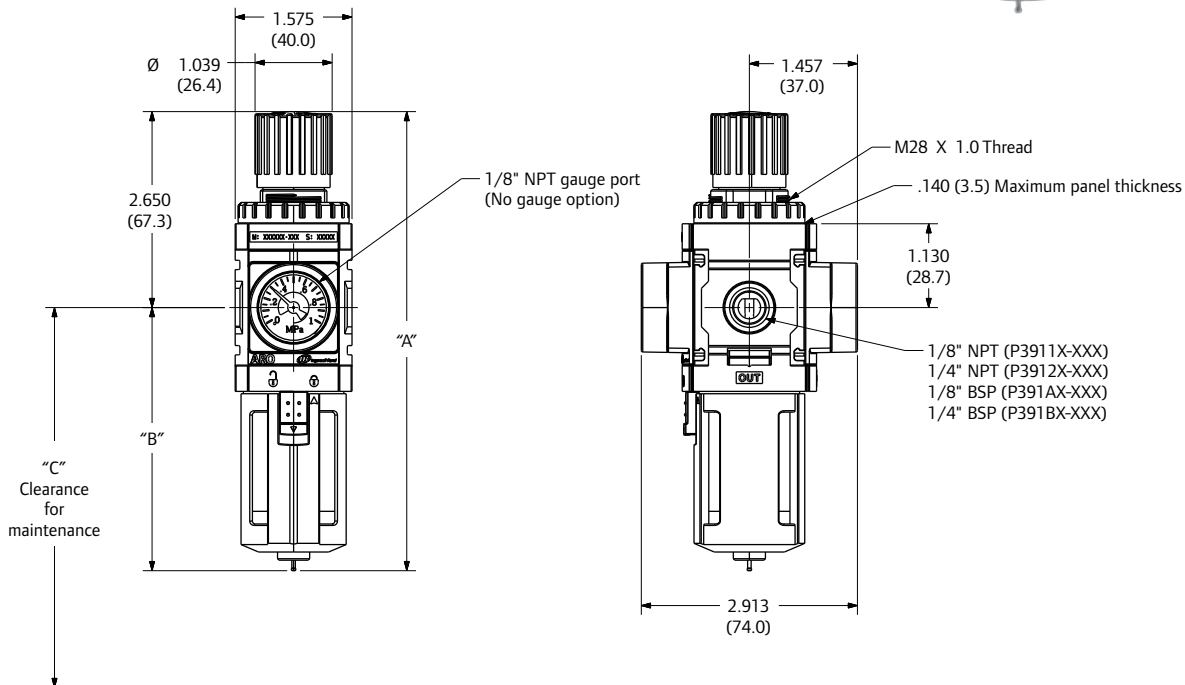
# 1000 Series piggyback filters / regulators

1/8" and 1/4" Ports

1000 Series

Technical data		
	POLYCARBONATE BOWL	METAL BOWL
Max inlet pressure (psi)	150	250
Temperature range (F)	23 – 125	23 – 175
Spring range options (psi)	0 – 30	
	0 – 60	
	0 – 140	
Bowl cap — manual drain (oz)	0.5	0.4
Bowl cap — auto drain (oz)	0.7	0.7
Gauge port	1/8"	
Flow capacity — 1/8" port*	43 scfm	
Flow capacity — 1/4" port*	47 scfm	

\*Inlet pressure 100 psi (6.9 bar), 90 psi set (6.2 bar), with 33 psi drop (2.3 bar)



MODELS	A (MM)	B (MM)	C (MM)	DRAIN OPTION
P391XX-XX0	6.197 (157.4)	3.547 (90.1)	5.122 (130.1)	MANUAL
P391XX-XX4	6.890 (175.0)	4.240 (107.7)	5.815 (147.7)	AUTOMATIC

### How to order

To configure the desired part number, use the chart below to select the port size, thread type, and configuration options.

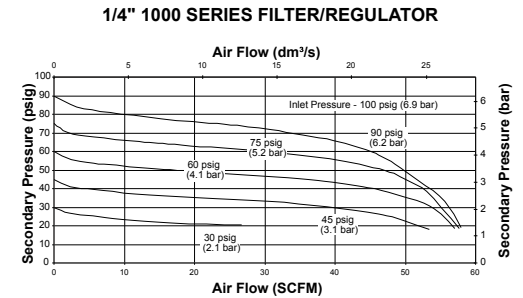
<p>Port size</p> <p><b>1/8" - P391 1</b></p> <p><b>1/4" - P391 2</b></p>	<p>Base model</p> <p><b>1</b> X - X X X</p> <p><b>2</b> X - X X X</p>	<p><b>Note:</b> Some menu combinations not available. Please consult price book to verify. Popular options are shown in <b>red</b> below.</p>
<p><b>Filter element</b></p> <p><b>4</b> 5-Micron</p>	<p><b>Pressure range PSIG</b></p> <p><b>1</b> 0 – 140 (no gauge)</p> <p><b>2</b> 0 – 60 (no gauge)</p> <p><b>4</b> 0 – 30 (no gauge)</p> <p><b>6</b> 0 – 140 w/ flush-mount gauge</p>	<p><b>Relieving bowl option</b></p> <p><b>0</b> Relieving / poly w/ guard</p> <p><b>2</b> Relieving / metal</p>
<p><b>Thread type</b></p> <p><b>1</b> 1/8" NPT</p> <p><b>2</b> 1/4" NPT</p> <p><b>A</b> 1/8" BSP</p> <p><b>B</b> 1/4" BSP</p>	<p><b>Control / drain option</b></p> <p><b>0</b> Standard knob / manual</p> <p><b>4</b> Standard knob / automatic</p>	

### Popular configurations

Port size NPT	Drain	Spring range psi	w/ Gauge	Model
<b>5 MICRON • POLYCARBONATE BOWL • RELIEVING</b>				
1/8"	Manual	0 – 140	No	P39114-100
1/8"	Manual	0 – 60	No	P39114-200
1/8"	Manual	0 – 30	No	P39114-400
1/8"	Manual	0 – 140	Yes	P39114-600
1/8"	Auto	0 – 60	No	P39114-204
1/4"	Manual	0 – 140	No	P39124-100
1/4"	Manual	0 – 60	No	P39124-200
1/4"	Manual	0 – 30	No	P39124-400
1/4"	Manual	0 – 140	Yes	P39124-600
1/4"	Auto	0 – 140	No	P39124-104
1/4"	Auto	0 – 60	No	P39124-204
1/4"	Auto	0 – 30	No	P39124-404
1/4"	Auto	0 – 140	Yes	P39124-604
<b>5 MICRON • METAL BOWL • RELIEVING</b>				
1/8"	Auto	0 – 60	Yes	P39114-624
1/4"	Manual	0 – 140	No	P39124-120
1/4"	Manual	0 – 140	Yes	P39124-620
1/4"	Auto	0 – 140	No	P39124-124

Adjustment range can exceed spring rating on 0-30 psi and 0-60 psi regulators. The working range of the adjustment knob is designed to permit outlet pressures beyond the spring ratings in the 0-30psi and 0-60psi models. The adjustment knob is not designed to be a pressure limiting device. Limiting devices may be obtained only by special design. For optimal performance, regulators should not be set to ranges outside the specified spring range.

### 1/4" Pressure drop test



See page 81 for additional flow charts

### Replacement parts

MODEL	DESCRIPTION
104293	Replacement auto drain*
104294	Replacement manual drain
104295	5-Micron element
104296	40-Micron element
104298	Poly bowl, manual drain
104299	Poly bowl, auto drain
104300	Metal bowl, manual drain
104301	Metal bowl, auto drain
104468	Filter bowl service kit (O-ring)
104217	Regulator service kit (relieving)
104548	Regulator service kit (non-relieving)
104304	Tamper kit
104305	0 – 30 psi Spring
104306	0 – 60 psi Spring
104307	0 – 140 psi Spring
104310	0 – 140 psi Gauge flush mount
104416	Panel Nut

\* Replacement auto drains can only be used with auto drain bowls.

### F + R + L Combinations

Port size NPT	Filter	Components Regulator	Lubricator	Model
<b>MANUAL DRAIN • METAL BOWL • RELIEVING • W/ GAUGE</b>				
1/8"	F35111-420	R37111-600	L36111-120	C38111-820
1/4"	F35121-420	R37121-600	L36121-120	C38121-820
<b>MANUAL DRAIN • POLYCARBONATE BOWL • RELIEVING • W/ GAUGE</b>				
1/8"	F35111-400	R37111-600	L36111-100	C38111-800
1/4"	F35121-400	R37121-600	L36121-100	C38121-800
<b>AUTO DRAIN • METAL BOWL • RELIEVING • W/ GAUGE</b>				
1/4"	F35121-421	R37121-600	L36121-120	C38121-821
<b>AUTO DRAIN • POLYCARBONATE BOWL • RELIEVING • W/ GAUGE</b>				
1/4"	F35121-401	R37121-600	L36121-100	C38121-801

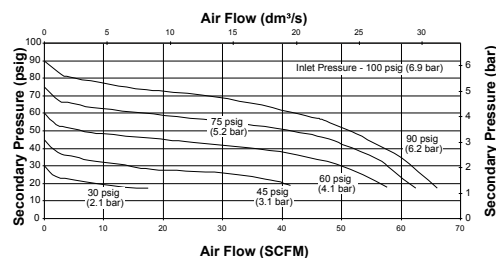
### F/R + L Combinations

Port size NPT	Filter-Regulator	Components Lubricator	Model
<b>MANUAL DRAIN • METAL BOWL • RELIEVING • W/ GAUGE</b>			
1/8"	P39114-620	L36111-120	C38111-620
1/4"	P39124-620	L36121-120	C38121-620
<b>MANUAL DRAIN • POLYCARBONATE BOWL • RELIEVING • W/ GAUGE</b>			
1/8"	P39114-600	L36111-100	C38111-600
1/4"	P39124-600	L36121-100	C38121-600
<b>AUTO DRAIN • METAL BOWL • RELIEVING • W/ GAUGE</b>			
1/4"	P39124-624	L36121-120	C38121-621
<b>AUTO DRAIN • POLYCARBONATE BOWL • RELIEVING • W/ GAUGE</b>			
1/4"	P39124-604	L36121-100	C38121-601

**Note:** Other combinations may be assembled by purchasing the individual components separately. Modular connector kits are required to connect the individual units together.

### 1/4" Pressure drop test

1/4" 1000 SERIES F-R-L COMBO



See page 81 for additional flow charts

### Replacement parts

MODEL	DESCRIPTION
104293	Replacement auto drain*
104294	Replacement manual drain
104295	5-Micron element
104296	40-Micron element
104297	0.3-Micron element
104298	Poly bowl, manual drain
104299	Poly bowl, auto drain
104300	Metal bowl, manual drain
104301	Metal bowl, auto drain
104468	Filter bowl service kit (O-ring)
104459	Coalescing filter bowl, manual drain
104460	Coalescing filter bowl, auto drain
104302	Regulator service kit (relieving)
104303	Regulator service kit (non-relieving)
104304	Tamper kit
104305	0 - 30 psi Spring
104306	0 - 60 psi Spring
104307	0 - 140 psi Spring
104310	0 - 140 psi Gauge flush mount
104311	Polycarbonate bowl w/ guard
104312	Metal bowl
104313	Lubricator bowl service kit
104314	Sight dome repair kit
104416	Panel Nut

\* Replacement auto drains can only be used with auto drain bowls.