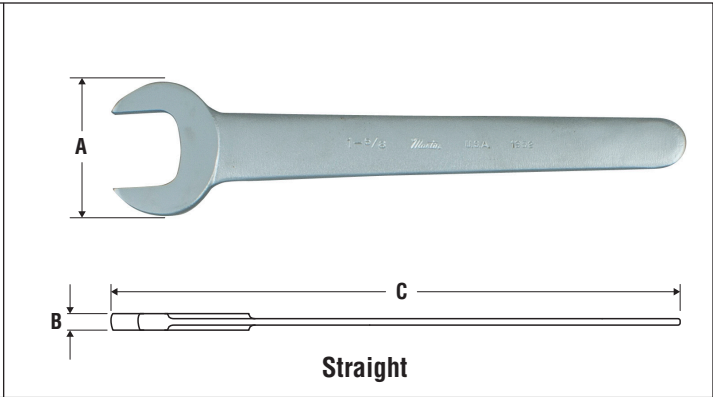
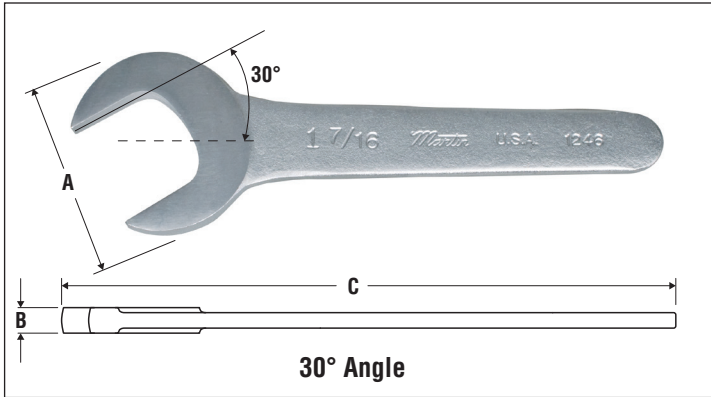


Service Wrenches – SAE & Metric



30° Angle Service Wrenches

Wrench Opening	Diameter of Head		Length C	Weight Each (lb)	Part Number		Std. Pkg. Qty.	Wrench Opening
	A	B			Chrome	Industrial Black		
3/4	1-11/16	1/4	6-5/16	.22	1224	BLK1224	6	3/4
13/16	1-11/16	1/4	6-5/16	.22	1226	BLK1226	6	13/16
7/8	1-11/16	1/4	6-5/16	.22	1228	BLK1228	6	7/8
15/16	1-7/8	1/4	6-7/8	.25	1230	BLK1230	6	15/16
1	1-7/8	1/4	6-7/8	.25	1232	BLK1232	6	1
1-1/16	1-7/8	1/4	6-7/8	.25	1234	BLK1234	6	1-1/16
1-1/8	2-1/16	1/4	7-3/16	.31	1236	BLK1236	6	1-1/8
1-3/16	2-1/16	1/4	7-3/16	.31	1238	BLK1238	6	13/16
1-1/4	2-1/16	1/4	7-3/16	.30	1240	BLK1240	6	1-1/4
1-5/16	2-1/16	1/4	7-3/16	.30	1236S	BLK1236S	6	1-5/16
1-5/16	2-1/2	9/32	7-11/16	.45	1242	BLK1242	6	1-5/16
1-3/8	2-1/2	9/32	7-11/16	.44	1244	BLK1244	6	1-3/8
1-7/16	2-1/2	9/32	7-11/16	.43	1246	BLK1246	6	1-7/16
1-1/2	2-1/2	9/32	7-11/16	.42	1248	BLK1248	6	1-1/2
1-9/16	2-5/8	9/32	7-15/16	.43	1250	BLK1250	6	1-9/16
1-5/8	2-5/8	9/32	7-15/16	.43	1252	BLK1252	6	1-5/8
1-11/16	2-5/8	9/32	7-15/16	.42	1254	BLK1254	6	1-11/16
1-3/4	3-1/8	5/16	8-9/16	.70	1256	BLK1256	6	1-3/4
1-13/16	3-1/8	5/16	8-9/16	.69	1258	BLK1258	6	1-13/16
1-7/8	3-1/8	5/16	8-9/16	.69	1260	BLK1260	6	1-7/8
1-15/16	3-1/8	5/16	8-9/16	.68	1262	BLK1262	6	1-15/16
2	3-1/2	5/16	9-1/2	.66	1264	BLK1264	6	2
2-1/8	3-1/2	5/16	9-1/2	.65	1268	BLK1268	6	2-1/8
2-1/4	3-1/2	5/16	9-1/2	.61	1272	BLK1272	6	2-1/4
2-3/8	3-1/2	5/16	9-1/2	.61	1276	BLK1276	6	2-3/8
2-1/2	3-1/2	5/16	9-1/2	.59	1272S	BLK1272S	6	2-1/2
2-9/16	3-1/2	5/16	9-1/2	.57	1264S	BLK1264S	6	2-9/16

SW11K

BSW11K

30° Angle Service Wrenches Sets

Chrome Set SW11K		Industrial Black Set BSW11K	
OPENING	PART NO.	OPENING	PART NO.
3/4	1224	3/4	BLK1224
13/16	1226	13/16	BLK1226
7/8	1228	7/8	BLK1228
15/16	1230	15/16	BLK1230
1	1232	1	BLK1232
1-1/16	1234	1-1/16	BLK1234
1-1/8	1236	1-1/8	BLK1236
13/16	1238	13/16	BLK1238
1-1/4	1240	1-1/4	BLK1240
1-3/8	1244	1-3/8	BLK1244
1-1/2	1248	1-1/2	BLK1248
Kit Bag	C111	Kit Bag	C111

Straight Service Wrenches

Wrench Opening	Diameter of Head		Length C	Weight Each (lb)	Part Number	Std. Pkg. Qty.	Wrench Opening
	A	B					
1	2-1/2	1/4	12-1/4	.77	1932	6	1
1-1/8	2-1/2	1/4	12-1/4	.73	1936	6	1-1/8
1-1/2	2-7/8	9/32	12-1/4	.93	1948	6	1-1/2
1-5/8	2-7/8	9/32	12-1/4	.92	1952	6	1-5/8
1-3/4	3-7/16	5/16	12-1/4	1.3	1956	6	1-3/4
2	3-7/16	5/16	12-1/4	1.3	1964	6	2
2-1/4	3-7/16	5/16	12-1/4	1.3	1972	6	2-1/4

Service Wrenches

BD5		QTY.
1224	3/4 Service Wrench	1
1226	13/16 Service Wrench	1
1228	7/8 Service Wrench	1
1230	15/16 Service Wrench	1
1232	1 Service Wrench	1
1234	1-1/16 Service Wrench	1
1236	1-1/8 Service Wrench	1
1238	1-3/16 Service Wrench	1
1240	1-1/4 Service Wrench	1
1242	1-5/16 Service Wrench	1
1244	1-3/8 Service Wrench	1
1246	1-7/16 Service Wrench	1
1248	1-1/2 Service Wrench	1
1250	1-9/16 Service Wrench	1
1252	1-5/8 Service Wrench	1
1254	1-11/16 Service Wrench	1
1256	1-3/4 Service Wrench	1
1258	1-13/16 Service Wrench	1
1260	1-7/8 Service Wrench	1
1262	1-15/16 Service Wrench	1
1264	2-Service Wrench	1
1268	2-1/8 Service Wrench	1
1272	2-1/4 Service Wrench	1



Service Wrenches — Metric

BD6		QTY.
1219mm	19mm Service Wrench	1
1221mm	21 mm Service Wrench	1
1222mm	22 mm Service Wrench	1
1224mm	24 mm Service Wrench	1
1227mm	27 mm Service Wrench	1
1230mm	30 mm Service Wrench	1
1232mm	32 mm Service Wrench	1
1236mm	36 mm Service Wrench	1
1237mm	37 mm Service Wrench	1
1238mm	38 mm Service Wrench	1
1240mm	40 mm Service Wrench	1
1241mm	41 mm Service Wrench	1
1242mm	42 mm Service Wrench	1
1244mm	44 mm Service Wrench	1
1246mm	46 mm Service Wrench	1
1248mm	48 mm Service Wrench	1
1250mm	50 mm Service Wrench	1
1255mm	55 mm Service Wrench	1
1260mm	60 mm Service Wrench	1
1265mm	65 mm Service Wrench	1



