

SPC PERFORMANCE®

Instruction Sheet OPTIONAL TOE ADAPTER KIT FOR FASTRAX™

This tool should only be used by personnel who have the necessary skill, training and tools to do the job correctly and safely. Incorrect usage can result in personal injury, vehicle damage and / or loss of vehicle control.

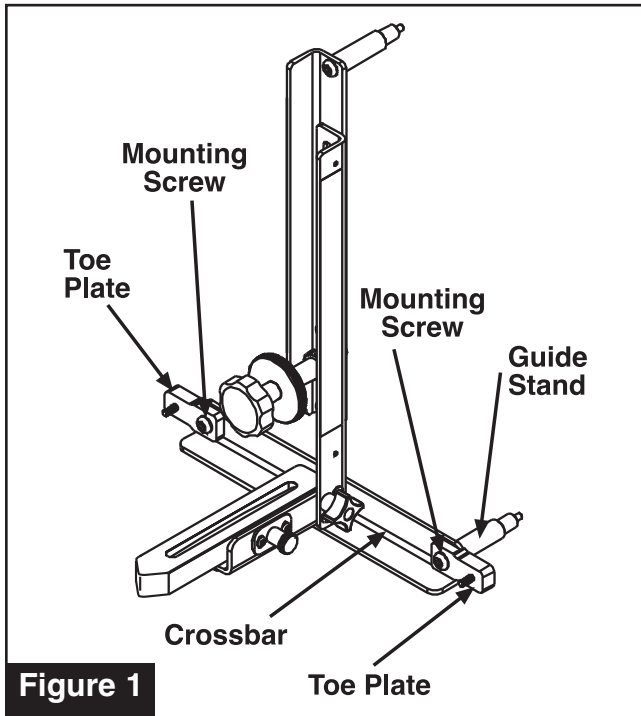


Figure 1

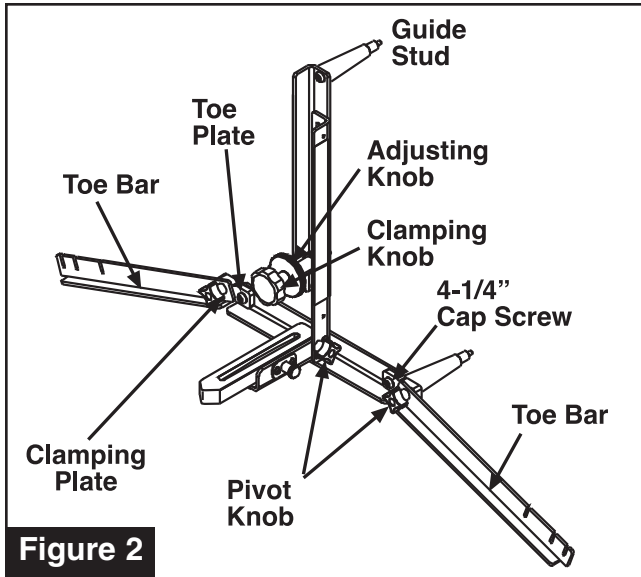


Figure 2

Thank you for purchasing the innovative **FASTRAX™ TOE ADAPTER**. Your new adapter will now allow you to read accurate toe-in and toe-out values as you adjust your suspension for optimal performance and handling. The **FASTRAX™ TOE ADAPTER** can be used quickly and accurately in the shop and at the track.

The **FASTRAX™ TOE ADAPTER** will allow you to measure the amount of toe present in either your front or rear wheels. Toe is the difference between leading edges and trailing edges of the front of the wheel & tire assembly, measured at spindle height. *Toe-In* brings the front of the tires closer than the rear, and *Toe-Out* sets the front of the tires farther apart than the rear. *Zero Toe* is the setting where the wheels are parallel. The Toe setting strongly affects the handling characteristics and transitional cornering of your vehicle.

INSTALLING FASTRAX™ TOE ADAPTER

1. Remove and discard the two screws attaching the two lower guide studs to the lower crossbar.
2. Position the toe plates on the lower crossbar as shown in Figure 1, with the step in the toe plate against the end of the crossbar. Using the mounting screws provided in the kit, attach the toe plates and guide studs to the lower crossbar, and tighten the mounting screws securely. *Note: The use of a small amount of LOCTITE on the threads of the mounting screws is recommended.*
3. Position the toe bars over the threaded studs on the toe plates and install the clamp knobs.

(See Figure 2).

USING THE FASTRAX™ TOE ADAPTER

To use the **FASTRAX™ TOE ADAPTER**, attach the **FASTRAX™ Camber/Caster Gauge** securely to the wheel. Center the steering. Loosen the toe bar clamp knobs and lower the toe bars. Insert the head of your tape measure into one of the slots in the toe bar and stretch the tape measure over to the tire on the opposite side of the vehicle. Select a suitable reference point on the tire (scribe line, wear indicator, plate resting against sidewall, etc.) and record the measurement. Move the tape measure to the same slot on the **TOE ADAPTER** on the opposite side of the tire, and repeat the procedure. If the measurement at the front of the tire is smaller than at the rear of the tire, you have a *Toe-In* condition. If the front measurement is larger than the rear measurement, you have a *Toe-Out* condition.

After you adjust toe, swing the toe bars up and clamp them in place. Roll the vehicle and settle the suspension. Lower the toe bars, and repeat the measurement procedure to verify your adjustment.

There is no warranty stated or implied due to the inability to monitor the part's modification, installation, and use, except that Specialty Products Company warrants its products to be free from defects in material and workmanship for one (1) year after purchase under normal use. In that case, parts returned must be determined by Specialty Products to be defective and Specialty Products's obligations under that warranty are solely limited to repairing or replacing, at its option, any part proven defective.

Final determination of the suitability of the parts for use contemplated by the buyer is the sole responsibility of the buyer. Specialty Products Company shall not be liable for any special, direct, indirect, incidental, or consequential damages that might be claimed as a result of the failure of any part, including claims for delay, loss of profits or labor. Specialty Products Company shall not be liable for any damage or injury to persons or property resulting from improper installation or misuse of any part subject to this warranty. There are no other warranties expressed or implied extending beyond those set forth above.



Specialty Products Company®