

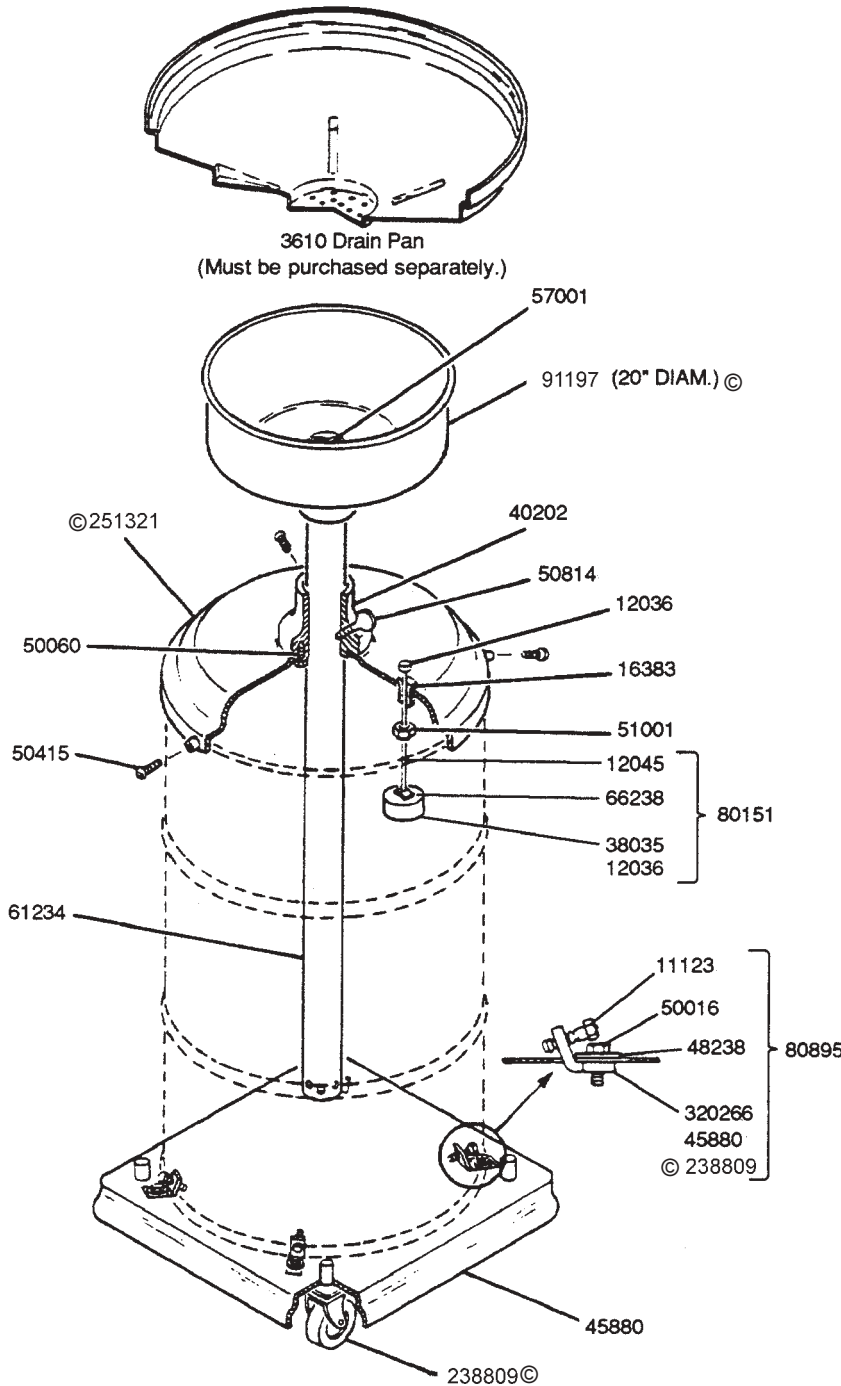
INSTRUCTIONS

Assemble casters (238809) to the base (45880). Center an empty 120 lb. drum on the base and secure with the four truck assembly base clamps.

Place the drum cover (251321) on top of the 120 lb. drum and secure with three drum cover screws (50415).

Insert drain tube (61234) through the guide casting (40202). Raise funnel (91197) on top desired height and tighten thumbscrew (50814).

The gauge float (80151) will rise when the drum is nearly full to indicate the drum should be emptied.



© Indicates Change

PART	QTY	DESCRIPTION
11123	4	Screw
12036	1	Gauge rod knob
12045	1	Gauge rod
16383	1	Gauge rod bushing
38035	1	Gauge floater
40202	1	Guide casting
45880	1	Base
48238	4	Washer
50016	4	Screw
50060	4	Screw
50415	3	Drum cover screw
50814	1	Thumbscrew
51001	1	Hex nut
57001	1	Catch spring
61234	1	Drain tube
66238	2	Speed nut
80151	1	Gauge float assy.
80895	1	Truck assembly
© 91197	1	Funnel (20" Diam.)
© 251321	1	Drum cover
© 238809	4	Caster
360266	4	Clamp