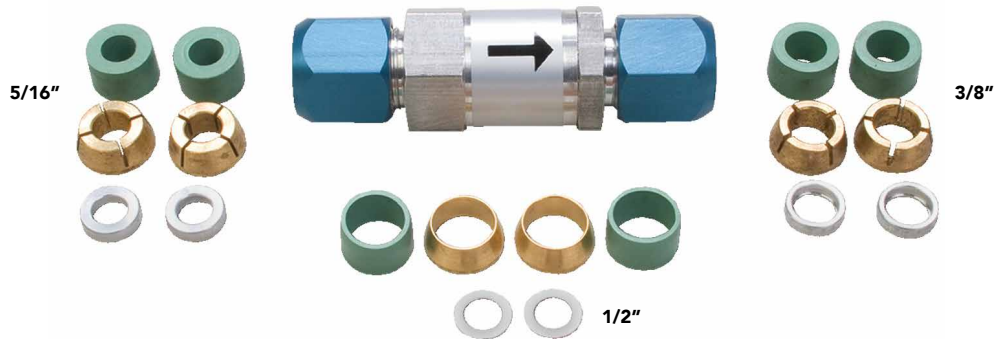




# AC128

## A/C Line Repair & In-Line Filter Kit

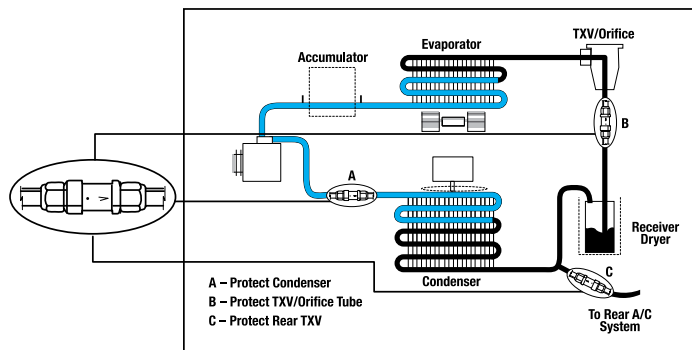


### Unique, Dual-Purpose Repair Kit Which Allows You To Repair A Damaged A/C Line Or Install An In-Line Filter

- Save Time and Money – repair damaged A/C lines including pinhole leaks, cracks, and more
- Easy to Use – simply cut out a damaged section (up to 2") and install AC128
- Multiple Sizes – fits 5/16", 3/8" and 1/2" lines
- Capable of Housing any Size Orifice Tube – installation clips included
- Repair Cars, Trucks & SUVs – works on hundreds of domestic and foreign vehicles
- Reduce Labor – avoid difficult work removing and installing lines

**Did you know . . .**

- Failed compressors send damaging debris throughout the A/C system?
- It is OEM-recommended to install an inline filter when replacing a compressor?
- The AC128 provides a low-cost insurance policy against further system damage?



1.800.390.3996 • phone: 330.745.3300 • fax: 330.745.3488 • [www.surrauto.com](http://www.surrauto.com)