

Manual Battery Charger

Cargador de baterías manual

Chargeur de batterie manuel



LISTED
105-4
105-5
105-8

OWNERS MANUAL / MANUAL DEL USUARIO / MANUEL D'UTILISATION

PLEASE SAVE THIS OWNERS MANUAL AND READ BEFORE EACH USE. This manual will explain how to use the battery charger safely and effectively. Please read and follow these instructions and precautions carefully.

POR FAVOR CONSERVE ESTE MANUAL DEL USUARIO Y LEALO ANTES DE CADA USO. En este manual le explica cómo utilizar el cargador de batería de manera segura y confiable. Por favor, lea y siga las siguientes instrucciones y precauciones.

GARDER LE MANUEL D'INSTRUCTION ET LISEZ LE AVANT CHAQUE UTILISATION. Ce manuel explique comment utiliser le chargeur de batterie d'une façon sécuritaire et efficace. S'il vous plaît lisez et suivez ces instructions et précautions.

CONTENTS

IMPORTANT SAFETY INSTRUCTIONS – SAVE THESE INSTRUCTIONS	5
PERSONAL SAFETY PRECAUTIONS	5
PREPARING TO CHARGE	6
CHARGER LOCATION	6
DC CONNECTION PRECAUTIONS	6
FOLLOW THESE STEPS WHEN BATTERY IS INSTALLED IN VEHICLE	6
FOLLOW THESE STEPS WHEN BATTERY IS OUTSIDE VEHICLE	7
GROUNDING AND AC POWER CORD CONNECTIONS	7
ASSEMBLY INSTRUCTIONS	8
CONTROL PANEL	9
OPERATING INSTRUCTIONS	9
CALCULATING CHARGE TIME	10
MAINTENANCE AND CARE	11
TROUBLESHOOTING	11
BEFORE RETURNING FOR REPAIRS	12
LIMITED WARRANTY	12

CONTENIDOS

INSTRUCCIONES IMPORTANTES DE SEGURIDAD – GUARDE ESTAS INSTRUCCIONES.....	13
PRECAUCIONES DE SEGURIDAD PERSONAL.....	13
PREPARACIÓN PARA LA CARGA	14
UBICACIÓN DEL CARGADOR.....	14
PRECAUCIONES DE CONEXIÓN EN CC.....	14
SIGA ESTOS PASOS CUANDO LA BATERÍA ESTÉ COLOCADA EN EL VEHÍCULO.....	15
SIGA ESTOS PASOS CUANDO LA BATERÍA SE ENCUENTRE FUERA DEL VEHÍCULO	15
CONEXIONES A TIERRA Y ENERGÍA DE CA.....	15
INSTRUCCIONES DE MONTAJE	16
PANEL DE CONTROL	17
INSTRUCCIONES DE OPERACIÓN.....	18
CÁLCULO DE TIEMPO DE CARGA.....	19
MANTENIMIENTO Y CUIDADO	20
LOCALIZACIÓN Y RESOLUCIÓN DE PROBLEMAS	20
ANTES DE DEVOLVER A REPARACIONES.....	22
GARANTÍA LIMITADA.....	22

TABLE DES MATIÈRES

CONSIGNES DE SÉCURITÉ IMPORTANTES – CONSERVER CES INSTRUCTIONS.....	23
MESURES DE SÉCURITÉ PERSONNELLE.....	23
PRÉPARATION POUR LE CHARGEMENT.....	24
EMPLACEMENT DU CHARGEUR.....	24
PRÉCAUTIONS SUR LA CONNEXION C.C.	24
ÉTAPES À SUIVRE QUAND LA BATTERIE EST INSTALLÉE DANS UN VÉHICULE.....	25
ÉTAPES À SUIVRE QUAND LA BATTERIE EST INSTALLÉE HORS DU VÉHICULE	25
MISE À LA TERRE ET CORDON D'ÉNERGIE CA.....	25
DIRECTIVES D'ASSEMBLAGE.....	26
PANNEAU DE CONTRÔLE.....	27
CONSIGNES D'UTILISATION	28
CALCUL DU TEMPS DE CHARGEMENT	29
MAINTENANCE ET ENTRETIEN	30
TABLEAU DE DÉPANNAGE.....	30
AVANT DE RETOURNER POUR LES RÉPARATIONS.....	31
GARANTIE LIMITÉE.....	31

Manual Battery Charger

OWNERS MANUAL



LISTED

105-4

105-5

105-8

PLEASE SAVE THIS OWNERS MANUAL AND READ BEFORE EACH USE.

This manual will explain how to use the charger safely and effectively.

Please read and follow these instructions and precautions carefully.

1. IMPORTANT SAFETY INSTRUCTIONS – SAVE THESE INSTRUCTIONS

- 1.1 **SAVE THESE INSTRUCTIONS** – This manual contains important safety and operating instructions.
- 1.2 Keep out of reach of children.
- 1.3 Do not expose the charger to rain or snow.
- 1.4 Use of an attachment not recommended or sold by the battery charger manufacturer may result in a risk of fire, electric shock or injury to persons.
- 1.5 To reduce the risk of damage to electric plug and cord, pull by the plug rather than the cord when disconnecting charger.
- 1.6 An extension cord should not be used unless absolutely necessary. Use of improper extension cord could result in a risk of fire and electric shock. If an extension cord must be used, make sure:
 - The pins on plug of extension cord are the same number, size and shape as those of plug on charger.
 - The extension cord is properly wired and in good electrical condition.
 - The wire size is large enough for AC ampere rating of charger as specified in section 8.
- 1.7 Do not operate charger with damaged cord or plug – replace the cord or plug immediately.
- 1.8 Do not operate charger if it has received a sharp blow, been dropped, or otherwise damaged in any way; take it to a qualified serviceperson.
- 1.9 Do not disassemble charger; take it to a qualified serviceman when service or repair is required. Incorrect reassembly may result in a risk of electric shock or fire.
- 1.10 To reduce risk of electric shock, unplug charger from outlet before attempting any maintenance or cleaning. Turning off controls will not reduce this risk.
- 1.11 **WARNING: RISK OF EXPLOSIVE GASES.**
 - a. WORKING IN VICINITY OF A LEAD-ACID BATTERY IS DANGEROUS. BATTERIES GENERATE EXPLOSIVE GASES DURING NORMAL BATTERY OPERATION. FOR THIS REASON, IT IS OF UTMOST IMPORTANCE THAT YOU FOLLOW THE INSTRUCTIONS EACH TIME YOU USE THE CHARGER.
 - b. To reduce risk of battery explosion, follow these instructions and those published by battery manufacturer and manufacturer of any equipment you intend to use in vicinity of battery. Review cautionary markings on these products and on engine.

2. PERSONAL SAFETY PRECAUTIONS

- 2.1 Consider having someone close enough by to come to your aid when you work near a lead-acid battery.
- 2.2 Have plenty of fresh water and soap nearby in case battery acid contacts skin, clothing, or eyes.
- 2.3 Wear complete eye protection and clothing protection. Avoid touching eyes while working near battery.
- 2.4 If battery acid contacts skin or clothing, wash immediately with soap and water. If acid enters eye, immediately flood eye with running cold water for at least 10 minutes and get medical attention immediately.
- 2.5 NEVER smoke or allow a spark or flame in vicinity of battery or engine.
- 2.6 Be extra cautious to reduce risk of dropping a metal tool onto battery. It might spark or short-circuit battery or other electrical part that may cause explosion.
- 2.7 Remove personal metal items such as rings, bracelets, necklaces, and watches when working with a lead-acid battery. A lead-acid battery can produce a short-circuit current high enough to weld a ring or the like to metal, causing a severe burn.
- 2.8 Use charger for charging only LEAD-ACID (STD, AGM or GEL) rechargeable batteries. It is not intended to supply power to a low voltage electrical system other than in a starter-motor application. Do not use battery charger for charging dry-cell batteries that are commonly used with home appliances. These batteries may burst and cause injury to persons and damage to property.
- 2.9 NEVER charge a frozen battery.

3. PREPARING TO CHARGE

- 3.1 If necessary to remove battery from vehicle to charge, always remove grounded terminal from battery first. Make sure all accessories in the vehicle are off, so as not to cause an arc.
- 3.2 Be sure area around battery is well ventilated while battery is being charged.
- 3.3 Clean battery terminals. Be careful to keep corrosion from coming in contact with eyes.
- 3.4 Add distilled water in each cell until battery acid reaches level specified by battery manufacturer. Do not overfill. For a battery without removable cell caps, such as valve regulated lead acid batteries, carefully follow manufacturer's recharging instructions.
- 3.5 Study all battery manufacturer's specific precautions while charging and recommended rates of charge.
- 3.6 Determine voltage of battery by referring to car owner's manual and make sure that output voltage selector switch is set at correct voltage. If charger has adjustable charge rate, charge battery initially at lowest rate.

4. CHARGER LOCATION

- 4.1 Locate charger as far away from battery as DC cables permit.
- 4.2 Never place charger directly above battery being charged; gases from battery will corrode and damage charger.
- 4.3 Never allow battery acid to drip on charger when reading electrolyte specific gravity or filling battery.
- 4.4 Do not operate charger in a closed-in area or restrict ventilation in any way.
- 4.5 Do not set a battery on top of charger.

5. DC CONNECTION PRECAUTIONS

- 5.1 Connect and disconnect DC output clips only after setting any charger switches to "off" position and removing AC cord from electric outlet. Never allow the clips of charger to touch each other. Clips may be energized and they may spark.
- 5.2 Attach clips to battery and chassis, as indicated in sections 6 and 7.

6. FOLLOW THESE STEPS WHEN BATTERY IS INSTALLED IN VEHICLE

**WARNING: A SPARK NEAR THE BATTERY MAY CAUSE A BATTERY EXPLOSION.
TO REDUCE THE RISK OF A SPARK NEAR THE BATTERY:**

- 6.1 Position AC and DC cords to reduce risk of damage by hood, door, or moving engine part.
- 6.2 Stay clear of fan blades, belts, pulleys, and other parts that can cause injury to persons.
- 6.3 Check polarity of battery posts. POSITIVE (POS, P, +) battery post usually has larger diameter than NEGATIVE (NEG, N, -) post.
- 6.4 Determine which post of battery is grounded (connected) to the chassis. If negative post is grounded to chassis (as in most vehicles), see (6.5). If positive post is grounded to the chassis, see (6.6).
- 6.5 For negative-grounded vehicle, connect POSITIVE (RED) clip from battery charger to POSITIVE (POS, P, +) ungrounded post of battery. Connect NEGATIVE (BLACK) clip to vehicle chassis or engine block away from battery. Do not connect clip to carburetor, fuel lines, or sheet-metal body parts. Connect to a heavy gauge metal part of the frame or engine block.
- 6.6 For positive-grounded vehicle, connect NEGATIVE (BLACK) clip from battery charger to NEGATIVE (NEG, N, -) ungrounded post of battery. Connect POSITIVE (RED) clip to vehicle chassis or engine block away from battery. Do not connect clip to carburetor, fuel lines, or sheet-metal body parts. Connect to a heavy gauge metal part of the frame or engine block.
- 6.7 When disconnecting charger, turn switches to off, disconnect AC cord, remove clip from vehicle chassis, and then remove clip from battery terminal.
- 6.8 See *Calculating Charge Time* for length of charge information.

7. FOLLOW THESE STEPS WHEN BATTERY IS OUTSIDE VEHICLE

WARNING: A SPARK NEAR THE BATTERY MAY CAUSE A BATTERY EXPLOSION.

TO REDUCE THE RISK OF A SPARK NEAR THE BATTERY:

- 7.1 Check polarity of battery posts. POSITIVE (POS, P, +) battery post usually has a larger diameter than NEGATIVE (NEG, N, -) post.
- 7.2 Attach at least a 24-inch-long 6-gauge (AWG) insulated battery cable to NEGATIVE (NEG, N, -) battery post.
- 7.3 Connect POSITIVE (RED) charger clip to POSITIVE (POS, P, +) post of battery.
- 7.4 Position yourself and free end of cable as far away from battery as possible – then connect NEGATIVE (BLACK) charger clip to free end of cable.
- 7.5 Do not face battery when making final connection.
- 7.6 When disconnecting charger, always do so in reverse sequence of connecting procedure and break first connection while as far away from battery as practical.
- 7.7 A marine (boat) battery must be removed and charged on shore. To charge it on board requires equipment specially designed for marine use.

8. GROUNDING AND AC POWER CORD CONNECTIONS

- 8.1 This battery charger is for use on a nominal 120 volt circuit and has a grounded plug. The charger must be grounded, to reduce the risk of electric shock. The plug must be plugged into an outlet that is properly installed and grounded in accordance with all local codes and ordinances. The plug pins must fit the receptacle (outlet). Do not use with an ungrounded system.
- 8.2 **DANGER:** Never alter the AC cord or plug provided – if it does not fit the outlet, have a proper grounded outlet installed by a qualified electrician. An improper connection can result in a risk of an electric shock or electrocution.

NOTE: Pursuant to Canadian Regulations, use of an adapter plug is not allowed in Canada. Use of an adapter plug in the United States is not recommended and should not be used.

8.3 USING AN EXTENSION CORD

The use of an extension cord is not recommended. If you must use an extension cord, follow these guidelines:

- Pins on plug of extension cord must be the same number, size, and shape as those of plug on charger.
- Ensure that the extension cord is properly wired and in good electrical condition.
- Wire size must be large enough for the AC ampere rating of charger, as specified:

Recommended minimum AWG size for an extension cord

AC input rating, amperes*		Length of cord, feet (m) / AWG size of cord			
At least	But less than	25 (7.6)	50 (15.2)	100 (30.5)	150 (45.6)
0	2	18	18	18	16
2	3	18	18	16	14
3	4	18	18	16	14
4	5	18	18	14	12
5	6	18	16	14	12
6	8	18	16	12	10
8	10	18	14	12	10
10	12	16	14	10	8
12	14	16	12	10	8
14	16	16	12	10	8
16	18	14	12	8	8
18	20	14	12	8	6

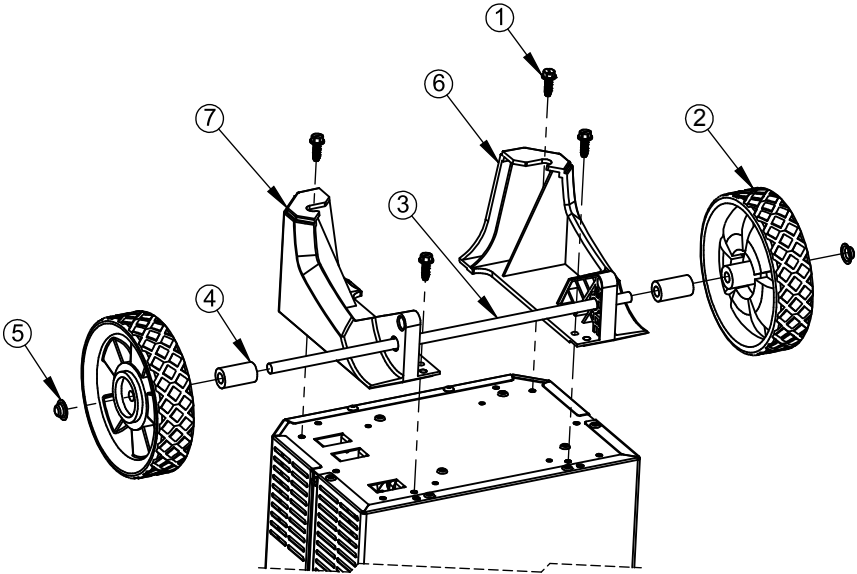
*If the input rating of a charger is given in watts, rather than in amperes, the corresponding ampere rating is determined by dividing the wattage rating by the voltage rating, for example: 1200 watts/120 volts=10 amperes.

9. ASSEMBLY INSTRUCTIONS

- 9.1 It is important to fully assemble your charger before use. Remove all cord wraps and uncoil the cables prior to using the battery charger. Follow these instructions for assembly.

PARTS	TOOLS NEEDED
1. ¼-20, thread-cutting screws, 4 ea.	3/8" nut driver or socket with extension Hammer
2. Wheels, 2 ea.	
3. Axle, 1 ea.	
4. Nylon spacers, 2 ea.	
5. Axle end cap, 2 ea.	
6. Right foot, 1 ea.	
7. Left foot, 1 ea.	

- 9.2 **Prepare parts:** Remove the charger and parts from the lower case materials and place the charger upside down on a flat surface. To assembly the right foot (6) and left foot (7) and wheels (2), you will need a 3/8" nut driver.
- 9.3 **Assemble the wheels and axle:** Tap the end cap (5) with a hammer to install on one end of the axle (3). Slide one wheel (2) onto the axle (3) and then one nylon spacer (4). Slide axle (3) through right foot (6) and left foot (7) as shown. Slide the other nylon spacer (4) onto axle and then the other wheel (2). Install the other end cap (5). There should be a one wheel (2) on each end of the axle (3) assembly.
- 9.4 **Attach the right foot and left foot:** Attach the right foot (6) to the bottom of charger and secure it with the two ¼-20 thread-cutting screws (1) provided. Attach the left foot (7), using the other two ¼-20 thread-cutting screws (1) provided.



- 9.5 Extend the handle from the retracted position by pulling it upward until it locks into place. (Press the small silver buttons inward, if necessary.)

10. CONTROL PANEL

CHARGE RATE SELECTOR SWITCH

Use the charge rate selector switch to select the charge rate or engine start setting.

Charge – For charging small and large batteries.

Boost – For quickly adding energy to a severely discharged or large capacity battery prior to Engine Start.

Engine Start – Provides additional amps for cranking an engine with a weak or run-down battery. Always use in combination with a battery.

TIMER

The timer allows you to set a specified time for charging. After the timer expires, the charger stops charging your battery. The main function of the timer is to prevent overcharging, while allowing a battery time to obtain a satisfactory charge. **Monitor the charger and battery.** To properly set the timer, you must know the size of the battery (in ampere hours) or reserve capacity (in minutes) and the state of charge. It is important that you determine the appropriate state of charge of your battery and set the timer accordingly.

AMMETER

The Ammeter indicates the amount of current, measured in amps, that is being drawn by the battery. As a battery takes on a charge, it draws less current from the charger. Correspondingly, the meter will show less current being drawn by the battery. When the current stops decreasing, the battery is charged. The start area of the meter indicates a high rate of current being drawn from the charger. When cranking an engine, the meter needle will be at the extreme right side of the start area. The 2 amp charge rate may indicate some activity on the meter, although the meter does not have the resolution to display this low rate.

11. OPERATING INSTRUCTIONS

WARNING: A SPARK NEAR BATTERY MAY CAUSE AN EXPLOSION.

CHARGING A BATTERY IN THE VEHICLE

1. Turn off all the vehicle's accessories.
2. Keep the hood open.
3. Clean the battery terminals.
4. Set the timer to the OFF position.
5. Lay the AC/DC cables away from any fan blades, belts, pulleys and other moving parts.
6. Connect the battery, following the precautions listed in sections 6 and 7.
7. Connect the charger to an electrical outlet.
8. Select the desired charge rate.
9. Set the timer to the charge time; **MONITOR THE CHARGER AND THE BATTERY.**
10. When disconnecting the charger, set the timer to the OFF position, disconnect the charger from the AC power, remove the clamp from the vehicle chassis, and then remove the clamp from the battery terminal.

CHARGING A BATTERY OUTSIDE OF THE VEHICLE

1. Place battery in a well-ventilated area.
2. Set the timer to the OFF position.
3. Clean the battery terminals.
4. Connect the battery, following the precautions listed in sections 6 and 7.
5. Connect the charger to the electrical outlet.
6. Select the desired charge rate.
7. Set the timer to the charge time; **MONITOR THE CHARGER AND THE BATTERY.**
8. When disconnecting the charger, set the timer to the OFF position, disconnect the charger from the AC power, disconnect the negative clamp, and finally the positive clamp.
9. A marine (boat) battery must be removed and charged on shore.

USING CHARGE MODE

Use for charging automotive, marine and deep-cycle batteries. Monitor the charging process and stop when the battery is fully charged. Not doing so may damage your battery and result in property damage or personal injury.

USING BOOST MODE

Use Boost mode for quickly adding energy to a severely discharged or large capacity battery prior to Engine Start. Monitor the boosting process.

USING THE ENGINE START FEATURE

Your battery charger can be used to jump start your car if the battery is low. Follow all safety instructions and precautions for charging your battery. Wear complete eye protection and protective clothing.

WARNING: Using the Engine Start feature WITHOUT a battery installed in the vehicle could damage the vehicle's electrical system.

NOTE: If you have charged the battery and it still will not start your car, do not use the Engine Start feature, or it could damage the vehicle's electrical system. Have the battery checked.

1. Set the timer to the OFF position.
2. With the charger unplugged from the AC outlet, connect the charger to the battery following the instructions given in the *Follow These Steps When Battery Is Installed In Vehicle* section.
3. Plug the charger's AC power cord into the AC outlet.
4. With the charger plugged in and connected to the battery of the vehicle, set the Charge Rate selector switch to the Engine Start position.
5. Crank the engine until it starts or 5 seconds pass. If the engine does not start, wait 3 minutes before cranking again. This will precharge the battery.

NOTE: During extremely cold weather, or if the battery is under 2 volts, use Boost or Engine Start for 5 minutes before cranking the engine.

6. If the engine fails to start, use Boost or Engine Start for 5 more minutes before attempting to crank the engine again.
7. After the engine starts, move the timer to the OFF position and unplug the AC power cord before disconnecting the battery clamps from the vehicle.
8. Clean and store the charger in a dry location.

NOTE: If the engine does turn over but never starts, there is not a problem with the starting system; there is a problem somewhere else with the vehicle. STOP cranking the engine until the other problem has been diagnosed and corrected.

FAN OPERATION

It is normal for the fan to run while the timer is on. Keep the area near the charger clear of obstructions, to allow the fan to operate efficiently.

12. CALCULATING CHARGE TIME

When you know the percent of charge and the Amp hour (Ah) rating of your battery, you can calculate the approximate time needed to bring your battery to a full charge.

Example: Amp hour rating = $\frac{\text{Reserve capacity} + 16}{2}$

NOTE: The Reserve Capacity can be obtained from the battery's specification sheet or the owners manual.

To calculate the time needed for a charge:

1. Find the percentage of charge needed.
2. Multiply the Amp hour rating by the charge needed, and divide by the charge rate.
3. Multiply the results by 1.25 to find the total time needed, in hours, to bring the battery to full charge.
4. Add an additional hour for a deep-cycle battery.

Example:

$\text{Ah rating} \times \% \text{ of charge needed} \times 1.25 = \text{hrs of charge}$

Charger Amp setting

$100 \text{ (Ah rating)} \times .50 \text{ (charge needed)} \times 1.25 = 3.125 \text{ hrs}$
20 (Charger Setting)

$\frac{100 \times .50}{20} \times 1.25 = 3.125$

You need to charge a 100 Ampere hour battery for a little more than 3 hrs at the 20 Amp charge rate, using this example.

Use the following table to determine the time it will take to bring a battery to full charge.

The times given are for batteries with a 50% charge prior to recharging.

CCA = Cold Cranking Amps Ah = Amp Hour

RC = Reserve Capacity NR = Not Recommended

BATTERY SIZE/RATING			CHARGE RATE/CHARGING TIME		
			10A	20A	50A
SMALL BATTERIES	Motorcycle, garden tractor, etc.	6-12 Ah	NR	NR	NR
		12-32 Ah	NR	NR	NR
CARS/TRUCKS	200-315 CCA	40-60 RC	2¼-3 h	1-1½ h	25-35 min
	315-550 CCA	60-85 RC	3-3¾ h	1½-2 h	½-¾ h
	550-1000 CCA	85-190 RC	3¾-7 h	2-3½ h	¾-1½ h
MARINE/DEEP-CYCLE		80 RC	3½ h	1¾ h	NR
		140 RC	5½ h	2¾ h	NR
		160 RC	6 h	3 h	NR
		180 RC	6½ h	3¼ h	NR

13. MAINTENANCE AND CARE

A minimal amount of care can keep your battery charger working properly for years.

- Clean the clamps each time you are finished charging. Wipe off any battery fluid that may have come in contact with the clamps to prevent corrosion.
- Occasionally cleaning the case of the charger with a soft cloth will keep the finish shiny and help prevent corrosion.
- Coil the input and output cords neatly when storing the charger. This will help prevent accidental damage to the cords and charger.
- Store the charger unplugged from the AC power outlet in an upright position.
- Store inside, in a cool, dry place.
- Store the clamps on the storage areas provided on the handle. Do not store the clamps clipped together, on or around metal, or clipped to the cables.

14. TROUBLESHOOTING

PROBLEM	POSSIBLE CAUSE	SOLUTION
Charger will not turn on when properly connected.	AC outlet is dead.	Check for open fuse or circuit breaker supplying AC outlet.
	Poor electrical connection.	Check power cord and extension cord for loose fitting plug.
The battery is connected and the charger is on, but is not charging.	Clamps are not making a good connection.	Check for poor connection at battery and frame. Make sure connecting points are clean. Rock the clamps back and forth for a better connection.

PROBLEM	POSSIBLE CAUSE	SOLUTION
The charger is making an audible clicking sound.	<p>Circuit breaker is cycling.</p> <p>Battery is defective.</p> <p>Shorted battery cables or clips.</p> <p>Severely discharged battery, but otherwise it is a good battery.</p> <p>Reverse connections at battery.</p>	<p>The settings may be wrong. Check the charger settings.</p> <p>Have the battery checked.</p> <p>Circuit breaker cycles when current draw is too high. Check for shorted cables or clips and replace if necessary.</p> <p>The battery may not want to accept a charge due to a run-down state. Allow charging to continue until battery has a chance to recover sufficiently to take a charge. If more than 20 minutes, stop charging and have the battery checked.</p> <p>Shut the charger off and correct the lead connections.</p>
Charger makes a loud buzz or hum.	<p>Transformer laminations vibrate (buzz).</p> <p>Shorted Diode Assembly or Output Rectifier Assembly (hum).</p>	<p>No problem, this is a normal condition.</p> <p>Have charger checked by a qualified technician.</p>
Short or no start cycle when cranking engine.	<p>Drawing more than the Engine Start rate.</p> <p>Failure to wait 3 minutes between cranks.</p> <p>Clamps are not making a good connection.</p> <p>AC cord and/or extension cord is loose.</p> <p>No power at receptacle.</p> <p>The charger may be overheated.</p> <p>Battery may be severely discharged.</p>	<p>Crank time varies with the amount of current drawn. If cranking draws more than the Engine Start rate, crank time may be less than 5 seconds.</p> <p>Wait 3 minutes of rest time before the next crank.</p> <p>Check for poor connection at battery and frame.</p> <p>Check power cord and extension cord for loose fitting plug.</p> <p>Check for open fuse or circuit breaker supplying AC outlet.</p> <p>The thermal protector may have tripped and needs a little longer to reset. Make sure the charger vents are not blocked. Wait and try again.</p> <p>On a severely discharged battery, use the 25A Boost setting for 10 to 15 minutes, to help assist in cranking.</p>

15. BEFORE RETURNING FOR REPAIRS

For REPAIRS OR RETURNS, visit 365rma.com

Visit batterychargers.com for Replacement Parts.

16. LIMITED WARRANTY

For information on our one year limited warranty, please visit batterychargers.com or call 1-800-621-5485 to request a copy.

Go to batterychargers.com to register your product online.

Cargador de baterías manual

MANUAL DEL USUARIO



LISTED

105-4

105-5

105-8

POR FAVOR CONSERVE ESTE MANUAL DEL USUARIO Y LEALO ANTES DE CADA USO.

En este manual le explica cómo utilizar el cargador de batería de manera segura y confiable.

Por favor, lea y siga las siguientes instrucciones y precauciones.

1. INSTRUCCIONES IMPORTANTES DE SEGURIDAD – GUARDE ESTAS INSTRUCCIONES

- 1.1 **GUARDE ESTAS INSTRUCCIONES** – Este manual contiene instrucciones operativas y de seguridad de importancia.
- 1.2 Manténgase alejado de los niños.
- 1.3 No exponga el cargador a la lluvia o a la nieve.
- 1.4 El uso de un accesorio no recomendado o suministrado por el fabricante del cargador de baterías puede provocar riesgo de incendio, descarga eléctrica o lesiones a personas.
- 1.5 Para reducir el riesgo de daños al enchufe o cable eléctrico, jale del enchufe en lugar de jalar del cable al desconectar el cargador.
- 1.6 No se debe utilizar un alargador a menos que resulte absolutamente necesario. El uso de un alargador inadecuado puede provocar riesgo de incendio o descarga eléctrica. En caso de que deba utilizarse un alargador, asegúrese de que:
 - Los pasadores en el enchufe del alargador posean el mismo número, tamaño y forma que aquellos presentes en el enchufe del cargador.
 - El alargador se encuentre correctamente conectado y en buenas condiciones eléctricas
 - El tamaño del cable sea lo suficientemente extenso para el amperaje en CA del cargador como se especifica en la sección 8.
- 1.7 No utilice el cargador si el mismo posee un enchufe o cable dañado; sustituya el cable o el enchufe inmediatamente por una persona calificada en el ramo.
- 1.8 No utilice el cargador si el mismo recibió un golpe fuerte, si se cayó o si sufrió daños de cualquier otra forma; hágalo revisar por una persona capacitada que efectúe reparaciones.
- 1.9 No desarme el cargador; hágalo revisar por una persona capacitada que efectúe reparaciones cuando necesite servicio de mantenimiento o una reparación. Volver a ensamblar el cargador en forma incorrecta puede provocar riesgo de incendio o descarga eléctrica.
- 1.10 Para reducir el riesgo de descarga eléctrica, desenchufe el cargador del tomacorriente antes de intentar llevar a cabo cualquier actividad de mantenimiento o limpieza. El simple apagado de los controles no reducirá este riesgo.
- 1.11 **ADVERTENCIA: RIESGO DE GASES EXPLOSIVOS.**
 - a. RESULTA PELIGROSO TRABAJAR EN FORMA CERCANA A UNA BATERÍA DE PLOMO. LAS BATERÍAS GENERAN GASES EXPLOSIVOS DURANTE SU NORMAL FUNCIONAMIENTO. POR ESTE MOTIVO, RESULTA DE SUMA IMPORTANCIA QUE SIGA LAS INSTRUCCIONES CADA VEZ QUE UTILIZA EL CARGADOR.
 - b. Para reducir el riesgo de explosión de una batería, siga estas instrucciones y aquellas publicadas por el fabricante de la batería y por el fabricante de cualquier equipo que intente utilizar en la proximidad de la batería. Revise las pautas de precaución en estos productos y en el motor.

2. PRECAUCIONES DE SEGURIDAD PERSONAL

- 2.1 Considere la idea de que alguna persona se encuentre cerca suyo para poder ayudarlo cuando trabaje en forma cercana a una batería de plomo-ácido.
- 2.2 Cuenté con una gran cantidad de agua potable y jabón a mano en caso de que el ácido de la batería tenga contacto con su piel, ropa u ojos.
- 2.3 Utilice protección visual y corporal completa, incluyendo gafas de seguridad y prendas de protección. Evite tocar sus ojos mientras trabaje en forma cercana a la batería.

- 2.4 Si el ácido de la batería tiene contacto con su piel o su ropa, lave de inmediato el área afectada con agua y jabón. En caso de que ingrese ácido en un ojo, sumerja el mismo de inmediato bajo agua potable corriente por al menos 10 minutos y obtenga atención médica en forma inmediata.
- 2.5 NUNCA fume o permita la presencia de chispas o llamas en la proximidad de una batería o motor.
- 2.6 Tenga especial cuidado para reducir el riesgo de dejar caer una herramienta de metal sobre la batería. Esto podría provocar chispas o un cortocircuito en la batería o en cualquier otra pieza eléctrica que podría provocar una explosión.
- 2.7 No utilice elementos personales de metal tales como anillos, pulseras, collares y relojes al trabajar con una batería de plomo-ácido. Una batería de plomo-ácido puede producir una corriente de cortocircuito lo suficientemente elevada como para soldar un anillo o provocar efectos similares sobre el metal, causando una quemadura de gravedad.
- 2.8 Utilice este cargador solamente para cargar baterías recargables de tipo PLOMO-ÁCIDO (Estándar, AGM o Gel). Este cargador no está destinado a suministrar energía a sistemas eléctricos de baja tensión más que en una aplicación de un motor de arranque. No utilice este cargador de batería para cargar baterías de pila seca que por lo general se utilizan con artefactos domésticos. Estas baterías podrían explotar y provocar lesiones a personas o daño a la propiedad.
- 2.9 NUNCA cargue una batería congelada.

3. PREPARACIÓN PARA LA CARGA

- 3.1 Si resulta necesario extraer la batería del vehículo para cargarla, siempre retire el terminal con descarga a tierra en primer lugar. Asegúrese de que todos los accesorios en el vehículo se encuentren apagados para evitar la formación de arcos eléctricos.
- 3.2 Asegúrese de que el área que rodea a la batería se encuentre bien ventilada mientras se carga la batería.
- 3.3 Limpie los terminales de la batería antes de cargar la batería. Durante la limpieza, evite que la corrosión producida por aire tenga contacto con sus ojos.
- 3.4 Agregue agua destilada a cada pila hasta que el ácido de la batería alcance el nivel especificado por el fabricante de la batería. No provoque derrames. En lo que concierne a baterías que no cuentan con tapas extraíbles para pilas, tales como baterías de plomo-ácido reguladas por válvulas (VRLA, por sus siglas en inglés), siga cuidadosamente las instrucciones de recarga del fabricante.
- 3.5 Controle todas las precauciones específicas establecidas por el fabricante de la batería al realizar la carga, así también como los índices de carga recomendados.
- 3.6 Determine la tensión de la batería al consultar el manual del usuario del vehículo y asegúrese de que el interruptor de selección de la tensión de salida se encuentre establecido en la tensión correcta (en su caso). Si el cargador posee un índice de carga ajustable, cargue la batería en el menor índice en primer lugar.

4. UBICACIÓN DEL CARGADOR

- 4.1 Ubique el cargador a la mayor distancia posible de la batería como lo permitan los cables de CC.
- 4.2 Nunca ubique el cargador directamente por encima de la batería que se carga; los gases de la batería corroerán y dañarán el cargador.
- 4.3 Nunca permita que el ácido de la batería gotee sobre el cargador al leer el peso específico del electrolito o al cargar la batería.
- 4.4 No utilice el cargador en un área cerrada o restrinja la ventilación en cualquier forma.
- 4.5 No ubique la batería encima del cargador.

5. PRECAUCIONES DE CONEXIÓN EN CC

- 5.1 Conecte y desconecte las pinzas de salida CC. sólo después de haber establecido todos los interruptores del cargador a la posición de "apagado" (si es aplicable) y de haber desconectado el enchufe de C.A. del tomacorriente eléctrico. Nunca junte las pinzas de batería cuando el cargador está conectado. Las pinzas están energizadas y pueden producir chispas.
- 5.2 Sujete las pinzas a la batería y al chasis, como se indica en en las secciones 6 y 7.

6. SIGA ESTOS PASOS CUANDO LA BATERÍA ESTÉ COLOCADA EN EL VEHÍCULO

ADVERTENCIA: UNA CHISPA PROVOCADA CERCA DE LA BATERÍA PUEDE CAUSAR LA EXPLOSIÓN DE LA BATERÍA. PARA REDUCIR EL RIESGO DE PROVOCAR CHISPAS CERCA DE LA BATERÍA:

- 6.1 Ubique los cables de C.A. y C.C. para reducir el riesgo de daños a la cubierta, a la puerta y a las piezas móviles o calientes del motor.
- 6.2 Manténgase alejado de las paletas del ventilador, correas, poleas y otras piezas que podrían provocar lesiones.
- 6.3 Verifique la polaridad de los bornes de la batería. El borne POSITIVO (POS, P, +) de la batería generalmente posee un diámetro mayor al borne NEGATIVO (NEG, N, -).
- 6.4 Determine qué borne de la batería hace descarga a tierra (se encuentra conectado) con el chasis. Si el borne negativo hace descarga a tierra con el chasis (como en la mayor parte de los vehículos), ver el paso (6.5). Si el borne positivo hace descarga a tierra con el chasis, ver el paso (6.6).
- 6.5 En un vehículo con descarga a tierra por borne negativo, conecte el gancho POSITIVO (ROJO) del cargador de batería al borne POSITIVO (POS, P, +) sin descarga a tierra de la batería. Conecte el gancho NEGATIVO (NEGRO) al chasis del vehículo o al bloque motor alejado de la batería. No conecte el gancho al carburador, líneas de combustible o cuerpos metálicos. Conecte a una pieza metálica de calibre grueso del marco o del bloque motor.
- 6.6 En un vehículo con descarga a tierra por borne positivo, conecte el gancho NEGATIVO (NEGRO) del cargador de batería al borne NEGATIVO (NEG, N, -) sin descarga a tierra de la batería. Conecte el gancho POSITIVO (ROJO) al chasis del vehículo o al bloque motor alejado de la batería. No conecte al carburador, líneas de combustible o cuerpos metálicos. Conecte a una pieza metálica de calibre grueso del marco o del bloque motor.
- 6.7 Al desconectar el cargador, apague todos los interruptores (en su caso), desconecte el cable de C.A., retire el gancho del chasis del vehículo y luego retire el gancho del terminal perteneciente a la batería.
- 6.8 Vea *Cálculo de Tiempo de Carga* para duración de la carga.

7. SIGA ESTOS PASOS CUANDO LA BATERÍA SE ENCUENTRE FUERA DEL VEHÍCULO

ADVERTENCIA: UNA CHISPA PROVOCADA CERCA DE LA BATERÍA PUEDE CAUSAR LA EXPLOSIÓN DE LA BATERÍA. PARA REDUCIR EL RIESGO DE PROVOCAR CHISPAS CERCA DE LA BATERÍA:

- 7.1 Verifique la polaridad de los bornes de la batería. El borne POSITIVO (POS, P, +) de la batería generalmente posee un diámetro mayor al borne NEGATIVO (NEG, N, -).
- 7.2 Sujete al menos un cable aislado de batería de 24 pulgadas (61 cm) de largo con calibre 6 según el Calibre americano de cables (AWG, por sus siglas en inglés) al borne NEGATIVO (NEG, N, -) de la batería.
- 7.3 Conecte el gancho POSITIVO (ROJO) del cargador al borne POSITIVO (POS, P, +) de la batería.
- 7.4 Ubíquese junto con el extremo libre del cable que previamente sujetó al borne NEGATIVO (NEG, N, -) de la batería a la mayor distancia posible de la batería. Luego conecte el gancho NEGATIVO (NEGRO) del cargador al extremo libre del cable.
- 7.5 No se ubique en posición frontal a la batería al realizar la conexión final.
- 7.6 Al desconectar el cargador, siempre hágalo en forma inversa al procedimiento de conexión y realice la primera conexión tan lejos de la batería como sea posible.
- 7.7 Una batería marina (para barcos) se debe retirar y cargar en tierra. Para realizar una carga a bordo se necesitan equipamientos especialmente diseñados para uso marino.

8. CONEXIONES A TIERRA Y ENERGÍA DE CA

- 8.1 Este cargador de batería está destinado a un uso en un circuito con tensión nominal de 120 V y posee un enchufe con descarga a tierra. El cargador debe poseer una descarga a tierra para reducir el riesgo de descargas eléctricas. El enchufe se debe conectar a un tomacorriente adecuadamente instalado y que cuente con descarga a tierra de acuerdo con todas las ordenanzas y códigos. Los pasadores del enchufe deben adaptarse al receptáculo (tomacorriente). No utilizar con un sistema que no posea descarga a tierra.
- 8.2 **PELIGRO:** Nunca altere el cable o enchufe de C.A. suministrado, si no se ajusta al tomacorriente, haga instalar un tomacorriente adecuado con descarga a tierra por medio de un electricista capacitado. Una conexión inadecuada puede provocar un riesgo de descarga eléctrica o electrocución.

NOTA: De acuerdo a las Leyes Canadienses, el uso de un enchufe adaptador no es permitido en el Canada. El uso de un enchufe como adaptador no se recomienda y no debe ser utilizado Estados Unidos.

8.3 USO DE UN CABLE DE EXTENSIÓN

El uso de una extensión no se recomienda. Si debe usar una extensión, siga estas pautas:

- Las clavijas del enchufe del cable de extensión debe ser el mismo número, tamaño y forma que las del enchufe del cargador.
- Asegúrese de que el cable de extensión esté conectado correctamente y en buenas condiciones eléctricas.
- El tamaño del cable debe ser lo suficientemente extenso para el calibre de amperios del cargador de CA, como se especifica a continuación:

Tamaño AWG mínimo recomendado para alargadore

Consumo nominal de C.A., Amperes*		Longitud del cable, en pies (metros) / Tamaño del cable en AWG			
Al menos	Pero menor a	25 (7,6)	50 (15,2)	100 (30,5)	150 (45,6)
0	2	18	18	18	16
2	3	18	18	16	14
3	4	18	18	16	14
4	5	18	18	14	12
5	6	18	16	14	12
6	8	18	16	12	10
8	10	18	14	12	10
10	12	16	14	10	8
12	14	16	12	10	8
14	16	16	12	10	8
16	18	14	12	8	8
18	20	14	12	8	6

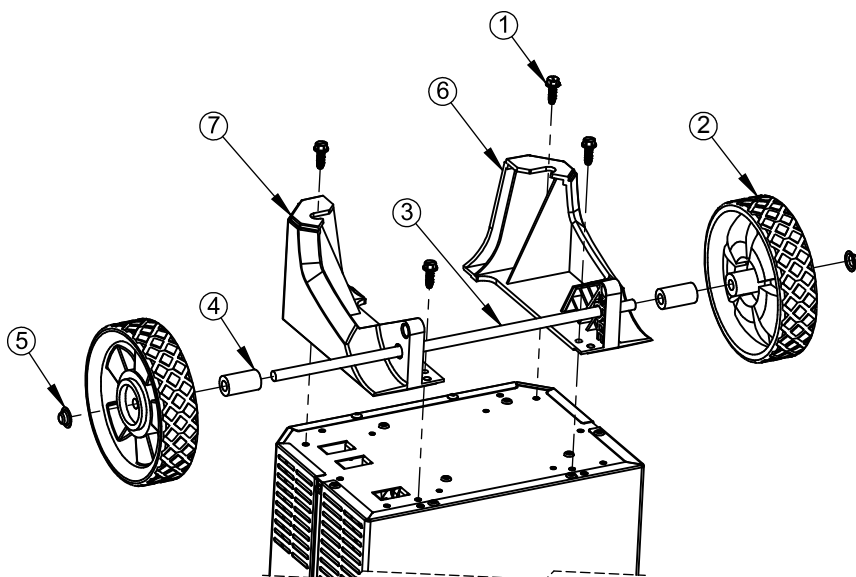
*Si el consumo nominal del cargador se expresa en vatios en lugar de amperes, el consumo en amperes correspondiente se determinará dividiendo el consumo en vatios por el consumo en tensión.
Por ejemplo: 1200 vatios / 120 voltios = 10 amperios.

9. INSTRUCCIONES DE MONTAJE

- 9.1 Es importante ensamblar completamente su cargador antes de usarlo. Retire todas las amarras de los cables y desenróllelos antes de usar el cargador de batería. Siga estas instrucciones para el montaje.

PIEZAS	HERRAMIENTAS REQUERIDAS
1. Tornillos autorroscantes de ¼-20, 4 unidades 2. Ruedas, 2 unidades 3. Eje, 1 unidad 4. Espaciadores de nylon, 2 unidades 5. Tapón de extremo de eje, 2 unidades 6. Pata derecha, 1 unidad 7. Para izquierda, 1 unidad	Llave de tuerca 3/8" o llave de dado con extensión Martillo

- 9.2 **Prepare las piezas:** Retire el cargador y las piezas de los materiales del compartimiento inferior y ponga el cargador invertido sobre una superficie plana. Para ensamblar la pata derecha (6), la pata izquierda (7) y las ruedas (2), necesitará una llave de tuerca de 3/8".
- 9.3 **Ensamble las ruedas y el eje:** Golpee suavemente el tapón de extremo (5) con el martillo para instalarlo en un extremo del eje (3). Deslice una rueda (2) en el eje (3) y luego un espaciador de nylon (4). Deslice el eje (3) a través de la pata derecha (6) y la pata izquierda (7), como se muestra en la imagen. Deslice el otro espaciador de nylon (4) en el eje y luego la otra rueda (2). Instale el otro tapón de extremo (5). Debería quedar una rueda (2) en cada extremo del montaje del eje (3).
- 9.4 **Fije la pata derecha y la pata izquierda:** Fije la pata derecha (6) a la parte inferior del cargador y asegúrela con los dos tornillos autorroscantes de ¼-20 (1) suministrados. Fije la pata derecha (7), usando los otros dos tornillos autorroscantes de ¼-20 (1) suministrados.



- 9.5 Extienda el asa desde la posición retraída tirando de él hacia arriba hasta que encaje en su lugar. (Pulse los botones pequeños de plata hacia el interior, si es necesario.)

10. PANEL DE CONTROL

INTERRUPTOR DE SELECCIÓN DE VELOCIDAD DE CARGA

Utilice el interruptor de selección de velocidad de carga para seleccionar la velocidad de carga o la configuración arranque del motor.

Carga – Para la carga de baterías pequeñas y grandes.

Impulsar – Para la incorporación rápida de la energía a una batería muy descargada o de gran capacidad antes de arrancar el motor.

Arranque de motor – Proporciona amperios adicionales para el arranque de un motor con una batería débil o agotada. Siempre utilizar en combinación con una batería.

TEMPORIZADOR

El temporizador le permite establecer un horario específico para la carga. Una vez vencido el plazo del temporizador, el cargador detiene la carga de la batería. La función principal del temporizador es evitar una sobrecarga además de permitir que el tiempo de la batería obtenga una carga satisfactoria.

Vigilar el cargador y la batería. Para establecer correctamente el temporizador, se debe conocer el tamaño de la batería (en amperes horas) o capacidad de reserva (en minutos) y el estado de carga. Es importante que determine el estado de carga adecuado a su batería y que establezca el temporizador adecuadamente.

AMPERÍMETRO

El amperímetro indica la cantidad de corriente, medida en amperes, es decir la corriente consumida por la batería. A medida que la batería se carga, consume menos corriente del cargador. Correspondientemente el medidor mostrará menos corriente absorbida por la batería. Cuando la corriente para de descender, la batería ya está cargada. El área de inicio del medidor indica un alto índice de corriente consumido por el cargador. Al arrancar un motor, la aguja del motor se encontrará en el extremo del lado derecho del área de inicio. El índice de carga de 2 amperes podría indicar actividad en el medidor a pesar de que este último no cuente con la resolución para presentar este reducido índice.

11. INSTRUCCIONES DE OPERACIÓN

ADVERTENCIA:

UNA CHISPA PROVOCADA CERCA DE LA BATERÍA PUEDE CAUSAR UNA EXPLOSIÓN.

CARGA DE LA BATERÍA EN EL VEHÍCULO

1. Apague todos los accesorios del vehículo.
2. Mantenga el cofre abierto.
3. Limpie las terminales de la batería.
4. Ajuste el temporizador de a la posición de OFF.
5. Coloque los cables de CA / CC lejos de las aspas del ventilador, bandas, poleas y otras partes móviles.
6. Conectar la batería según las instrucciones que indicadas en las secciones 6 y 7.
7. Conecte el cargador a la toma de corriente.
8. Seleccione la velocidad de carga deseada.
9. Ajuste el temporizador para el tiempo de carga; **VIGILAR EL CARGADOR Y LA BATERÍA.**
10. Al desconectar el cargador, ajuste el temporizador a la posición OFF, desconecte el cargador de la toma de CA, retire la pinza del chasis del vehículo y, a continuación, retire la abrazadera de la terminal de la batería.

CARGA DE LA BATERÍA FUERA DEL VEHÍCULO

1. En primer lugar, coloque la batería un área bien ventilada.
2. Ajuste el temporizador de a la posición de OFF.
3. Limpie las terminales de la batería.
4. Conectar la batería según las instrucciones que indicadas en las secciones 6 y 7.
5. Conecte el cargador a la toma de corriente.
6. Seleccione la velocidad de carga deseada.
7. Ajuste el temporizador para el tiempo de carga; **VIGILAR EL CARGADOR Y LA BATERÍA.**
8. Al desconectar el cargador, ajuste el temporizador a la posición OFF, desconecte el cargador de la toma de CA, retire la pinza del chasis del vehículo y, a continuación, retire la abrazadera de la terminal de la batería.
9. Una batería marina (para barcos) se debe retirar y cargar en tierra.

USO DEL MODO DE CARGA

Úselo para cargar baterías de automóviles, marinas y de ciclo profundo. Supervisar el proceso de carga y deterla una vez cargada la batería. Recuerde que si no se hace así, dañaría la batería o podrá causar perjuicios materiales y daños personales.

USO DEL MODO IMPULSAR

Use el modo Impulsar para la incorporación rápida de la energía a una batería muy descargada o de gran capacidad antes de arrancar el motor. Monitoree el proceso de impulso.

UTILIZAR LA FUNCIÓN DE ENCENDIDO DE MOTOR

El cargador de batería se puede utilizar para impulsar el auto si la batería está baja. Siga todas las instrucciones y precauciones de seguridad en la carga de la batería. Use protección completo de los ojos y la ropa de protección.

¡ADVERTENCIA: Utilizando la función de arranque del motor SIN la batería instalada en el vehículo, dañará el sistema eléctrico!

NOTA: Si usted ya ha cargado la batería y aún no arranca el auto, no utilice la opción de arranque, porque esto podría dañar el sistema eléctrico del vehículo. Haga revisar la batería.

1. Ajuste el temporizador de a la posición de OFF.
2. Con el cargador desenchufado del tomacorriente de CA, conecte el cargador a la batería siguiendo las instrucciones que figuran en la sección *Siga Estos Pasos Cuando La Batería Esté Colocada En El Vehículo.*

3. Enchufe el cable de alimentación de CA del cargador al tomacorriente de CA.
 4. Con el cargador enchufado y conectado a la batería del vehículo, coloque el interruptor selector de velocidad de carga a la posición de arranque del motor.
 5. Déle arranque al motor hasta que se ponga en marcha o que pasen 5 segundos. Si el motor no arranca espere 3 minutos antes de intentarlo de nuevo. Esto precargará la batería.
- NOTA:** Bajo clima frío extremo o si la batería es inferior a 2 volts, usar Impulsar o Arranque de motor por 5 minutos antes de poner en marcha el motor.
6. Si el motor no arranca, usar Impulsar o Arranque de motor por 5 minutos más antes de darle arranque nuevamente.
 7. Después de que arranque el motor, mueva el temporizador a la posición OFF y desconecte el cable de alimentación de CA antes de desconectar las pinzas de la batería del vehículo.
 8. Limpie y guarde el cargador en un lugar seco.
- NOTA:** Si el motor gira, pero no enciende, no existe un problema con el sistema de arranque, sino en cualquier otra parte del vehículo. DEJE de darle arranque al motor hasta que el otro problema se diagnostique y se corrija.

FUNCIONAMIENTO DEL VENTILADOR

Es normal que el ventilador funcione mientras el temporizador está activado. Mantener el área cerca del cargador sin obstrucciones para permitir que el ventilador funcione eficazmente.

12. CÁLCULO DE TIEMPO DE CARGA

Cuando conoce el porcentaje de carga y el índice de amperio por hora (Ah) de su batería, puede calcular el tiempo aproximado necesario para que la batería alcance una carga completa.

Ejemplo:

$$\text{Índice de amperio por hora} = \frac{\text{Capacidad de reserva} + 16}{2}$$

NOTA: La capacidad de reserva se puede obtener de la hoja de especificación de la batería o del manual del usuario.

Para calcular el tiempo que se necesita para una carga:

1. Calcule el porcentaje de carga necesario.
2. Multiplique el índice de amperios por hora por la carga necesaria y divida por las configuraciones del índice de carga.
3. Multiplique los resultados por 1,25 y obtendrá el tiempo total necesario, en horas, para dejar la batería totalmente cargada.
4. Sume una hora adicional para una batería de ciclo profundo.

Ejemplo:

$$\frac{\text{Índice de amperio por hora} \times \% \text{ de la carga necesaria}}{\text{Configuraciones del cargador}} \times 1,25 = \text{horas de carga}$$

$$\frac{100 \text{ (índice Ah)} \times 0,50 \text{ (carga necesaria)}}{20 \text{ (Configuraciones del cargador)}} \times 1,25 = 3,125 \text{ horas}$$

$$\frac{100 \times 0,50}{20} \times 1,25 = 3,125$$

Necesitará cargar la batería de 100 amperios por hora por un poco más de 3 horas a un índice de carga de 20 amperios utilizando el ejemplo anterior.

Utilice la tabla-gráfica siguiente para determinar el tiempo que se necesita para cargar una batería a plena carga.

Los tiempos que se informan son para baterías con un 50% de carga antes de volver a cargar.

CCA = Amperaje de arranque en frío Ah = Amp/hora

RC = Capacidad de reserva NR = No Se Recomiendan

TAMAÑO/ÍNDICE DE LA BATERÍA			VELOCIDAD/TIEMPO DE CARGA		
			10A	20A	50A
BATERÍAS PEQUEÑAS	Motocicleta, tractor de jardín, etc.	6-12 Ah	NR	NR	NR
		12-32 Ah	NR	NR	NR
AUTOS/ CAMIONES	200-315 CCA	40-60 RC	2¼-3 h	1-1½ h	25-35 min
	315-550 CCA	60-85 RC	3-3¾ h	1½-2 h	¾-¾ h
	550-1000 CCA	85-190 RC	3¾-7 h	2-3½ h	¾-1½ h
MARINA/ CICLO PROFUNDO		80 RC	3½ h	1¾ h	NR
		140 RC	5½ h	2¾ h	NR
		160 RC	6 h	3 h	NR
		180 RC	6½ h	3¼ h	NR

13. MANTENIMIENTO Y CUIDADO

Con cuidados mínimos puede mantener el cargador de baterías funcionando correctamente durante años.

- Limpie las pinzas cada vez que termine de usar el cargador. Limpie el fluido de la batería que podría haber estado en contacto con las pinzas para evitar la corrosión.
- De vez en cuando, limpie la carcasa del cargador con un paño suave para conservar el acabado brillante y evitar la corrosión.
- Enrolle los cables de entrada y salida cuidadosamente cuando almacene el cargador. Esto ayudará a evitar daños accidentales a los cables y el cargador.
- Guarde el cargador desenchufado de la toma de alimentación de CA en posición vertical.
- Debe conservarse en un lugar fresco y seco.
- Almacenar las pinzas en los áreas de almacenamiento proporcionado en el mango. No guarde las pinzas unidas con un clip, en o alrededor del metal, o sujeta a los cables.

14. LOCALIZACIÓN Y RESOLUCIÓN DE PROBLEMAS

PROBLEMA	CAUSA POSIBLE	SOLUCIÓN
El cargador no se enciende incluso al estar bien conectado.	Tomacorriente de CA fuera de funcionamiento.	Controle la posible presencia de fusibles abiertos o disyuntores que suministren energía al tomacorriente de CA.
	Conexión eléctrica deficiente.	Controle la posible pérdida del enchufe perteneciente a los cables de alimentación o al alargador.
La batería se encuentra conectada y el cargador encendido, pero no carga.	Las pinzas no se encuentran bien conectados.	Controle la posible presencia de una conexión defectuosa a la batería o al bastidor. Asegúrese de que los puntos de conexión estén limpios. Mueva las pinzas hacia adelante y hacia atrás para lograr una mejor conexión.

PROBLEMA	CAUSA POSIBLE	SOLUCIÓN
Se escucha un sonido seco en el cargador ("clic").	<p>El disyuntor se resetea.</p> <p>Batería defectuosa.</p> <p>Cables o pinzas de la batería en cortocircuito.</p> <p>Buena batería pero extremadamente descargada.</p> <p>Conexiones inversas en la batería.</p>	<p>Las configuraciones podrían ser erróneas. Verifique las configuraciones del cargador.</p> <p>Haga revisar la batería.</p> <p>Controle la posible presencia de cables o pinzas cortocircuitados y reemplace los mismos de ser necesario.</p> <p>Permita que la carga continúe hasta que la batería tenga la oportunidad de recuperarse lo suficientemente como para aceptar una carga. Si este período se extiende a más de 20 minutos, detenga la carga y haga revisar la batería.</p> <p>Apague el cargador y corrija las conexiones principales.</p>
El cargador realiza un fuerte zumbido o tarareo.	<p>Las láminas del transformador vibran (provocan un zumbido).</p> <p>Montaje del diodo o montaje del rectificador de salida cortocircuitado (provocan un tarareo).</p>	<p>No es un problema, es una situación habitual.</p> <p>Haga revisar el cargador por un técnico capacitado.</p>
Ciclo reducido o sin inicio al arrancar el motor.	<p>Consumo mayor a el índice de arranque del motor.</p> <p>No espera 3 minutos (180 segundos) entre los arranques.</p> <p>Las pinzas no se encuentran bien conectados.</p> <p>Cable de CA o alargador suelto.</p> <p>No hay electricidad en el tomacorriente.</p> <p>El cargador podría encontrarse en estado de recalentamiento.</p> <p>La batería podría encontrarse severamente descargada.</p>	<p>El tiempo de arranque varía según la cantidad de corriente consumida. Si el arranque consume más el índice de arranque del motor, el tiempo de arranque podría ser menor a 3 segundos.</p> <p>Aguarde 3 minutos en tiempo de descanso antes del próximo arranque.</p> <p>Verifique la posible presencia de una conexión defectuosa en la batería y en el bastidor.</p> <p>Verifique la posible pérdida del enchufe perteneciente a los cables de alimentación o al alargador.</p> <p>Verifique la posible presencia de fusibles abiertos o disyuntores que suministren energía al tomacorriente de CA.</p> <p>El protector térmico podría encontrarse desconectado y necesitar un mayor tiempo de descanso. Asegúrese de que los ventiladores del cargador no se encuentren bloqueados. Espere un momento y pruebe nuevamente.</p> <p>En una batería extremadamente descargada, utilizar la configuración Impulsar 25A durante 10 a 15 minutos, para contribuir al arranque.</p>

15. ANTES DE DEVOLVER A REPARACIONES

Para REPARACIONES O DEVOLUCIONES, visite 365rma.com

Visite batterychargers.com para obtener piezas de repuesto.

16. GARANTÍA LIMITADA

Para obtener información sobre nuestra garantía limitada de un año, visite batterychargers.com o llame al 1-800-621-5485 para solicitar una copia.

Visite nuestra página en batterychargers.com para registrar su producto en línea.

Chargeur de batterie manuel

MANUEL D'UTILISATION



LISTED

105-4

105-5

105-8

GARDER LE MANUEL D'INSTRUCTION ET LISEZ LE AVANT CHAQUE UTILISATION.

Ce manuel explique comment utiliser le chargeur de batterie d'une façon sécuritaire et efficace. S'il vous plaît lisez et suivez ces instructions et précautions.

1. CONSIGNES DE SÉCURITÉ IMPORTANTES – CONSERVER CES INSTRUCTIONS

- 1.1 **CONSERVER CES INSTRUCTIONS** – Ce manuel contient des instructions importantes concernant la sécurité et le fonctionnement.
- 1.2 Ne pas laisser à la portée des enfants.
- 1.3 Ne pas exposer le chargeur à la pluie ou la neige.
- 1.4 N'utilisez que les accessoires recommandés. L'utilisation d'accessoires non recommandés ou vendus par le fabricant du chargeur de batterie peut engendrer un risque d'incendie, un choc électrique ou des blessures.
- 1.5 Pour réduire le risque d'endommager le cordon électrique, tirez sur la prise plutôt que sur le cordon quand vous débranchez le chargeur.
- 1.6 Une rallonge ne devrait pas être utilisée sauf en cas de nécessité absolue. L'utilisation d'une rallonge inadéquate peut causer un risque de feu ou de choc électrique. Si vous devez utiliser une rallonge assurez-vous que :
 - Que les broches sur la prise de la rallonge sont du même nombre, de la même taille et forme que celles de la prise du chargeur.
 - Que la rallonge est bien câblée et en bonne condition électrique.
 - Que la taille du câble est assez grosse pour le taux d'intensité CC du chargeur comme spécifiée dans le section 8.
- 1.7 Ne pas faire fonctionner le chargeur avec un cordon ou une prise endommagé – remplacer immédiatement.
- 1.8 Ne pas faire fonctionner le chargeur s'il a reçu un choc violent, est tombé par terre ou a été endommagé d'une autre façon; apportez-le à un technicien qualifié.
- 1.9 Ne pas démonter le chargeur; apportez-le chez un technicien qualifié quand vous devez l'entretenir ou le réparer. Un mauvais remontage pourrait causer un risque d'incendie ou de choc électrique.
- 1.10 Pour réduire le risque de choc électrique, débranchez le chargeur de la prise murale avant de faire tout entretien ou nettoyage. Le fait de simplement éteindre l'appareil ne réduira pas les risques.
- 1.11 **AVERTISSEMENT : RISQUE DE GAZ EXPLOSIFS.**
 - a. IL EST DANGEREUX DE TRAVAILLER A PROXIMITÉ D'UNE BATTERIE AU PLOMB. LES BATTERIES PRODUISENT DES GAZ EXPLOSIFS EN SERVICE NORMAL. IL EST AUSSI IMPORTANT DE TOUJOURS RELIRE LES INSTRUCTIONS AVANT D'UTILISER LE CHARGEUR ET DE LES SUIVRE À LA LETTRE.
 - b. Pour réduire le risque d'explosion de la batterie, suivez ces directives et celles publiées par le fabricant de la batterie et du fabricant de tout autre appareil que vous pensez utiliser au voisinage de la batterie. Examinez les avertissements inscrits sur ces produits et sur le moteur.

2. MESURES DE SÉCURITÉ PERSONNELLE

- 2.1 Considérez d'être assez proche d'une personne quand vous travaillez près d'un accumulateur au plomb pour qu'elle puisse venir à votre aide en cas d'urgence.
- 2.2 Ayez assez d'eau fraîche et du savon à proximité au cas où votre peau, vos yeux ou vos habits viendraient en contact avec l'acide de la batterie.
- 2.3 Portez une protection complète des yeux et du corps, comprenant des lunettes de sécurité et des vêtements protecteurs. Évitez de toucher vos yeux quand vous travaillez près de la batterie.
- 2.4 Si l'acide de la batterie rentre en contact avec votre peau ou vos vêtements, lavez l'endroit immédiatement avec de l'eau et du savon. Si l'acide entre dans vos yeux, rincez immédiatement l'œil avec de l'eau froide coulante pour au moins 10 minutes puis allez voir le médecin aussitôt.

- 2.5 NE JAMAIS fumer ou allumer des flammes à proximité de la batterie ou du moteur.
- 2.6 Soyez extra prudent pour réduire le risque de laisser tomber un outil en métal sur la batterie. Ça pourrait faire une étincelle ou produire un court-circuit à la batterie ou à d'autres parties électriques et pourrait produire une explosion.
- 2.7 Enlevez vos objets personnels en métal comme les bagues, les bracelets, les colliers et les montres quand vous travaillez avec une batterie d'accumulateurs au plomb. Une batterie d'accumulateurs au plomb peut produire un court-circuit thermique assez fort pour souder une bague ou autre chose du même genre au métal, causant de graves brûlures.
- 2.8 Utilisez le chargeur pour les batteries rechargeables au PLOMB-ACIDE (STD, GEL ou AGM). Il n'est pas conçu pour alimenter un système électrique à basse tension autre que dans une application d'un démarreur. Ne pas utiliser ce chargeur de batterie pour recharger des piles sèches qui sont utilisées en électroménager. Ces piles peuvent exploser et causer des blessures et des dommages matériels.
- 2.9 NE JAMAIS charger une batterie gelée.

3. PRÉPARATION POUR LE CHARGEMENT

- 3.1 S'il est nécessaire de retirer la batterie du véhicule pour la charger, toujours débrancher la borne de mise à la masse en premier. S'assurer que le courant aux accessoires du véhicule est coupé afin d'éviter la formation d'un arc.
- 3.2 Assurez-vous que la zone autour de la batterie est bien ventilée quand la batterie est en chargement.
- 3.3 Nettoyer les bornes de la batterie avant de la charger. Lors du nettoyage, ne laissez pas les particules de corrosion entrer en contact avec vos yeux.
- 3.4 Ajoutez de l'eau distillée dans chaque élément de batterie jusqu'à que le niveau d'acide atteigne celui spécifié par le fabricant de la batterie. Ne pas faire déborder. Pour une batterie dont les éléments n'ont pas de bouchons, comme les « VRLA » (accumulateur au plomb – acide à régulation par soupape) suivez attentivement les directives de chargement du fabricant.
- 3.5 Étudiez toutes les précautions spécifiques du fabricant de la batterie pour le chargement et les taux de charge recommandés.
- 3.6 Déterminez la tension de la batterie en vous référant au guide d'utilisation de votre véhicule et assurez-vous que la tension de sortie correspond à la tension voulue. Si le chargeur a un taux de charge ajustable, chargez la batterie au taux le plus bas pour commencer.

4. EMPLACEMENT DU CHARGEUR

- 4.1 Placez le chargeur aussi loin que possible de la batterie que les câbles CC le permettent.
- 4.2 Ne jamais placer le chargeur directement sous la batterie à charger. les gaz ou les fluides qui s'échappent de la batterie peuvent entraîner la corrosion du chargeur ou l'endommager.
- 4.3 Ne jamais laisser l'électrolyte de la batterie s'écouler sur le chargeur lors de l'analyse hydrométrique ou en remplissant la batterie.
- 4.4 Ne pas faire fonctionner le chargeur dans un espace clos et/ou ne pas gêner la ventilation.
- 4.5 Ne pas poser la batterie sur le chargeur.

5. PRÉCAUTIONS SUR LA CONNEXION C.C.

- 5.1 Mettre les interrupteurs du chargeur hors circuit et retirer le cordon c.a. de la prise avant de mettre et d'enlever les pinces du cordon C.C. S'assurer que les pinces ne se touchent pas. Les clips peuvent être activées et peuvent déclencher.
- 5.2 Attachez les pinces à la batterie et au châssis, comme indiqué dans les sections 6 et 7.

6. ÉTAPES À SUIVRE QUAND LA BATTERIE EST INSTALLÉE DANS UN VÉHICULE

AVERTISSEMENT : UNE ÉTINCELLE PRÈS DE BATTERIE PEUT CAUSER SON EXPLOSION. POUR RÉDUIRE LES RISQUES D'ÉTINCELLE PRÈS DE LA BATTERIE :

- 6.1 Placer les cordons C.A. et C.C. de manière à éviter qu'ils soient endommagés par le capot, une portière ou les pièces en mouvement du moteur.
- 6.2 Faire attention aux pales, aux courroies et aux poulies du ventilateur ainsi qu'à toute autre pièce susceptible de causer des blessures.
- 6.3 Vérifier la polarité des bornes de la batterie. le diamètre de la borne POSITIVE (POS, P, +) est généralement supérieur à celui de la borne NÉGATIVE (NÉG, N, -).
- 6.4 Déterminer quelle borne est mise à la masse (raccordée au châssis). Si la borne négative est raccordée au châssis (comme dans la plupart des cas), voir l'étape 6.5. Si la borne positive est raccordée au châssis, voir l'étape 6.6.
- 6.5 Si la borne négative est mise à la masse, raccorder la pince POSITIVE (ROUGE) du chargeur à la borne POSITIVE (POS, P, +) non mise à la masse de la batterie. Raccorder la pince NÉGATIVE (NOIRE) au châssis du véhicule ou au moteur, loin de la batterie. Ne pas raccorder la pince au carburateur, aux canalisations d'essence ni aux pièces de la carrosserie en tôle. Raccorder à une pièce du cadre ou du moteur en tôle de forte épaisseur.
- 6.6 Si la borne positive est mise à la masse, raccorder la pince NÉGATIVE (NOIRE) du chargeur à la borne NÉGATIVE (NÉG, N, -) non mise à la masse de la batterie. Raccorder la pince POSITIVE (ROUGE) au châssis du véhicule ou au moteur, loin de la batterie. Ne pas raccorder la pince au carburateur, aux canalisations d'essence ni aux pièces de la carrosserie en tôle. Raccorder à une pièce du cadre ou du moteur en tôle de forte.
- 6.7 Pour interrompre l'alimentation du chargeur, mettre les interrupteurs hors circuit, retirer le cordon c.a. de la prise, enlever la pince raccordée au châssis et en dernier lieu celle raccordée à la batterie.
- 6.8 Consultez les *Calcul Du Temps De Chargement* pour les renseignements sur la durée du chargement.

7. ÉTAPES À SUIVRE QUAND LA BATTERIE EST INSTALLÉE HORS DU VÉHICULE

AVERTISSEMENT : UNE ÉTINCELLE PRÈS DE BATTERIE PEUT CAUSER SON EXPLOSION. POUR RÉDUIRE LES RISQUES D'ÉTINCELLE PRÈS DE LA BATTERIE :

- 7.1 Vérifier la polarité des bornes de la batterie. Le diamètre de la borne POSITIVE (POS, P, +) est généralement supérieur à celui de la borne NÉGATIVE (NÉG, N, -).
- 7.2 Raccorder un câble de batterie isolé no 6 AWG mesurant au moins 60 cm de longueur à la borne négative (NÉG, N, -).
- 7.3 Raccorder la pince POSITIVE (ROUGE) à la borne POSITIVE (POS, P, +) de la batterie.
- 7.4 Se placer et tenir l'extrémité libre du câble aussi loin que possible de la batterie, puis raccorder la pince NÉGATIVE (NOIRE) du chargeur à l'extrémité libre du câble.
- 7.5 Ne pas se placer face à la batterie pour effectuer le dernier raccordement.
- 7.6 Quand vous déconnectez le chargeur, toujours le faire dans l'ordre inverse de la procédure de connexion et coupez la première connexion en étant aussi loin que possible de la batterie.
- 7.7 Une batterie marine (bateau) doit être débarquée à terre pour être chargée. Pour la charger à bord il faut posséder un appareil spécialement conçu pour utilisation marine.

8. MISE À LA TERRE ET CORDON D'ÉNERGIE CA

- 8.1 Ce chargeur de batterie doit être utilisé sur un circuit de tension nominale de 120 volts. La prise de terre doit être branchée dans une prise qui est correctement installée et mise à la terre conformément aux codes de construction locaux. Les fiches de la prise mâle doivent correspondre à la prise murale. Ne pas utiliser l'appareil avec un système non mis à la terre.
- 8.2 **DANGER :** Ne jamais modifier le cordon CA ou la prise du chargeur – si elle ne correspond pas à la prise murale, demander à un électricien professionnel de vous installer celle qui convient. Une mauvaise installation peut engendrer un risque de choc électrique ou d'électrocution.

NOTE : Conformément à la réglementation canadienne, l'utilisation d'un adaptateur est interdite au Canada. L'utilisation d'un adaptateur aux États-Unis n'est pas recommandée et ne doit pas être utilisé.

8.3 UTILISEZ UNE RALLONGE

L'utilisation d'une rallonge n'est pas recommandée. Si vous devez utiliser une rallonge, suivez ces directives :

- Les broches de la fiche de la rallonge doit être le même nombre, la taille et forme que celles de la fiche du chargeur.
- S'assurer que la rallonge est bien câblée et en bon état électrique.
- L'épaisseur du fil doit être assez grande pour la notation du chargeur, comme indiqué ci-dessous :

Tailles minimum AWG recommandées pour le rallonge

Taux d'entrée CC, Ampères*		Longueur du cordon, pied (mètres) / Calibre AWG du cordon			
Au moins	Mais moins que	25 (7,6)	50 (15,2)	100 (30,5)	150 (45,6)
0	2	18	18	18	16
2	3	18	18	16	14
3	4	18	18	16	14
4	5	18	18	14	12
5	6	18	16	14	12
6	8	18	16	12	10
8	10	18	14	12	10
10	12	16	14	10	8
12	14	16	12	10	8
14	16	16	12	10	8
16	18	14	12	8	8
18	20	14	12	8	6

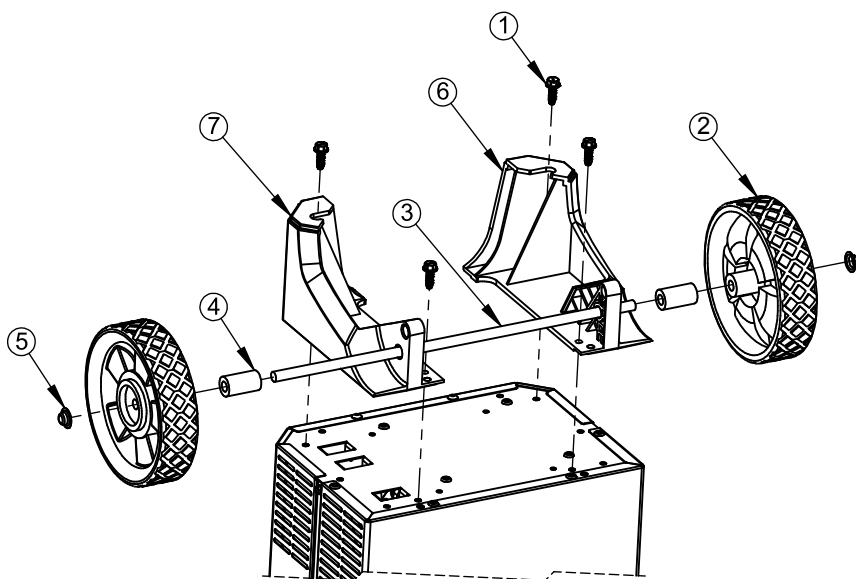
*Si le taux d'entrée du chargeur est indiqué en watt plutôt qu'en ampère, le taux correspondant en ampère doit être déterminé en divisant la puissance nominale par la capacité en voltage.
Par exemple : 1200 watts / 120 volts = 10 ampères

9. DIRECTIVES D'ASSEMBLAGE

- 9.1 Il sera important d'assembler complètement votre chargeur à batterie avant de l'utiliser. Avant d'utiliser l'unité, retirez toutes les attaches de câbles et les dérouler. Pour l'assemblage, suivre les instructions ci-dessous.

PIÈCES	OUTILS REQUIS
1. 4 Vis autotaraudeuses ¼-20 2. 2 Roues 3. 1 Essieu 4. 2 Manchons d'espacement en nylon 5. 2 Capuchons d'extrémités d'essieu 6. 1 pied droit 7. 1 pied gauche	Serre-écrou ou douille de 3/8 po avec extension Maillet

- 9.2 **Préparation des pièces** : Sortir le chargeur et les pièces de l'emballage et le déposer à l'envers sur une surface plane. Pour assembler les pieds gauche (6) et droit (7), ainsi que les roues (2) vous aurez besoin d'un serre-écrou de 3/8 po.
- 9.3 **Assemblage de l'essieu et des roues** : À l'aide d'un maillet, enfoncer un capuchon d'extrémité (5) sur l'une des extrémités de l'essieu (3). Insérer une roue (2) sur l'essieu (3) et ensuite un manchon d'espacement en nylon (4). Passer l'essieu (3) dans les pieds droit (6) et gauche (7) comme montré. Insérer l'autre manchon d'espacement en nylon (4) sur l'essieu et ensuite l'autre roue (2). Poser l'autre capuchon d'extrémité (5). Les roues (2) devraient se trouver à chaque extrémité de l'essieu (3).
- 9.4 **Fixation des pieds** : À l'aide de deux vis autotaraudeuses ¼-20 fournies, fixer solidement le pied droit (6) sur le fond du chargeur. À l'aide des deux autres vis autotaraudeuses ¼-20 fournies, fixer solidement le pied gauche (7) sur le fond du chargeur.



9.5 Tirez la poignée vers le haut pour l'étendre jusqu'à ce qu'elle se ferme. (Si nécessaire, appuyez sur les petits boutons argentés vers l'intérieur.)

10. PANNEAU DE CONTRÔLE

COMMUTATEUR-SÉLECTEUR DU TAUX DE CHARGE

Utilisez le commutateur-sélecteur de taux de charge pour sélectionner, selon vos besoins, le taux de charge ou le réglage démarrage moteur.

Charge – Pour charger les petites et les grosses batteries.

Boost – Pour ajouter rapidement de l'énergie à une batterie fortement déchargée ou batterie de grande capacité avant Aide-Démarrage.

Aide-Démarrage – Fournit un ampérage élevé pour démarrer le moteur qui ont une batterie faible ou déchargée. Toujours utiliser en combinaison avec une batterie.

MINUTERIE

La minuterie vous permet de choisir une heure spécifique de chargement. Quand la minuterie stoppe, le chargeur s'arrête de charger votre batterie. La fonction majeure de la minuterie est d'empêcher une surcharge tout en permettant un temps de chargement satisfaisant. **Surveiller le chargeur et la batterie.** Pour régler la minuterie correctement, vous devez savoir la taille de la batterie en ampère-heure ou la puissance de réserve en minute et l'état de charge. C'est important de déterminer l'état de charge approprié de votre batterie et de régler la minuterie en fonction de celui-ci.

AMPÈREMÈTRE

L'ampèremètre indique le montant de courant, mesuré en ampère qui est tiré par la batterie. À mesure que la batterie accumule de la charge, elle prélève moins de courant du chargeur. Par conséquent le mètre montrera moins actuel courant tiré par la batterie. Quand le courant arrête de diminuer, la batterie est chargée. La zone de départ du compteur indique un taux élevé de courant étant tiré du chargeur. Quand vous démarrez un moteur, l'aiguille du compteur sera à l'extrême droite de la zone de départ. Sur le compteur, le taux de 2 ampères peut montrer de l'activité, bien qu'il n'a pas la précision d'indiquer ce faible taux.

11. CONSIGNES D'UTILISATION

AVERTISSEMENT : UNE ÉTINCELLE PRÈS DE LA BATTERIE PEUT PROVOQUER UNE EXPLOSION.

CHARGE D'UNE BATTERIE DANS LE VÉHICULE

1. Éteignez tous les accessoires du véhicule.
2. Gardez le capot ouvert.
3. Nettoyez les bornes de la batterie.
4. Réglez la minuterie à la position ARRÊT.
5. Posez les câbles AC / DC à l'écart de toute pales de ventilateur, courroies, poulies et autres pièces mobiles.
6. Connectez la batterie en suivant les précautions décrites dans les sections 6 et 7.
7. Branchez le chargeur sur une prise électrique.
8. Sélectionnez le taux de charge souhaité.
9. Réglez la minuterie pour le réglage approprié. **SURVEILLER LE CHARGEUR ET LA BATTERIE.**
10. Lorsque vous débranchez le chargeur, réglez la minuterie à la position ARRÊT, débranchez le chargeur de l'alimentation en alternatif, enlevez la pince du châssis du véhicule, puis enlevez la pince de la borne de la batterie.

CHARGE D'UNE BATTERIE A L'EXTÉRIEUR DU VÉHICULE

1. Mettez la batterie dans un endroit bien ventilé.
2. Réglez la minuterie à la position ARRÊT.
3. Nettoyez les bornes de la batterie.
4. Connectez la batterie en suivant les précautions décrites dans les sections 6 et 7.
5. Branchez le chargeur sur une prise électrique.
6. Sélectionnez le taux de charge souhaité.
7. Réglez la minuterie pour le réglage approprié. surveiller le chargeur et la batterie.
8. Pour débrancher le chargeur, réglez la minuterie à la position ARRÊT, débrancher le chargeur de l'électricité, débranchez la pince négative, et enfin la pince positive.
9. Une batterie marine (bateau) doit être retirée et chargée sur le rivage.

UTILISATION DU MODE CHARGE

Utilisation pour charger les batteries automobiles, marines et à décharge profonde. Assurez-vous de surveiller le processus de chargement et de l'arrêter quand la batterie est chargée. Ne pas le faire peut causer des dommages à votre batterie ou occasionner d'autres dommages matériels ou blessures corporelles.

UTILISATION DU MODE BOOST

Utilisez le mode Boost pour ajouter rapidement de l'énergie à une batterie fortement déchargée ou batterie de grande capacité avant Aide-Démarrage. Surveillez le processus de Boost.

UTILISER LA FONCTION DEMARRAGE DU MOTEUR

Votre chargeur de batterie peut être utilisé pour démarrer votre voiture si la batterie est faible. Suivez toutes les instructions et précautions de sécurité pour charger votre batterie. Portez des lunettes de protection complète et des vêtements protecteurs.

AVERTISSEMENT : L'utilisation de la fonction de aide-démarrage sans avoir une batterie installée dans le véhicule peut endommager le système électrique du véhicule.

NOTE : Si vous avez chargé la batterie et il sera toujours pas démarrer votre voiture, ne pas utiliser la fonction de démarrage du moteur, ou il peut endommager le système électrique du véhicule. Faites vérifier la batterie.

1. Réglez la minuterie à la position ARRÊT.
2. Avec le chargeur débranché de la prise murale, branchez le chargeur de la batterie en suivant les instructions données sur *Étapes À Suivre Quand La Batterie Est Installée Dans Un Véhicule*.
3. Branchez le cordon CA du chargeur dans la prise de courant CA.
4. Avec le chargeur branché et connecté à la batterie du véhicule, positionnez le sélecteur de taux du chargement sur la position Aide-Démarrage.
5. Lancez le moteur jusqu'à ce qu'il démarre ou pendant 5 secondes. Si le moteur ne démarre pas, attendez 3 minutes avant de le relancer. Cela précharger la batterie.

REMARQUE : Pendant le temps très froid, ou si la batterie est moins de 2 volts, utiliser Boost ou Aide-Démarrage pendant 5 minutes avant de démarrer le moteur.

6. Si le moteur ne démarre pas, utiliser Boost ou Aide-Démarrage pendant 5 minutes avant de démarrer le moteur de nouveau.
7. Lorsque le moteur a démarré, mettez la minuterie sur la position ARRÊT et débranchez le cordon CA avant de déconnecter les pinces de la batterie du véhicule.
8. Nettoyez et rangez le chargeur dans un endroit sec.

REMARQUE : Si le moteur tourne, mais ne démarre jamais, ça veut dire qu'il y a un autre problème avec le véhicule. ARRÊTER de tourner le moteur jusqu'à ce que l'autre problème est identifié ou corrigée.

VENTILATEUR OPÉRATION

C'est normal que le ventilateur fonctionne pendant que la minuterie est activée. Gardez un espace dégagé de toute obstruction au tour du chargeur pour permettre au ventilateur de fonctionner efficacement.

12. CALCUL DU TEMPS DE CHARGEMENT

Quand vous connaissez le pourcentage de charge et le nombre d'Ampères-Heures (Ah) de votre batterie, vous pouvez calculer le temps approximatif nécessaire pour charger complètement votre batterie.

Exemple : Nombre d'Ah = $\frac{\text{Capacité de Réserve} + 16}{2}$

NOTE : La capacité de réserve peut être obtenue de la fiche signalétique de la batterie ou du guide d'utilisation.

Pour calculer le temps nécessaire pour le chargement :

1. Trouvez le pourcentage de chargement voulu.
2. Multipliez le nombre d'Ampères-Heures par la charge nécessaire et divisez le résultat par le paramètre du taux de charge.
3. Multipliez le résultat par 1,25 et vous aurez le temps total nécessaire, en heures, pour ramener la batterie à une charge complète.
4. Ajoutez une heure de plus pour une batterie à décharge poussée.

Exemple :

$\frac{\text{Nombre d'Ah} \times \% \text{ de charge nécessaire}}{\text{Paramètre du chargeur}} \times 1,25 = \text{hrs de chargement}$

$\frac{100 (\text{nombre Ah}) \times 0,50 (\text{charge nécessaire})}{20 (\text{Paramètre du chargeur})} \times 1,25 = 3,125 \text{ hrs}$

$\frac{100 \times 0,50}{20} \times 1,25 = 3,125$

Vous devrez charger votre batterie de 100 Ampères-Heures pendant un peu plus de 3 heures au taux de charge de 20 Ampères d'après l'exemple ci-dessus.

Utilisez le tableau suivant pour déterminer plus précisément le temps qu'il vous faut pour recharger complètement une batterie.

Les temps de charge donnés sont pour des batteries chargées à 50 pour cent avant la recharge.

CCA = Intensité du courant électrique au démarrage à froid Ah = Ampères-Heures

RC = Capacité de Réserve NR = N'est Pas Recommandé

TAILLE DE LA BATTERIE/ CARACTÉRISTIQUES			TAUX DE CHARGE / TEMPS DE CHARGEMENT		
			10A	20A	50A
PETITES BATTERIES	Motocyclette, tondeuse à siège, etc.	6-12 Ah	NR	NR	NR
		12-32 Ah	NR	NR	NR
AUTOS/ CAMIONS	200-315 CCA	40-60 RC	2¼-3 h	1-1½ h	25-35 min
	315-550 CCA	60-85 RC	3-3¾ h	1½-2 h	¾-¾ h
	550-1000 CCA	85-190 RC	3¾-7 h	2-3½ h	¾-1½ h
MARINE / À DÉCHARGE POUSSÉE		80 RC	3½ h	1¼ h	NR
		140 RC	5½ h	2¼ h	NR
		160 RC	6 h	3 h	NR
		180 RC	6½ h	3¼ h	NR

13. MAINTENANCE ET ENTRETIEN

Un minimum d'entretien peut garder le chargeur de batterie fonctionne correctement pendant des années.

- Nettoyez les pinces à chaque fois que vous avez fini de charger. Essuyer tout liquide de la batterie qui peut avoir été en contact avec des pinces pour éviter la corrosion.
- De temps en temps nettoyer le boîtier du chargeur avec un chiffon pour garder la finition brillante et aider à prévenir la corrosion.
- Mettez les cordons proprement lors du stockage du chargeur. Cela aidera à prévenir les dommages accidentels aux cordons et du chargeur.
- Ranger le chargeur débranché de la prise de courant en position verticale.
- Stocker à l'intérieur, dans un endroit frais et sec. Ne pas les stocker les pinces sur la poignée ou autour du métal, ou accroché à des câbles.

14. TABLEAU DE DÉPANNAGE

PROBLÈME	CAUSE POSSIBLE	RAISON / SOLUTION
Le chargeur ne s'allume pas quand il est correctement branché.	La prise de courant CA est morte. Mauvaise connexion électrique.	Vérifiez si un fusible est coupé ou le disjoncteur pour cette prise de courant. Vérifiez le cordon d'alimentation et la rallonge pour le raccordement des fiches.
La batterie est connectée et le chargeur est allumé, mais il n'y a pas de chargement.	Les pinces n'offrent pas une bonne connexion.	Vérifiez la connexion à la batterie et au châssis. Assurez-vous que la connexion est propre. Bougez les pinces de l'avant vers l'arrière pour une meilleure connexion.
On entend le chargeur faire un cliquètement.	Le coupe-circuit est en fonction La batterie est défectueuse. Court-circuit des câbles ou des pinces de la batterie. La batterie est fortement déchargée, mais quand même bonne). Connexion inversée à la batterie.	Les paramètres peuvent être mauvais. Vérifiez les paramètres du chargeur. Faire vérifier la batterie. Le coupe-circuit se met en fonction quand l'appel de courant est trop fort. Vérifier les câbles, pour des courts-circuits, et les remplacer si nécessaire. La batterie peut ne pas vouloir accepter une charge vu qu'elle est à plat. Permettez la continuation du chargement jusqu'à ce que la batterie ait une chance de récupérer suffisamment pour accepter une charge. Si cela dure plus de 20 minutes, arrêtez le chargement et faites vérifier la batterie. Débranchez le chargeur et corrigez la connexion des pinces.
Le chargeur produit un fort bourdonnement ou ronflement.	Les lamelles du transformateur vibrent (bourdonnement). Dispositif de diodes ou dispositif du débit du redresseur en court-circuit (ronflement).	Aucun problème, c'est une condition normale. Faites vérifier votre chargeur par un technicien qualifié.

PROBLÈME	CAUSE POSSIBLE	RAISON / SOLUTION
Cycle de démarrage court ou non existant quand on lance le moteur.	Attirant plus de ampères nominale du chargeur.	Le temps de lancement varie avec le montant de courant consommé. Si le lancement consomme plus de de ampères nominale du chargeur, le temps de lancement peut être inférieur à 5 secondes.
	Omission d'attendre 3 minutes entre les lancements.	Attendez le temps de repos complet avant le prochain lancement.
	Les pinces n'offrent pas une bonne connexion.	Vérifiez la connexion à la batterie et au châssis.
	Mauvais branchement du cordon CA ou de la rallonge.	Vérifiez le cordon d'alimentation et la rallonge pour le raccordement des fiches.
	Pas de courant à la prise.	Vérifiez si un fusible est coupé ou le disjoncteur pour cette prise de courant.
	Le chargeur peut être en surchauffe.	Le protecteur thermique peut s'être déclenché et a besoin d'un peu plus de temps pour se réarmer. Assurez-vous que les ouvertures d'aération du chargeur ne sont pas bloquées. Attendez, puis essayez à nouveau.
	La batterie peut être sévèrement déchargée.	Pour une batterie sévèrement déchargée, utilisez le taux Boost 25A pendant 10 à 15 minutes, pour aider dans l'action de lancement du moteur.

15. AVANT DE RETOURNER POUR LES RÉPARATIONS

Pour RÉPARATION OU RETOUR, visitez 365rma.com

Aller sur batterychargers.com pour les pièces de rechange.

16. GARANTIE LIMITÉE

Pour plus d'informations sur notre garantie limitée d'un an, veuillez visiter batterychargers.com ou appeler le 1-800-621-5485 pour demander une copie.

Aller sur batterychargers.com pour enregistrer votre produit en ligne.