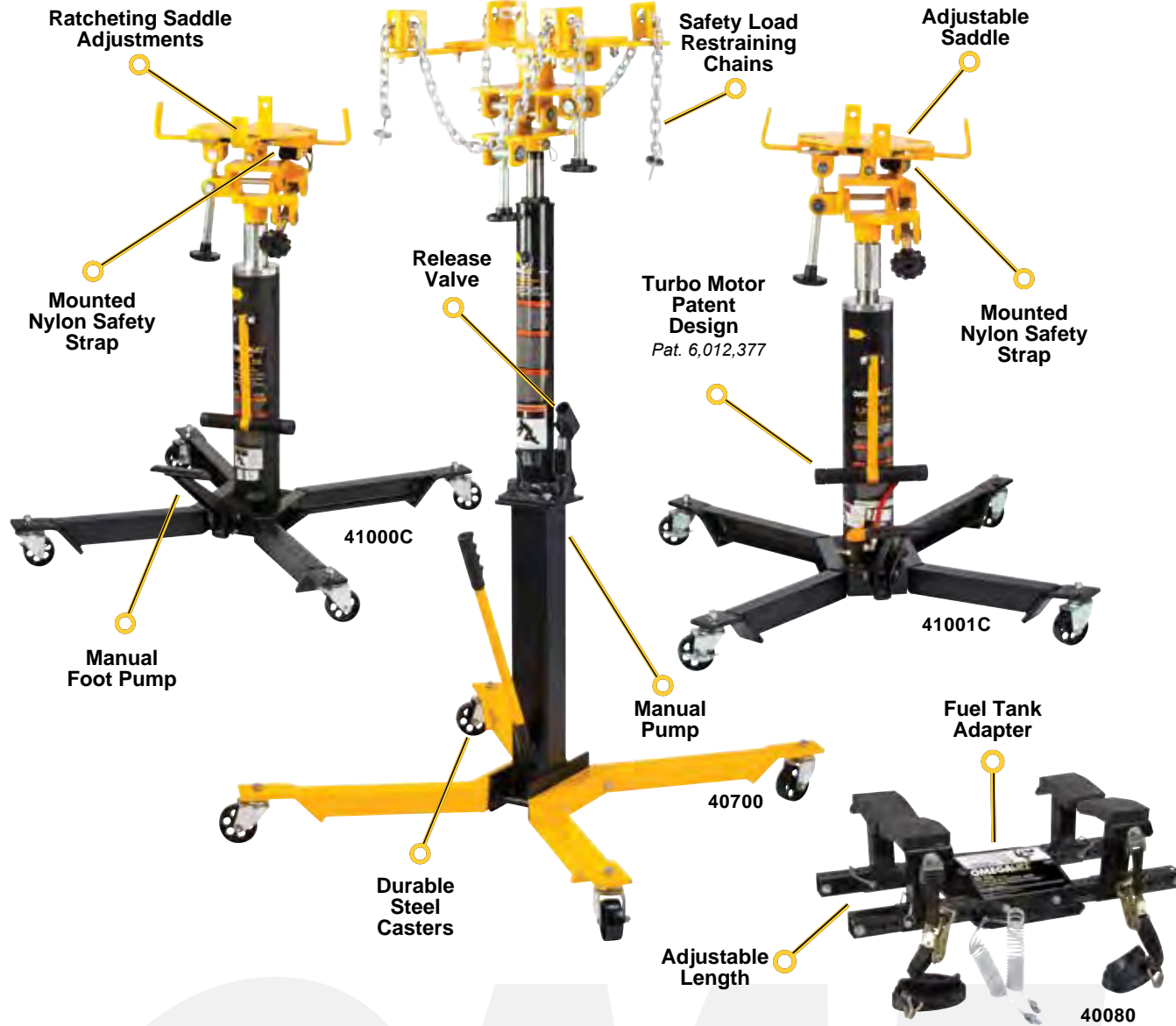


TRANSMISSION JACKS

1,000 lbs Manual Telescopic Transmission Jack

700 lbs Economy Transmission Jack

1,000 lbs Air/Manual Telescopic Transmission Jack

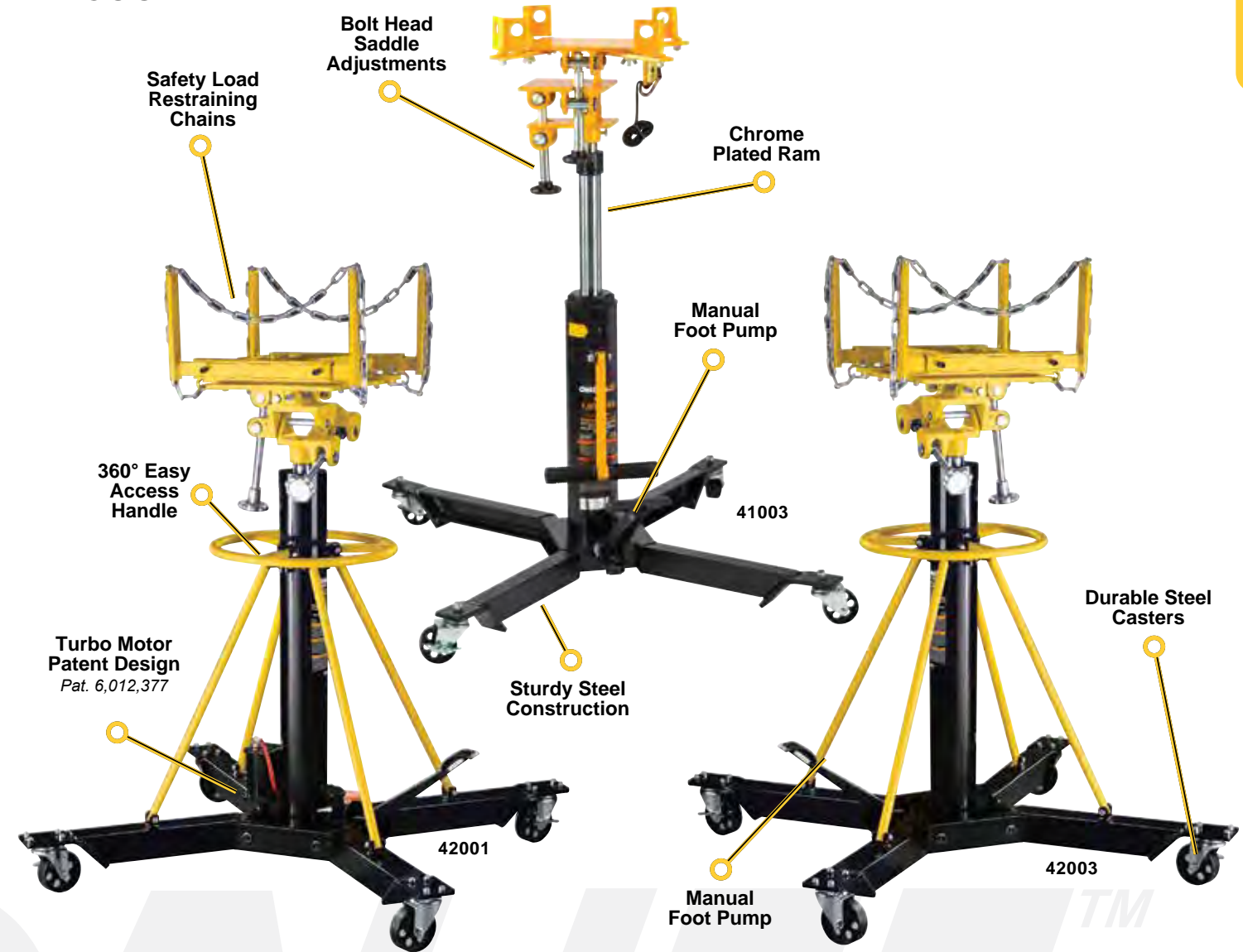


TRANSMISSION JACKS

2,000 lbs Air/Manual Telescopic Transmission Jack

1,000 lbs Manual Telescopic Transmission Jack

2,000 lbs Manual Telescopic Transmission Jack



Model	Description	Height (Min / Max)		Saddle Base		Extended Saddle		Dimension (L x W)		Weight
40700	700 lbs Economy Transmission Jack	57.25"	76.38"	9.88"	9.88"	18.88"	18.88"	36.13"	32.63"	137.28 lbs
41000C	1,000 lbs Manual Telescopic Transmission Jack	39.88"	77.25"	11.50"	11.50"	21.00"	21.00"	33.13"	35.50"	161.00 lbs
41001C	1,000 lbs Air/Manual Telescopic Transmission Jack	39.88"	77.25"	11.50"	11.50"	21.00"	21.00"	33.13"	35.50"	171.00 lbs
40080	Fuel Tank Adapter	Designed to fit onto Telescopic Transmission Jacks								55.00 lbs

Model	Description	Height (Min / Max)		Saddle Base		Extended Saddle		Dimension (L x W)		Weight
41003	1,000 lbs Manual Telescopic Transmission Jack	36.25"	73.00"	9.88"	9.88"	20.25"	20.25"	36.50"	34.00"	145.20 lbs
42001	2,000 lbs Air/Manual Telescopic Transmission Jack	46.00"	74.75"	13.00"	13.00"	24.50"	19.00"	42.00"	39.75"	316.36 lbs
42003	2,000 lbs Manual Telescopic Transmission Jack	46.00"	74.75"	13.00"	13.00"	24.50"	19.00"	42.00"	39.75"	294.36 lbs

* Excluding: 40080



Omega Lift Equipment