

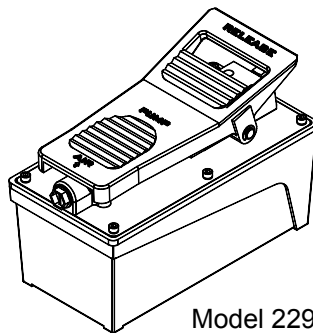
Operating Instructions & Parts Manual



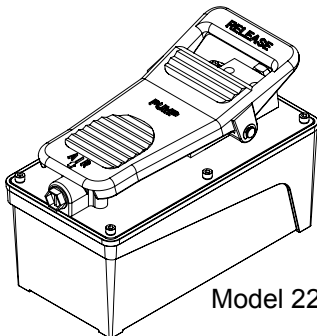
Air Actuated Hydraulic Treadle Pump

Model
22903
22903B
22905
22907

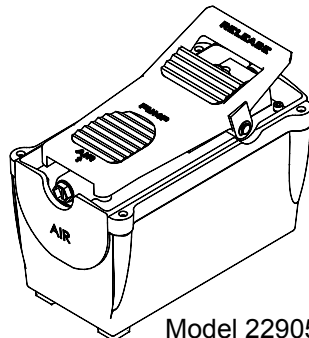
Max. Operating Pressure
10,000 PSI
10,000 PSI
10,000 PSI
10,000 PSI



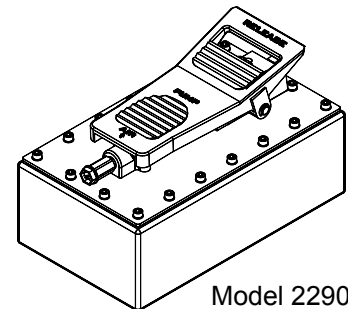
Model 22903



Model 22903B



Model 22905



Model 22907

U.S. Patent No. 5,341,723



This is the safety alert symbol. It is used to alert you to potential personal injury hazards. Obey all safety messages that follow this symbol to avoid possible injury or death.

SFA Companies
<http://www.omegalift.com>

Read this manual and follow all the Safety Rules and Operating Instructions before using this product.

Printed in Taiwan
22903-M0_072012

SAFETY AND GENERAL INFORMATION

Save these instructions. For your safety, read, understand, and follow the information provided with and on this device before using. The owner and/or operator shall have an understanding of the device, its operating characteristics and safety operating instructions before operating the equipment. The owner and/or operator shall be aware that use and repair of this product may require special skills and knowledge. Instructions and safety information shall be read to and discussed with the operator in the operator's native language, making sure that the operator comprehends their contents, before use of this equipment is authorized. If any doubt exists as to the safe and proper use of this device, remove from service immediately.

Inspect before each use. Do not use if abnormal conditions such as cracked welds, damaged, loose or missing parts are noted. Any equipment that appears damaged in any way, is found to be worn, or operates abnormally shall be removed from service until repaired. If the equipment has been or is suspected to have been subjected to an abnormal load or shock, immediately discontinue use until inspected by a factory authorized repair facility (contact distributor or manufacturer for list of authorized repair facilities). It is recommended that an annual inspection be made by an authorized repair facility. Labels and Operator's Manuals are available from the manufacturer.

PRODUCT DESCRIPTION

Air Foot Pumps are engineered to meet industry standards for performance and safety. Foot actuated pumps supply compressed hydraulic fluid to compatible applications i.e. rams, presses, spreaders, compactors and crimping machines, anywhere that 10,000 PSI (700 Bar) of fluid pressure is needed. Special skill, knowledge and training may be required for a specific task and the product may not be suitable for all the jobs described above. Unsuitable applications would include applications that call for a device to move, level or support persons, animals, hazardous materials, mobile homes/ dwellings in general, mirrors and/or plate glass, and/or to connect/secure hatches, components, etc. between bulkheads. The user must ultimately make the decision regarding suitability of the product for any given task and assume the responsibility of safety for himself and others in the work area.

SPECIFICATIONS

| Model Number | Usable Oil Capacity (in ³) | Rated Pressure (PSI) | Output Flow Rate (in ³ /min) | | Input Air Pressure (PSI) | Output Port Thread (Oil) | Input Port Threads (Air) |
|--------------|----------------------------------------|----------------------|-----------------------------------------|------|--------------------------|--------------------------|--------------------------|
| | | | No Load | Load | | | |
| 22903 | 91.5 | 10,000 | 66 | 11 | 110 - 175 | 3/8"-18NPTF | 1/4"-18NPT |
| 22903B | 91.5 | | 66 | 11 | | | |
| 22905 | 122 | | 65 | 12 | | | |
| 22907 | 231.9 | | 65 | 12 | | | |

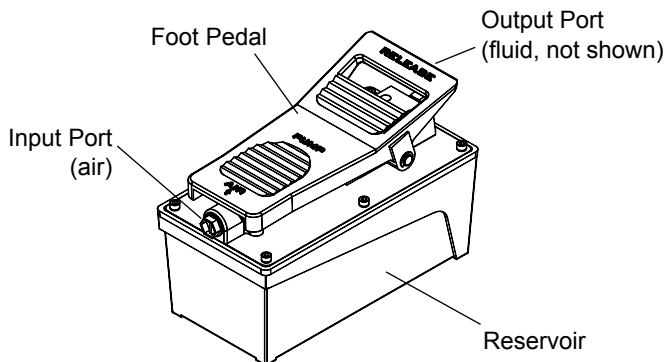


Figure 1 - Model 22903 Components (22903B includes with mounting bolts)

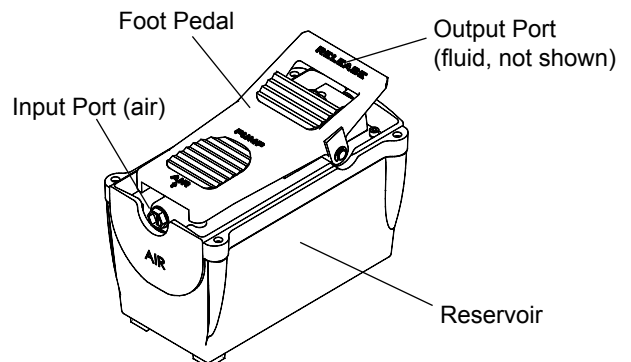


Figure 2 - Model 22905 & 22907 components (22905 shown)

WARNING



- Study, understand, and follow all instructions before operating this device.
- No alteration shall be made to this device.



- Always wear protective gear when operating hydraulic equipment.
- Keep hydraulic equipment away from flames and heat. Hydraulic fluid can ignite and burn. Do not operate if leaks are detected.



- Burst hazard exists if hose or connection pressure exceeds rated pressure. Do not exceed the rated capacity of this device.

- Inspect hoses and connections for damage prior to use.
- Do not subject the pump and its components to shock loads.
- Do not connect to application which can return more oil to the reservoir than the pump reservoir can hold.
- To reduce the risk of personal injury and/or property damage, hydraulic connections must be securely fastened before building pressure in the system. Release all system pressure before loosening any hydraulic connection in the system.
- Always monitor pressure, load or position using suitable equipment. Pressure may be monitored by means of an optional manifold and gauge. Load may be monitored by means of a load cell and digital indicator.
- To reduce the risk of personal injury and/or property damage, ensure that the rated working pressure of each pressurized attachment be equal to or greater than the rated working pressure developed by the hydraulic pump.
- Always check connections before using. Alteration of these products is strictly prohibited. Use only those adapters and attachments provided and approved by the manufacturer.
- Failure to heed these markings may result in personal injury and/or property damage.

BEFORE USE

1. Familiarize yourself with the specifications and illustrations in this owners manual. Know your pump, its limitations and how it operates before attempting to use. Refer to specification chart for details of oil port thread size, usable oil capacity, and more. If in doubt, contact Omega Technical Service (888) 332-6419.
2. Replace shipping plug (red color) with air vent plug (black color) before use.
3. **Air Connection:** Remove plastic cap, secure air supply threaded port connections with high grade, non-hardening pipe thread sealant. Teflon tape can be used if only one layer of tape is used and it is applied carefully, two threads back, to prevent the tape from being introduced into hydraulic system, which could cause jamming of precision-fit parts. Tighten fittings. Air input port is designed to fit popular 1/4" NPT air nipples (not included). Ensure that your air source can dedicate 7.8CFM @ 110~175 PSI to each pump operated.
4. **Hydraulic Connection:** Clean all areas around the oil port of pump and application. Inspect all threads and fitting for signs of wear or damage and replace as needed. Clean all hose ends, couplers and union ends. Remove the manifold plug, secure threaded port connections with high grade, non-hardening pipe thread sealant. Teflon tape can be used if only one layer of tape is used and it is applied carefully, two threads back, to prevent the tape from being introduced into hydraulic system, which could cause jamming of precision-fit parts. Tighten fittings, then connect to application.

OPERATION

1. To extend the cylinder, depress on the foot pedal marked "Pump" (horizontal portion) until desired pressure, load or position is reached.
2. To hold the cylinder in position, release the foot pedal to deactivate the pump.
3. To retract the cylinder, depress the release valve by stepping on the foot pedal marked "Release" (raised, stirrup shaped portion).

NOTICE: *Do not operate pump when disconnected from application. If operated in this condition, hose and connections will become pressurized, increasing burst hazard. Damage may occur to pump and its components.*

MAINTENANCE

1. Inspect hoses and connections daily. Replace damaged components immediately with factory replacement parts only.
2. Tighten connections as needed. Use non-hardening pipe thread compound when servicing connections.
3. Use only good quality hydraulic fluid. Premium hydraulic jack oil is recommended.

Adding Hydraulic Fluid

1. Depressurize and disconnect hydraulic hose from application.
2. With pump in its upright, horizontal position, remove the air vent plug located on the top plate of the reservoir.
3. Use a small funnel to fill reservoir to within 3/4" (19mm) of the opening.
4. Wipe up any spilled fluid and reinstall the air vent plug.

NOTICE: *Use only good quality hydraulic oil. Avoid mixing different types of fluid and NEVER use brake fluid, turbine oil, transmission fluid, motor oil or glycerin. Improper fluid can cause premature equipment failure and the potential for sudden and immediate loss of load. Premium hydraulic jack oil is recommended.*

Changing Hydraulic Fluid

For best performance and longest life, replace the complete fluid supply at least once per year.

1. Depressurize and disconnect hydraulic hose from application.
2. With pump in its upright, horizontal position, remove the air vent plug located on the top plate of the reservoir.
3. Pour used fluid into a sealable container.
4. Dispose of fluid in accordance with local environmental regulations.
5. Fill with a good quality hydraulic oil as recommended above. Reinstall air vent plug.

Lubrication

Use a light machine oil to lubricate pivot points, hinges etc.

When not in use or during storage:

1. Depressurize and disconnect hydraulic hoses from application.
2. Wipe clean, thoroughly.
3. Store in clean, dry environment. Avoid extreme temperatures.
4. For transportation or long storage, replace air vent plug (black color) with shipping plug (red color).
5. Shield pump with a protective cover.

TROUBLESHOOTING GUIDE

| Symptom | Possible Causes | Corrective Action |
|----------------------------------------------------------------------------------|------------------------------------------------------------------------------------------------------------------------------------------------------------------------------------------|-----------------------------------------------------------------------------------------------------------------------------------------------------------------------------------------------------------------------------------------|
| Application does not extend, move or respond to pressurized fluid | <ul style="list-style-type: none"> • Overload condition • Loose couplers • Faulty couplers • Pump malfunction • Inadequate air supply | <ul style="list-style-type: none"> • Remedy overload condition • Tighten couplers • Replace couplers • Contact service center • Ensure air source can dedicate 7.8 CFM @ 110~175 PSI |
| Application responds to pressurized fluid, but system does not maintain pressure | <ul style="list-style-type: none"> • Overload condition • Pump or valve malfunction • Application/connection leaking | <ul style="list-style-type: none"> • Remedy overload condition • Contact Service Center • Replace application/connection |
| Application responds slower than normal | <ul style="list-style-type: none"> • Loose connection or coupler • Restricted hydraulic line or fitting • Application/connection leaking | <ul style="list-style-type: none"> • Tighten connection or coupler • Clean and replace if damaged • Replace application/connection |
| Application does not return fluid to pump (i.e. cylinder will not retract) | <ul style="list-style-type: none"> • Malfunctioning coupler, damaged application | <ul style="list-style-type: none"> • Secure load by other means. Depressurize pump and hose, remove coupler and/or application, then renew or replace |
| Application does not fully extend (cylinder or spreader) | <ul style="list-style-type: none"> • Fluid level in pump is low | <ul style="list-style-type: none"> • Secure load by other means. Depressurize pump and hose, remove application, then fill fluid to proper level |
| Poor performance | <ul style="list-style-type: none"> • Fluid level in pump is low | <ul style="list-style-type: none"> • Ensure proper fluid level |

REPLACEMENT PARTS

Available Parts: Please refer to the Parts drawing when ordering parts. Not all components of the pump are replacement items, but are illustrated as a convenient reference of location and position in the assembly sequence. When ordering parts, give Model number, serial number and description below. Call or write for current pricing: SFA Companies, 10939 N. Pomona Ave. Kansas City, MO 64153, U.S.A. Tel:(888)332-6419; Fax:(816)891-6599 Omega Website: <http://www.omegalift.com>; e-mail: sales@omegalift.com

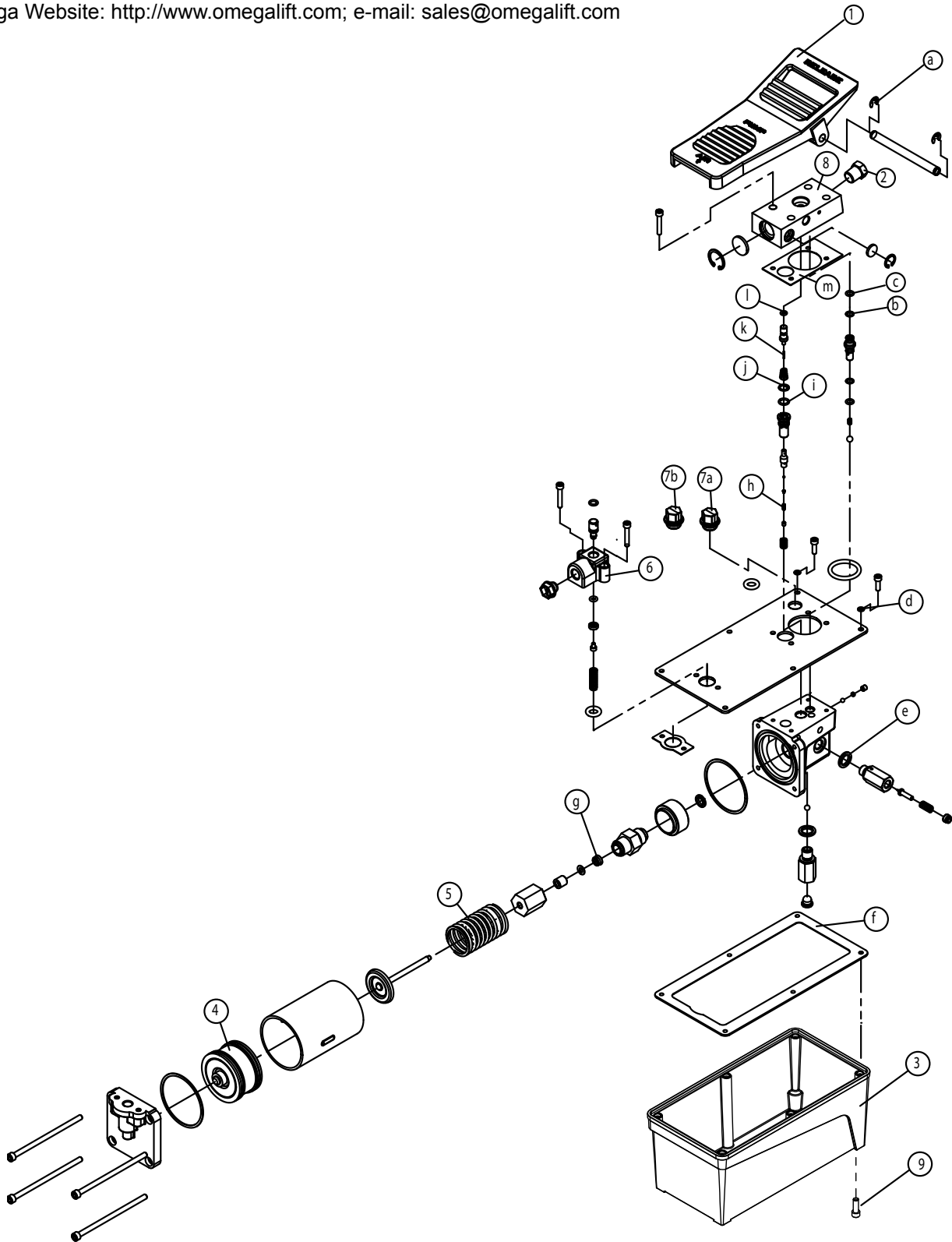


Figure 3 - Replacement Parts Illustration (Model 22903B shown)

| Item | Part No. for Model | | | | Description | Qty |
|------|--------------------|----------------|----------------|----------------|-------------------------------|-----|
| | 22903 | 22903B | 22905 | 22907 | | |
| 1 | A57-6-2001-108 | | A57-4-6003-100 | | Foot Pedal | 1 |
| 2 | D05-6-1001-106 | | | | Manifold Plug | 1 |
| 3 | A57-6-1601-107 | A57-6-6015-109 | A58-5-1602-100 | A57-6-6007-201 | Reservoir | 1 |
| 4 | A17-4-2100-500 | | | | Air Piston Assy. | 1 |
| 5 | 512-2-0410-017 | | | | Compression Spring | 1 |
| 6 | A57-6-5001-103 | | | | Air Entrance Base | 1 |
| 7a | A57-3-5007-107 | | | | Shipping Plug (Red) | 1 |
| 7b | A57-3-1900-109 | | | | Air Vent Plug (Black) | 1 |
| 8 | A57-6-4001-209 | | A57-6-6004-104 | | Oil Manifold | 1 |
| 9 | NA | 649-1-0063-605 | NA | | Mounting Bolt | 4 |
| a-m | A57-3-9901-101 | A57-3-9901-101 | A58-3-9903-102 | A57-3-9911-104 | Repair kit (incl parts a - m) | 1 |

ONE YEAR LIMITED WARRANTY

For a period of one (1) year from date of purchase, SFA Companies will repair or replace, at its option, without charge, any of its products which fails due to a defect in material or workmanship under normal usage. This limited warranty is a consumer's exclusive remedy.

Performance of any obligation under this warranty may be obtained by returning the warranted product, freight prepaid, to SFA Companies Warranty Service Department, 10939 N. Pomona Ave., Kansas City, MO 64153.

Except where such limitations and exclusions are specifically prohibited by applicable law, (1) THE CONSUMER'S SOLE AND EXCLUSIVE REMEDY SHALL BE THE REPAIR OR REPLACEMENT OF DEFECTIVE PRODUCTS AS DESCRIBED ABOVE. (2) SFA Companies SHALL NOT BE LIABLE FOR ANY CONSEQUENTIAL OR INCIDENTAL DAMAGE OR LOSS WHATSOEVER. (3) ANY IMPLIED WARRANTIES, INCLUDING WITHOUT LIMITATION THE IMPLIED WARRANTIES OF MERCHANTABILITY AND FITNESS FOR A PARTICULAR PURPOSE, SHALL BE LIMITED TO ONE YEAR, OTHERWISE THE REPAIR, REPLACEMENT OR REFUND AS PROVIDED UNDER THIS EXPRESS LIMITED WARRANTY IS THE EXCLUSIVE REMEDY OF THE CONSUMER, AND IS PROVIDED IN LIEU OF ALL OTHER WARRANTIES, EXPRESS OR IMPLIED. (4) ANY MODIFICATION, ALTERATION, ABUSE, UNAUTHORIZED SERVICE OR ORNAMENTAL DESIGN VOIDS THIS WARRANTY AND IS NOT COVERED BY THIS WARRANTY.

Some states do not allow limitations on how long an implied warranty lasts, so the above limitation may not apply to you. Some states do not allow the exclusion or limitation of incidental or consequential damages, so the above limitation or exclusion may not apply to you. This warranty gives you specific legal rights, and you may also have other rights, which vary from state to state.



SFA Companies
10939 N. Pomona Ave. Kansas City, MO 64153
888-332-6419
sales@omegalift.com

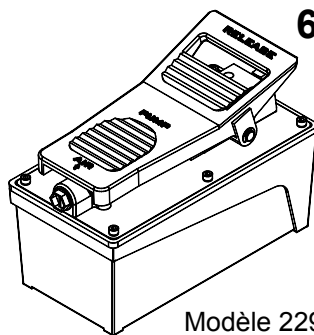
Manuel des consignes d'utilisation et des pièces



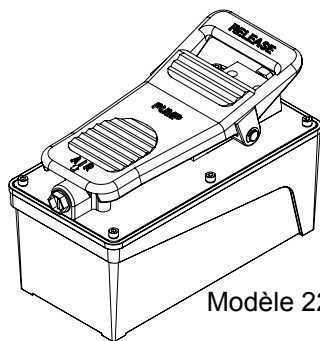
Pompes hydrauliques à air à pied

Modèles
22903
22903B
22905
22907

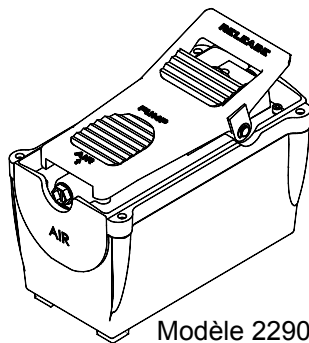
Pression de service maximale
68,9 MPa (10 000 lb/po²)
68,9 MPa (10 000 lb/po²)
68,9 MPa (10 000 lb/po²)
68,9 MPa (10 000 lb/po²)



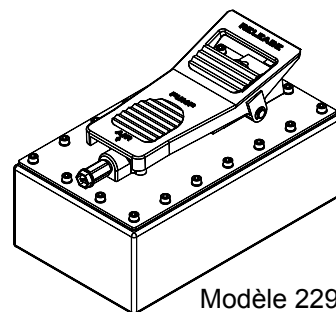
Modèle 22903



Modèle 22903B



Modèle 22905



Modèle 22907

Brevet américain n° 5 341 723



Voici le symbole signalant un danger pour la sécurité. Il est utilisé pour vous alerter des dangers potentiels de blessures.

Respectez tous les messages de sécurité qui suivent ce symbole afin d'éviter les blessures et la mort.

SFA Companies

<http://www.omegalift.com>

Lisez ce manuel et observez toutes les consignes de sécurité et d'utilisation avant d'utiliser ce produit.

Imprimé en Taïwan
22903-M0_072012

INFORMATIONS GÉNÉRALES ET INFORMATIONS RELATIVES À LA SÉCURITÉ

Conservez ces instructions. Pour votre sécurité, lisez, comprenez et respectez toutes les consignes fournies avec cet appareil ou se trouvant sur celui-ci avant de l'utiliser. Le propriétaire, ainsi que l'utilisateur, doit comprendre le fonctionnement de l'appareil, ses caractéristiques de fonctionnement et les consignes de sécurité associées à son utilisation avant de s'en servir. Ces personnes doivent aussi savoir que, pour utiliser ou réparer ce produit, il peut être nécessaire d'avoir des connaissances ou des habiletés spéciales. Avant que l'utilisation de cet appareil ne soit autorisée, il faut lire, dans la langue maternelle de l'opérateur, les instructions et les informations relatives à la sécurité pour qu'il en prenne connaissance et discuter de celles-ci avec lui, de manière à s'assurer qu'il les comprend. S'il y a des doutes quant à la façon adéquate et sécuritaire de se servir de l'appareil, il faut en cesser l'utilisation immédiatement.

Inspectez avant chaque utilisation. N'utilisez pas l'appareil s'il est dans un état anormal, comme lorsqu'il y a des soudures fissurées, des dommages ou des pièces manquantes ou mal fixées. Tout appareil qui semble être endommagé d'une quelconque façon, est usé ou fonctionne de manière anormale ne doit plus être utilisé jusqu'à ce qu'il soit réparé. Si la pompe a été soumise ou s'il y a des raisons de croire qu'elle a été soumise à une charge ou à un choc anormal, cessez de l'utiliser immédiatement jusqu'à ce qu'elle soit inspectée à un centre de réparation autorisé par le fabricant (communiquez avec le distributeur ou le fabricant pour avoir une liste des endroits autorisés). Il est recommandé qu'une inspection annuelle soit faite à un centre autorisé. Il est possible de se procurer d'autres étiquettes et d'autres manuels auprès du fabricant.

DESCRIPTION DU PRODUIT

Les pompes à air à pied sont conçues de manière à respecter les normes de l'industrie en matière de performance et de sécurité. Elles fournissent un liquide hydraulique comprimé à des appareils compatibles, tels que des vérins, des presses, des écarteurs, des compacteurs et des machines à plisser ayant besoin d'un liquide avec une pression de 68,9 MPa (10 000 lb/po² [700 bars]). Des habiletés, des connaissances et une formation spéciales peuvent être requises pour faire une tâche spécifique et il est possible que le produit ne soit pas adéquat pour fonctionner avec les appareils mentionnés ci-dessus. Il ne faut pas utiliser la pompe pour faire fonctionner un appareil qui déplace, met à niveau ou supporte des personnes, des animaux, des matières dangereuses, des maisons mobiles et des maisons de façon générale, des miroirs et des glaces ou encore pour relier ou maintenir en place des écrouilles, des composants, etc. qui se trouvent entre des cloisons. C'est à l'utilisateur qu'il revient de décider si le produit est adéquat pour exécuter une tâche et c'est lui qui est responsable de sa sécurité et de celle des autres dans la zone de travail.

SPÉCIFICATIONS

| N° de modèle | Vol. d'huile utilisable (cm ³ et po ³) | Pression nominale (MPa et lb/po ²) | Débit de sortie (cm ³ /min et po ³ /min) | | Pression d'air à l'entrée (kPa et lb/po ²) | Filets de l'orifice de sortie (Huile) | Filets de l'orifice d'entrée (Air) |
|--------------|---------------------------------------------------------------|------------------------------------------------|----------------------------------------------------------------|-------------|--------------------------------------------------------|---------------------------------------|------------------------------------|
| | | | Sans charge | Avec charge | | | |
| 22903 | 1 500 (91,5) | 68,9 (10 000) | 1 081 (66) | 180 (11) | 758 – 1 206 (110 – 175) | 3/8 po–18 NPTF | 1/4 po–18 NPT |
| 22903B | 1 500 (91,5) | | 1 081 (66) | 180 (11) | | | |
| 22905 | 2 000 (122) | | 1 065 (65) | 197 (12) | | | |
| 22907 | 3 800 (231,9) | | 1 065 (65) | 197 (12) | | | |

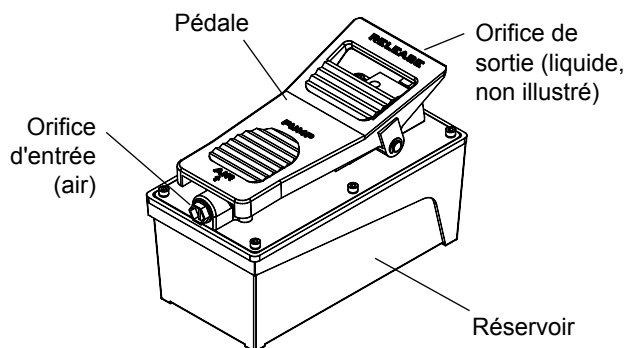


Figure 1 : Composants du modèle 22903
(Le modèle 22903B comprend les boulons de fixation)

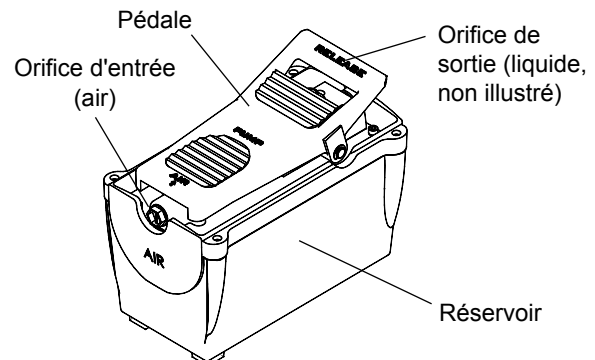


Figure 2 : Composants des modèles 22905 et 22907
(Modèle 22905)

AVERTISSEMENT



• Lisez, comprenez et respectez toutes les instructions avant d'utiliser ce produit.

• Ne faites aucune modification à ce produit.

• Portez toujours de l'équipement de protection lorsque vous utilisez de l'équipement hydraulique.



• Maintenez l'équipement hydraulique à distance des flammes et de la chaleur. Un liquide hydraulique peut s'enflammer et brûler. Ne le faites pas fonctionner si vous détectez des fuites.



• Si la pression des tuyaux ou des branchements dépasse la pression nominale, cela entraîne des risques d'éclatement. Ne dépassez pas la pression nominale de la pompe.

• Inspectez les tuyaux et les branchements pour voir s'il y a des dommages avant de l'utiliser.

• Ne soumettez pas la pompe et ses composants à des charges d'impact.

• Ne reliez pas la pompe à un appareil pouvant renvoyer plus d'huile au réservoir de la pompe que ce que celui-ci peut contenir.

• Pour diminuer les risques de blessures et de dommages matériels, il faut que les branchements hydrauliques soient bien fixés avant de mettre le système sous pression. Dépressurisez complètement le système avant de desserrer tout branchement hydraulique de celui-ci.

• Effectuez toujours un suivi de la pression, de la charge ou de la position à l'aide d'équipement adéquat. Il est possible de faire un suivi de la pression en utilisant un collecteur et un manomètre optionnels. On peut faire de même avec la charge en utilisant un dynamomètre piézoélectrique et un indicateur numérique.

• Pour diminuer les risques de blessures et de dommages matériels, assurez-vous que la pression nominale de chaque composant sous pression est égale ou supérieure à la pression nominale produite par la pompe hydraulique.

• Inspectez toujours les branchements avant d'utiliser la pompe. Il est strictement interdit de modifier la pompe et ses accessoires. Utilisez seulement les adaptateurs et les accessoires fournis et approuvés par le fabricant.

• Le non-respect des consignes peut entraîner des blessures et des dommages matériels.

AVANT L'UTILISATION

1. Familiarisez-vous avec les spécifications et les illustrations se trouvant dans ce guide d'utilisation. Comprenez le fonctionnement de la pompe et connaissez ses limites avant d'essayer de l'utiliser. Consultez le tableau des spécifications pour avoir des détails sur les diamètres des filets de l'orifice d'huile, le volume d'huile utilisable et plus encore. Si vous avez des doutes, communiquez avec le soutien à la clientèle pour les produits Omega au numéro 1 888 332-6419.
2. Remplacez le bouchon de livraison (couleur rouge) par le bouchon de l'évent (couleur noire) avant d'utiliser la pompe.
3. **Alimentation en air** : Enlevez le bouchon en plastique et scellez les branchements filetés de l'alimentation en air avec un scellant de haute qualité pour filets de tuyaux qui ne durcit pas. Du ruban en téflon peut être utilisé si une seule couche de ruban est mise et que celui-ci est posé avec précaution, en laissant les deux derniers filets libres, pour empêcher le ruban d'être introduit dans le système hydraulique, ce qui pourrait bloquer des pièces ajustées avec précision. Serrez les raccords. L'orifice de l'entrée d'air est conçu pour être relié aux raccords populaires 1/4 po NPT d'alimentation en air comprimé (non inclus). Assurez-vous que la source d'air peut envoyer un débit de 0,22 m³/min à une pression allant de 758 à 1 206 kPa (7,8 pi³/min pour une pression de 110 à 175 lb/po²) pour chaque pompe utilisée.
4. **Branchements hydrauliques** : Nettoyez toutes les surfaces autour de l'orifice de remplissage d'huile de la pompe et des branchements de l'appareil. Inspectez tous les filets et les raccords pour voir s'il y a de l'usure ou des dommages et remplacez-les au besoin. Nettoyez tous les raccords, les extrémités des tuyaux et les extrémités des raccords union. Enlevez le bouchon du collecteur et scellez les branchements filetés avec un scellant de haute qualité pour filets de tuyaux qui ne durcit pas. Du ruban en téflon peut être utilisé si une seule couche de ruban est mise et que celui-ci est posé avec précaution, en laissant les deux derniers filets libres, pour empêcher le ruban d'être introduit dans le système hydraulique, ce qui pourrait bloquer des pièces ajustées avec précision. Serrez les raccords et branchez ensuite la pompe à l'appareil.

FUNCTIONNEMENT

1. Pour faire sortir le vérin, appuyez sur la pédale sur laquelle il est inscrit *Pump* (partie horizontale) jusqu'à ce que la pression, la charge ou la position désirée soit atteinte.
2. Afin que le vérin demeure en position, cessez de peser sur la pédale pour que la pompe arrête de fonctionner.
3. Pour faire rentrer le vérin, exercez de la pression sur la soupape de surpression en appuyant sur la pédale sur laquelle il est inscrit *Release* (partie plus élevée en forme d'étrier).

AVIS : *Ne faites pas fonctionner la pompe lorsqu'elle n'est pas branchée à un appareil. Si vous faites fonctionner la pompe dans cette condition, le tuyau et les raccords vont être mis sous pression, ce qui fait augmenter les risques d'éclatement. La pompe et ses composants peuvent alors être endommagés.*

ENTRETIEN

1. Inspectez les tuyaux et les branchements quotidiennement. Remplacez les composants endommagés immédiatement et ce, seulement par des pièces autorisées par le fabricant.
2. Serrez les raccords selon les besoins. Utilisez un scellant pour filets de tuyaux qui ne durcit pas lors de l'entretien des branchements.
3. Utilisez seulement du liquide hydraulique de bonne qualité. Il est recommandé d'utiliser de l'huile pour cric hydraulique de première qualité.

Ajouter un liquide hydraulique

1. Dépressurisez le tuyau hydraulique et débranchez-le de l'appareil auquel il est relié.
2. Une fois que la pompe est debout, dans sa position horizontale, enlevez le bouchon de l'évent situé sur la plaque supérieure du réservoir.
3. Utilisez un petit entonnoir pour remplir le réservoir jusqu'à ce que le niveau d'huile se trouve à une distance inférieure à 19 mm (3/4 po) par rapport à l'ouverture.
4. Nettoyez tout liquide renversé et remettez le bouchon.

AVIS : *Utilisez seulement de l'huile hydraulique de bonne qualité. Évitez de mélanger différents types de liquides et n'utilisez JAMAIS de liquide pour frein, d'huile de turbine, de liquide de transmission, d'huile moteur ou de glycérine. L'utilisation d'un liquide inapproprié peut entraîner une défaillance prématurée d'équipement et causer une chute potentielle soudaine et immédiate de charge. Il est recommandé d'utiliser de l'huile pour cric hydraulique de première qualité.*

Changer le liquide hydraulique

Afin d'obtenir une performance et une durée de vie optimales, remplacez complètement l'huile au moins une fois par année.

1. Dépressurisez le tuyau hydraulique et débranchez-le de l'appareil auquel il est relié.
2. Une fois que la pompe est debout, dans sa position horizontale, enlevez le bouchon de l'évent situé sur la plaque supérieure du réservoir.
3. Versez le liquide dans un contenant pouvant être scellé.
4. Jetez le liquide en respectant la réglementation environnementale locale.
5. Mettez une huile hydraulique de bonne qualité selon les recommandations énoncées précédemment. Remettez le bouchon de l'évent.

Lubrifier

Utilisez une huile légère pour machine afin de lubrifier les points de pivotement, les charnières, etc.

Lorsque la pompe n'est pas utilisée ou qu'elle est rangée :

1. Dépressurisez les tuyaux hydrauliques et débranchez-les de l'appareil auxquels ils sont reliés.
2. Nettoyez le tout vigoureusement.
3. Rangez la pompe dans un endroit sec et propre. Évitez les températures extrêmes.
4. Pour ranger la pompe pendant une longue période de temps ou la transporter, remplacez le bouchon de l'évent (couleur noire) par le bouchon de livraison (couleur rouge).
5. Protégez la pompe avec un couvercle de protection.

GUIDE DE DÉPANNAGE

| Problème | Causes possibles | Mesure corrective |
|----------------------------------------------------------------------------------------------------------|------------------------------------------------------------------------------------------------------------------------------------------------------------------------------------------------------|--------------------------------------------------------------------------------------------------------------------------------------------------------------------------------------------------------------------------------------------------------------------------------------------------------------------------------------------------------------------------------------|
| Appareil ne réagissant pas sous l'action du liquide pressurisé | <ul style="list-style-type: none"> • Surcharge • Raccords lâches • Raccords défectueux • Défaillance de la pompe • Alimentation en air inadéquate | <ul style="list-style-type: none"> • Remédiez au problème de surcharge. • Serrez les raccords. • Remplacez les raccords. • Communiquez avec le service à la clientèle. • Assurez-vous que la source d'air peut envoyer un débit de 0,22 m³/min, 758 à 1 206 kPa (7,8 pi³/min, 110 à 175 lb/po²). |
| Appareil réagissant sous l'action du liquide pressurisé, mais la pression du système ne se maintient pas | <ul style="list-style-type: none"> • Surcharge • Défaillance de pompe ou de soupape • Appareil ou branchements qui fuient | <ul style="list-style-type: none"> • Remédiez au problème de surcharge. • Communiquez avec le service à la clientèle. • Remplacez l'appareil ou refaites les branchements. |
| Appareil prenant plus de temps pour réagir que normalement | <ul style="list-style-type: none"> • Raccord ou branchement lâche • Raccord ou tuyau hydraulique avec écoulement restreint • Appareil ou branchements qui fuient | <ul style="list-style-type: none"> • Serrez les branchements ou les raccords. • Nettoyez et remplacez les raccords ou les tuyaux s'ils sont endommagés. • Remplacez l'appareil ou refaites les branchements. |
| Appareil ne renvoyant pas de liquide à la pompe (c.-à-d. que le vérin ne rentrera pas) | <ul style="list-style-type: none"> • Raccord défaillant, appareil endommagé | <ul style="list-style-type: none"> • Retenez la charge par d'autres moyens. Dépressurisez la pompe et le tuyau, enlevez le raccord ou l'appareil, puis remplacez-le ou refaites le branchement. |
| Appareil n'exécutant pas tout son mouvement (vérin ou écarteur) | <ul style="list-style-type: none"> • Niveau de liquide de la pompe bas | <ul style="list-style-type: none"> • Retenez la charge par d'autres moyens. Dépressurisez la pompe et le tuyau, enlevez l'appareil, puis mettez du liquide jusqu'à ce qu'il atteigne le bon niveau. |
| Performance médiocre | <ul style="list-style-type: none"> • Niveau de liquide de la pompe bas | <ul style="list-style-type: none"> • Assurez-vous que le niveau de liquide est adéquat. |

PIÈCES DE RECHANGE

Pièces remplaçables : Veuillez consulter le dessin des pièces lorsque vous commandez des pièces. Ce ne sont pas toutes les pièces de la pompe qui peuvent être remplacées, mais elles sont illustrées pour montrer leur emplacement ainsi que leur position pour l'assemblage. Lorsque vous commandez des pièces, fournissez le numéro du modèle, le numéro de série et la description de la pièce ci-dessous. Pour connaître les prix actuels, appelez-nous ou écrivez-nous : SFA Companies, 10939 N. Pomona Ave. Kansas City, MO 64153, É.-U., téléphone : 1 888 332-6419, télécopieur : 1 816 891-6599, site Web de Omega : <http://www.omegalift.com>, courriel : sales@omegalift.com.

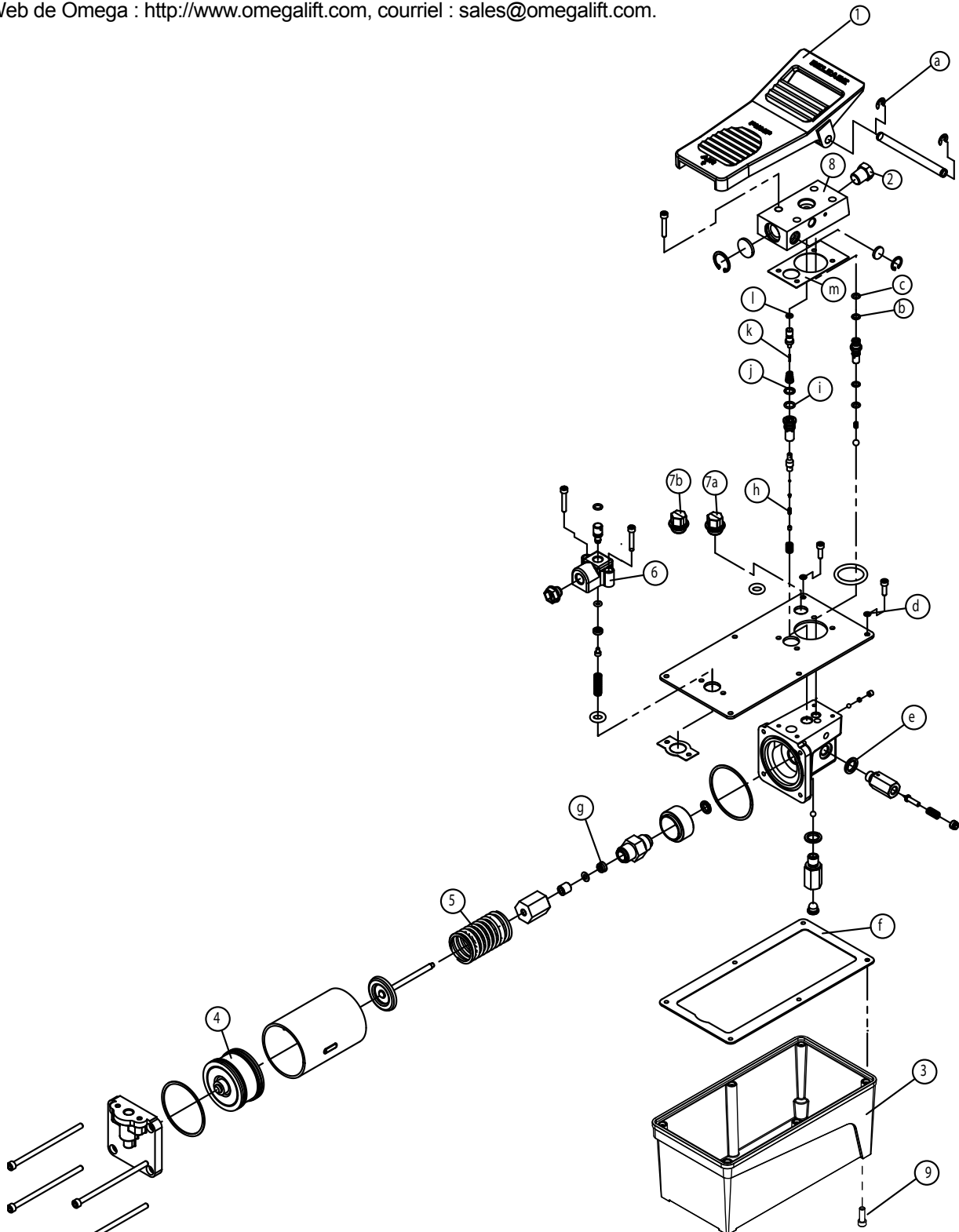


Figure 3 : Illustration des pièces de rechange (modèle 22903B)

| Pièce | N° de pièce pour modèles : | | | | Description | Qté |
|-------|----------------------------|----------------|----------------|----------------|------------------------------------------------------------|-----|
| | 22903 | 22903B | 22905 | 22907 | | |
| 1 | A57-6-2001-108 | | A57-4-6003-100 | | Pédale | 1 |
| 2 | D05-6-1001-106 | | | | Bouchon du collecteur | 1 |
| 3 | A57-6-1601-107 | A57-6-6015-109 | A58-5-1602-100 | A57-6-6007-201 | Réservoir | 1 |
| 4 | A17-4-2100-500 | | | | Assemblage du piston du vérin à air comprimé | 1 |
| 5 | 512-2-0410-017 | | | | Ressort de compression | 1 |
| 6 | A57-6-5001-103 | | | | Base de l'entrée d'air | 1 |
| 7a | A57-3-5007-107 | | | | Bouchon de livraison (rouge) | 1 |
| 7b | A57-3-1900-109 | | | | Bouchon de l'évent (noir) | 1 |
| 8 | A57-6-4001-209 | | A57-6-6004-104 | | Collecteur d'huile | 1 |
| 9 | S.O. | 649-1-0063-605 | S.O. | | Boulon de fixation | 4 |
| a-m | A57-3-9901-101 | A57-3-9901-101 | A58-3-9903-102 | A57-3-9911-104 | Trousse de réparation (comprend les pièces de a à m) | 1 |

GARANTIE LIMITÉE DE 1 AN

Pendant une période d'un (1) an, à partir de la date d'achat, SFA Companies réparera ou remplacera, à sa discrétion, sans frais, tous ses produits qui, utilisés dans des conditions normales, sont défectueux à cause d'un défaut de matériel ou de fabrication. Cette garantie limitée est le seul recours du consommateur.

Pour bénéficier du service offert par la garantie, il faut retourner le produit couvert par celle-ci, port payé, à SFA Companies, Warranty Service Department, 10939 N. Pomona Ave., Kansas City, MO 64153, États-Unis.

Sauf dans les cas où les limitations et les exclusions décrites dans ce paragraphe sont spécifiquement interdites par la loi : (1) LE SEUL RECOURS DU CONSOMMATEUR EST DE FAIRE RÉPARER OU REMPLACER LES PRODUITS DÉFECTUEUX COMME DÉCRIT CI-DESSUS; (2) SFA COMPANIES NE SERA PAS TENUE RESPONSABLE DES DOMMAGES CONSÉCUTIFS OU INDIRECTS OU DE PERTES QUELCONQUES; (3) TOUTE GARANTIE IMPLICITE, CE QUI INCLUT SANS LIMITATION LES GARANTIES IMPLICITES DE COMMERCIALITÉ ET D'ADAPTATION À UN USAGE PARTICULIER, SERA LIMITÉE À UN AN, À DÉFAUT DE QUOI LA RÉPARATION, LE REMPLACEMENT OU LE REMBOURSEMENT, SELON CETTE GARANTIE EXPRESSE LIMITÉE, CONSTITUE LE SEUL RECOURS DU CLIENT, ET REMPLACE TOUTE AUTRE GARANTIE, IMPLICITE OU EXPRESSE; (4) TOUTE MODIFICATION, ALTÉRATION, UTILISATION ABUSIVE OU NON AUTORISÉE OU DÉCORATION ORNEMENTALE ANNULE CETTE GARANTIE ET N'EST PAS COUVERTE PAR CELLE-CI.

Certaines provinces et certains États ne permettent pas de limiter la durée d'une garantie implicite et il est donc possible que la limitation décrite ci-dessus ne s'applique pas. Certaines provinces et certains États ne permettent pas d'exclure ou de limiter les dommages consécutifs ou indirects et il est donc possible que la limitation ou l'exclusion mentionnée ci-dessus ne s'applique pas. Cette garantie vous confère des droits particuliers et il est aussi possible que vous puissiez jouir d'autres droits qui varient d'une province à l'autre et d'un État à l'autre.



SFA Companies
10939 N. Pomona Ave., Kansas City, MO 64153
1 888 332-6419
sales@omegalift.com

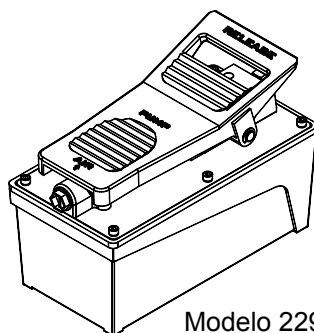
Manual de piezas e instrucciones de funcionamiento



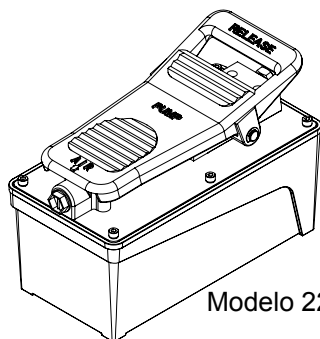
Bomba de pedal hidráulica accionada por aire

Modelo
22903
22903B
22905
22907

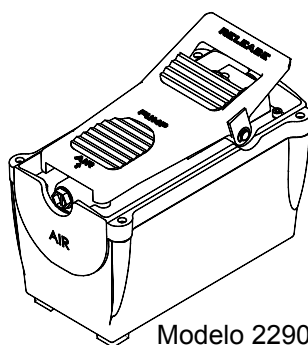
Presión de funcionamiento máx.
10 000 PSI (700 bar)
10 000 PSI (700 bar)
10 000 PSI (700 bar)
10 000 PSI (700 bar)



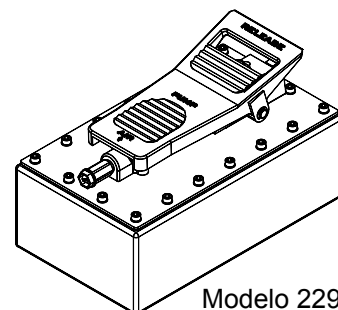
Modelo 22903



Modelo 22903B



Modelo 22905



Modelo 22907

Patente de EE. UU. N.º 5,341,723



Este es el símbolo de alerta de seguridad. Se usa para alertar sobre peligros potenciales de lesiones personales.

Obedezca todos los mensajes de seguridad que tengan este símbolo, para evitar posibles lesiones personales o la muerte.

SFA Companies

<http://www.omegalift.com>

Lea este manual y respete todas las reglas de seguridad y las instrucciones de funcionamiento antes de usar este producto.

Impreso en Taiwán
22903-M0_072012

INFORMACIÓN GENERAL Y DE SEGURIDAD

Conserve estas instrucciones. Para su seguridad, lea, comprenda y siga la información que viene con este dispositivo antes de su uso. El propietario u operador debe tener conocimientos sobre el dispositivo, sus características operativas y las instrucciones para un funcionamiento seguro antes de utilizar el equipo. El propietario u operador debe tener presente que el uso y la reparación de este producto podrían requerir habilidades y conocimientos especiales. Es preciso leer y analizar las instrucciones y la información de seguridad con el operador, en su lengua materna, a fin de asegurarse de que el operador comprenda su contenido antes de recibir autorización para el uso de este equipo. Si tiene dudas sobre el uso seguro y adecuado de este dispositivo, proceda a sacarlo de servicio de inmediato.

Inspeccione el dispositivo antes de cada uso. No use el dispositivo si presenta anomalías, como grietas en la soldadura, o piezas dañadas, flojas o faltantes. Debe sacar de servicio todo equipo que presente daños, de la naturaleza que fueren, esté gastado o funcione mal hasta su reparación. Si tiene la sospecha o la certeza de que el equipo fue sometido a una carga o sufrió un impacto anormal, interrumpa el uso de inmediato hasta que sea controlado por un centro de reparación autorizado por la fábrica (comuníquese con el distribuidor o fabricante para obtener una lista de los centros de reparación autorizados). Se recomienda realizar una inspección anual a cargo de un centro de reparaciones autorizado. Las etiquetas y los manuales del operador están disponibles por parte del fabricante.

DESCRIPCIÓN DEL PRODUCTO

Las bombas de pie neumáticas están diseñadas para cumplir con las normas de la industria de rendimiento y seguridad. Las bombas accionadas con el pie suministran líquido hidráulico comprimido a las aplicaciones compatibles; esto es, arietes, prensas, separadores, compactadores y máquinas de prensar, siempre que sea necesaria una presión líquida de 10 000 PSI (700 bar). Las tareas específicas podrían requerir habilidades, conocimientos y capacitación especiales, por lo que es posible que el producto no sea apropiado para todos los trabajos descritos arriba. Las aplicaciones inapropiadas incluyen aquellas aplicaciones donde el dispositivo debe desplazarse, nivelarse o soportar a personas, animales, materiales peligrosos, casas rodantes, viviendas en general, espejos o moldes de vidrio y/o acoplar/fijar ventanillas, componentes, etc. entre particiones. Es el usuario quien debe decidir en última instancia si el producto es apropiado para una tarea determinada y asumir la responsabilidad por la seguridad propia y de otras personas en el área de trabajo.

ESPECIFICACIONES

| Número de modelo | Capacidad de aceite utilizable (pulg. ³) | Presión nominal (PSI) | Caudal de salida (pulg. ³ /min) | | Presión de aire de entrada (PSI) | Rosca del puerto de salida (aceite) | Roscas del puerto de entrada (aire) |
|------------------|------------------------------------------------------|-----------------------|--------------------------------------------|-----------|----------------------------------|-------------------------------------|-------------------------------------|
| | | | Sin carga | Con carga | | | |
| 22903 | 91,5 | 10 000 | 66 | 11 | 110 - 175 | 3/8"-18 NPTF | 1/4"-18 NPT |
| 22903B | 91,5 | | 66 | 11 | | | |
| 22905 | 122 | | 65 | 12 | | | |
| 22907 | 231,9 | | 65 | 12 | | | |

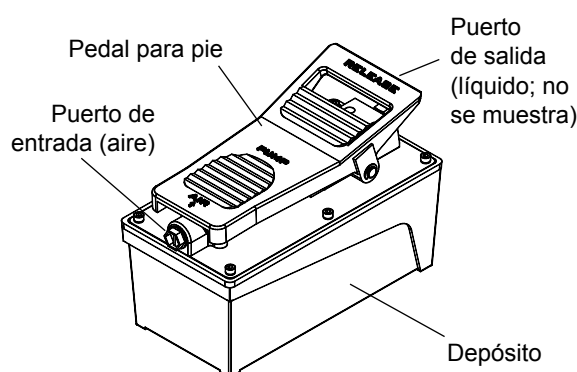


Figura 1: Componentes del modelo 22903 (22903B viene con pernos de montaje)

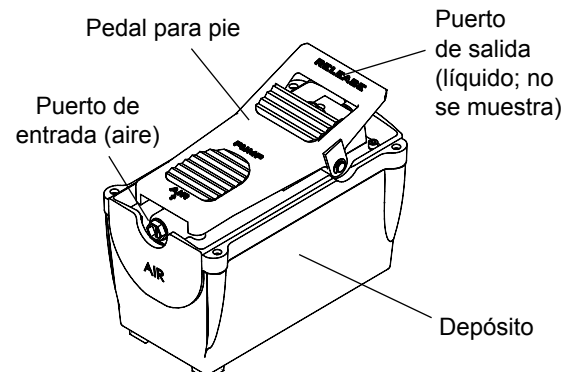


Figura 2: Componentes de los modelos 22905 y 22907 (se muestra 22905)

ADVERTENCIA



- *Estudie, comprenda y siga todas las instrucciones antes de poner en funcionamiento este dispositivo.*

- *No deben hacerse modificaciones a este dispositivo.*



- *Siempre use traje de protección cuando opere equipos hidráulicos.*

- *Mantenga los equipos hidráulicos alejados de las llamas y el calor. El líquido hidráulico puede encenderse y arder. No opere los equipos si detecta fugas.*



- *Hay riesgo de explosión si la presión de la manguera o conexión excede la presión nominal. No exceda la capacidad establecida de este dispositivo.*

- *Verifique que las mangueras y las conexiones no estén dañadas antes de su uso.*
- *No someta a la bomba ni a sus componentes a cargas de impacto.*
- *No la conecte a una aplicación que devuelva más aceite al depósito de la bomba de lo que este puede soportar.*
- *Para reducir el riesgo de lesiones personales o daños a la propiedad, las conexiones hidráulicas deben sujetarse firmemente antes de la acumulación de presión en el sistema. Libere toda la presión del sistema antes de aflojar cualquier conexión hidráulica en el sistema.*
- *Monitoree permanentemente la presión, la carga y la posición con un equipo adecuado. La presión puede monitorearse por medio de un múltiple y un medidor opcionales. La carga puede monitorearse por medio de una celda de carga y un indicador digital.*
- *Para reducir el riesgo de lesiones personales o daños a la propiedad, asegúrese de que la presión de trabajo nominal de cada accesorio presurizado sea igual o mayor que la presión de trabajo nominal desarrollada por la bomba hidráulica.*
- *Siempre verifique las conexiones antes de su uso. Las modificaciones a estos productos están rotundamente prohibidas. Use solo aquellos adaptadores y accesorios provistos y aprobados por el fabricante.*
- *Si no se respetan estas indicaciones, podrían producirse lesiones personales o daños a la propiedad.*

ANTES DEL USO

1. Procure familiarizarse con las especificaciones e ilustraciones de este manual del propietario. Infórmese sobre la bomba, sus limitaciones y sus características de funcionamiento antes de intentar utilizarla. Consulte la tabla de especificaciones para ver detalles sobre el tamaño de la rosca del puerto de aceite, la capacidad de aceite utilizable y mucho más. Si tiene dudas, llame al Servicio técnico de Omega al (888) 332-6419.
2. Reemplace el tapón de embalaje (rojo) por el tapón de purga de aire (negro) antes de su uso.
3. **Conexión neumática:** Quite la tapa de plástico y fije las conexiones del puerto roscado de suministro de aire con sellador para roscas de tubería que no se endurece de alto grado. Puede utilizarse cinta de teflón si solo se emplea una de las capas de la cinta y esta se aplica con cuidado, dos roscas detrás, para evitar que la cinta penetre en el sistema hidráulico, lo cual podría ocasionar atascos en las piezas con ajuste de precisión. Ajuste los accesorios. El puerto de entrada de aire está diseñado para adaptarse a los conectores de aire comunes de 1/4" (0,6 cm) NPT (no incluidos). Asegúrese de que la fuente de aire pueda dedicar 7,8 CFM a 110~175 psi (7,5 a 12 bar) a cada bomba en funcionamiento.
4. **Conexión hidráulica:** Limpie todas las áreas de aplicación, alrededor del puerto de aceite de la bomba. Examine todas las roscas y los accesorios en busca de signos de desgaste o daño y reemplácelos según sea necesario. Limpie todos los extremos de la manguera, los acopladores y los extremos de la unión. Quite el tapón del múltiple y fije las conexiones del puerto roscado con sellador para roscas de tubería que no se endurece de alto grado. Puede utilizarse cinta de teflón si solo se emplea una de las capas de la cinta y esta se aplica con cuidado, dos roscas detrás, para evitar que la cinta penetre en el sistema hidráulico, lo cual podría ocasionar atascos en las piezas con ajuste de precisión. Ajuste los accesorios y conéctelos a la aplicación.

FUNCIONAMIENTO

1. Para extender el cilindro, accione el pedal para pie que dice "*Bomba*" (la porción horizontal) hasta alcanzar la presión, la carga o la posición deseadas.
2. Para sostener el cilindro en posición, libere el pedal para pie para desactivar la bomba.
3. Para retraer el cilindro, accione la válvula de liberación; para ello, oprima el pedal para pie que dice "*Liberar*" (la porción levantada en forma de estribo).

AVISO: *No haga funcionar la bomba si está desconectada de la aplicación. El funcionamiento en estas condiciones hará que la manguera y las conexiones se presuricen, lo que aumenta el riesgo de explosión. Esto podría causar daños en la bomba y sus componentes.*

MANTENIMIENTO

1. Inspeccione las mangueras y las conexiones diariamente. Reemplace los componentes dañados de inmediato solo con piezas de repuesto autorizadas de fábrica.
2. Ajuste las conexiones si es necesario. Use compuesto para roscas de tubería que no se endurece cuando repare las conexiones.
3. Use solo líquido hidráulico de buena calidad. Se recomienda el uso de aceite para gato hidráulico de alta calidad.

Agregado de líquido hidráulico

1. Despresurice y desconecte la manguera hidráulica de la aplicación.
2. Con la bomba en posición recta y horizontal, quite el tapón de purga de aire ubicado en la placa superior del depósito.
3. Use un embudo pequeño para llenar el depósito hasta 3/4" (19 mm) de la abertura.
4. Limpie el líquido derramado y vuelva a colocar el tapón de purga de aire.

AVISO: *Use solo aceite hidráulico de buena calidad. Evite mezclar diferentes tipos de líquidos y NUNCA use líquido de frenos, aceite de turbinas, líquido de transmisión, aceite de motor ni glicerina. El uso de un líquido inadecuado puede provocar fallas prematuras en el equipo y posibles pérdidas de carga repentinas e inmediatas. Se recomienda el uso de aceite para gato hidráulico de alta calidad.*

Cambio de líquido hidráulico

Para lograr el mejor rendimiento y una vida útil más prolongada, cambie el suministro completo de líquido por lo menos una vez al año.

1. Despresurice y desconecte la manguera hidráulica de la aplicación.
2. Con la bomba en posición recta y horizontal, quite el tapón de purga de aire ubicado en la placa superior del depósito.
3. Vierta el líquido usado en un recipiente hermético.
4. Deseche el líquido conforme a las reglamentaciones ambientales locales.
5. Llène con aceite hidráulico de buena calidad, conforme a lo indicado arriba. Vuelva a colocar el tapón de purga de aire.

Lubricación

Utilice aceite ligero para máquinas para lubricar los puntos de giro, las bisagras, etc.

Cuando no esté en uso o durante el almacenamiento:

1. Despresurice y desconecte las mangueras hidráulicas de la aplicación.
2. Limpie el dispositivo cuidadosamente.
3. Guárdelo en un entorno limpio y seco. Evite las temperaturas extremas.
4. Para el transporte o el almacenamiento prolongado, reemplace el tapón de purga de aire (negro) por el tapón de embalaje (rojo).
5. Proteja la bomba con una cubierta protectora.

GUÍA DE LOCALIZACIÓN Y SOLUCIÓN DE AVERÍAS

| Síntoma | Causas posibles | Medidas correctivas |
|----------------------------------------------------------------------------------------|---------------------------------------------------------------------------------------------------------------------------------------------------------------------------------------------------------------------------------------------------------------------|---------------------------------------------------------------------------------------------------------------------------------------------------------------------------------------------------------------------------------------------------------------------------------------------------------------------|
| La aplicación no se extiende, no se mueve ni tampoco responde al líquido presurizado. | <ul style="list-style-type: none"> • Hay un estado de sobrecarga. • Los acopladores están flojos. • Los acopladores están defectuosos. • La bomba no funciona correctamente. • La presión de aire es inadecuada. | <ul style="list-style-type: none"> • Solucione el estado de sobrecarga. • Ajuste los acopladores. • Reemplace los acopladores. • Comuníquese con el centro de servicio. • Asegúrese de que la fuente de aire pueda dedicar 7,8 CFM a 110~175 psi (7,5 a 12 bar). |
| La aplicación responde al líquido presurizado, pero el sistema no mantiene la presión. | <ul style="list-style-type: none"> • Hay un estado de sobrecarga. • La bomba o la válvula no funcionan correctamente. • Hay fugas en la aplicación/ conexión. | <ul style="list-style-type: none"> • Solucione el estado de sobrecarga. • Comuníquese con el centro de servicio. • Reemplace la aplicación/conexión. |
| La aplicación responde más lentamente que lo normal. | <ul style="list-style-type: none"> • Hay conexiones o acopladores sueltos. • Hay líneas o accesorios hidráulicos restringidos. • Hay fugas en la aplicación/ conexión. | <ul style="list-style-type: none"> • Ajuste las conexiones o los acopladores. • Limpie y reemplace las piezas si están dañadas. • Reemplace la aplicación/conexión. |
| La aplicación no devuelve el líquido a la bomba (es decir, el cilindro no se retrae). | <ul style="list-style-type: none"> • El acoplador está defectuoso o la aplicación está dañada. | <ul style="list-style-type: none"> • Sujete la carga por otros medios. Despresurice la bomba y la manguera, quite el acoplador o la aplicación y cámbielos o reemplácelos. |
| La aplicación no se extiende por completo (cilindro o separador). | <ul style="list-style-type: none"> • El nivel de líquido de la bomba está bajo. | <ul style="list-style-type: none"> • Sujete la carga por otros medios. Despresurice la bomba y la manguera, quite la aplicación y llene con líquido hasta el nivel adecuado. |
| La capacidad es deficiente. | <ul style="list-style-type: none"> • El nivel de líquido de la bomba está bajo. | <ul style="list-style-type: none"> • Asegúrese de que el nivel de líquido sea el adecuado. |

PIEZAS DE REPUESTO

Piezas disponibles: Consulte el dibujo de las piezas cuando haga un pedido. No todos los componentes de la bomba tienen reemplazo, pero se ilustran a modo de referencia práctica de la ubicación y la posición que ocupan en la secuencia del conjunto. Cuando realice el pedido de piezas, indique el número de modelo, el número de serie y la siguiente descripción. Para obtener el precio vigente, comuníquese a: SFA Companies, 10939 N. Pomona Ave. Kansas City, MO 64153, U.S.A. Tel.: (888) 332-6419; Fax: (816) 891-6599 Sitio web de Omega: <http://www.omegalift.com>; correo electrónico: sales@omegalift.com

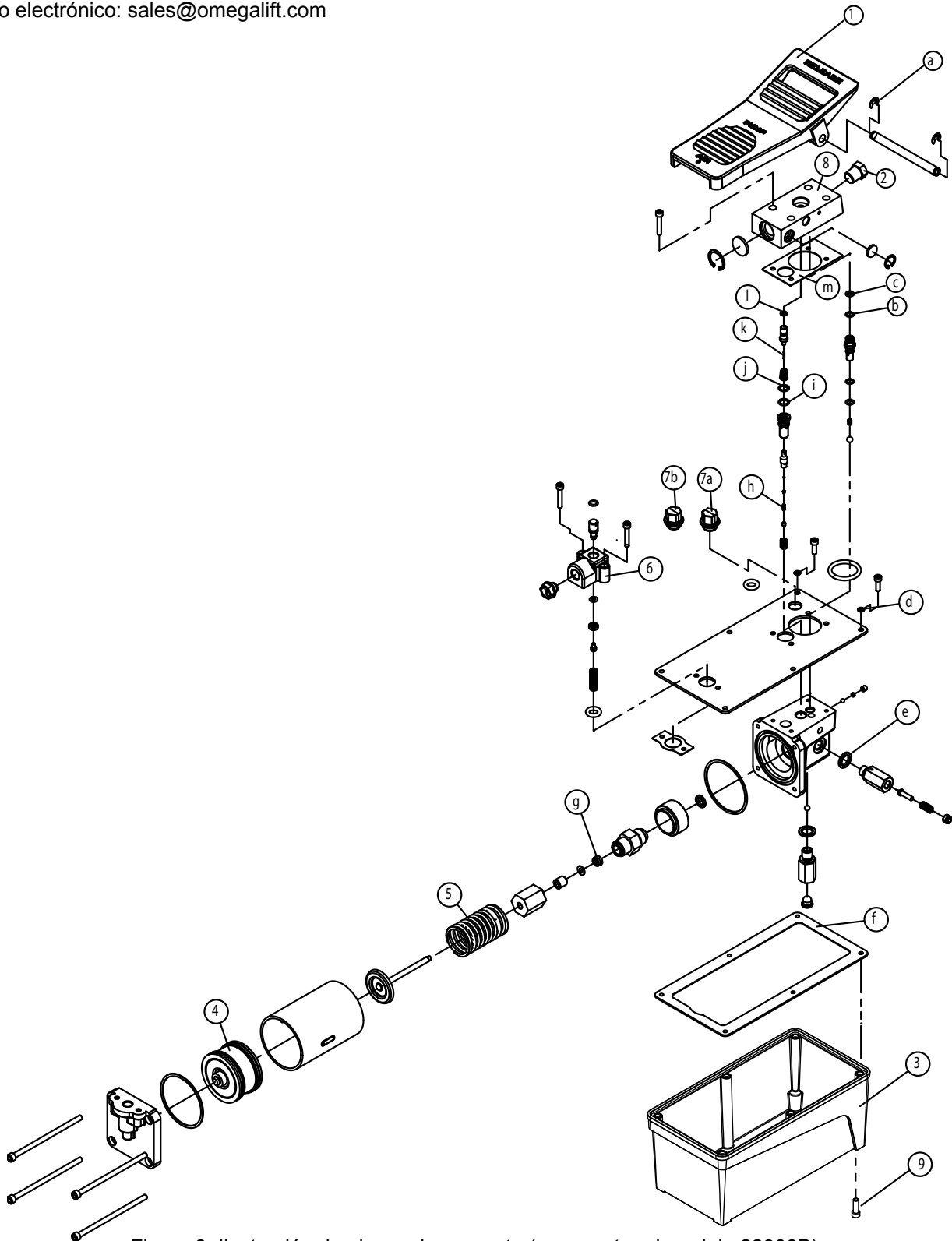


Figura 3: Ilustración de piezas de repuesto (se muestra el modelo 22903B)

| Elem. | N.º de pieza para el modelo | | | | Descripción | Cant. |
|-------|-----------------------------|----------------|----------------|----------------|----------------------------------------------|-------|
| | 22903 | 22903B | 22905 | 22907 | | |
| 1 | A57-6-2001-108 | | A57-4-6003-100 | | Pedal para pie | 1 |
| 2 | D05-6-1001-106 | | | | Tapón del múltiple | 1 |
| 3 | A57-6-1601-107 | A57-6-6015-109 | A58-5-1602-100 | A57-6-6007-201 | Depósito | 1 |
| 4 | A17-4-2100-500 | | | | Conjunto del pistón neumático | 1 |
| 5 | 512-2-0410-017 | | | | Resorte de compresión | 1 |
| 6 | A57-6-5001-103 | | | | Base de entrada de aire | 1 |
| 7a | A57-3-5007-107 | | | | Tapón de embalaje (rojo) | 1 |
| 7b | A57-3-1900-109 | | | | Tapón de purga de aire (negro) | 1 |
| 8 | A57-6-4001-209 | | A57-6-6004-104 | | Múltiple de aceite | 1 |
| 9 | NC | 649-1-0063-605 | NC | | Perno de montaje | 4 |
| a-m | A57-3-9901-101 | A57-3-9901-101 | A58-3-9903-102 | A57-3-9911-104 | Kit de reparación (incluye las piezas a - m) | 1 |

GARANTÍA LIMITADA DE UN AÑO

Por el período de un (1) año desde la fecha de compra, SFA Companies reparará o reemplazará, a su discreción, sin costo alguno, cualquier producto que presente fallas debido a defectos de materiales o mano de obra bajo condiciones normales de uso. Esta garantía limitada es un recurso exclusivo del consumidor.

El cumplimiento de toda obligación en virtud de esta garantía puede obtenerse con el envío del producto en garantía, con flete abonado en origen, a SFA Companies Warranty Service Department, 10939 N. Pomona Ave., Kansas City, MO 64153.

Salvo que tales limitaciones y exclusiones estén específicamente prohibidas por las leyes vigentes, (1) EL ÚNICO Y EXCLUSIVO RECURSO DEL CONSUMIDOR SERÁ LA REPARACIÓN O EL REEMPLAZO DE LOS PRODUCTOS DEFECTUOSOS, COMO SE DETALLA ARRIBA. (2) SFA Companies NO SERÁ RESPONSABLE, EN NINGÚN CASO, POR DAÑOS O PÉRDIDAS EMERGENTES O INCIDENTALES. (3) TODA GARANTÍA IMPLÍCITA, LO QUE INCLUYE, ENTRE OTRAS, LAS GARANTÍAS IMPLÍCITAS DE COMERCIALIZACIÓN Y APTITUD PARA FINES ESPECÍFICOS, ESTARÁ LIMITADA A UN AÑO; DE OTRO MODO, LA REPARACIÓN, EL REEMPLAZO O LA DEVOLUCIÓN DE DINERO CONFORME A ESTA GARANTÍA LIMITADA EXPRESA SERÁ EL EXCLUSIVO RECURSO DEL CONSUMIDOR, Y SE OFRECE EN LUGAR DE CUALQUIER OTRA GARANTÍA, EXPRESA O IMPLÍCITA. (4) CUALQUIER MODIFICACIÓN, ALTERACIÓN, USO INDEBIDO, SERVICIO NO AUTORIZADO O DISEÑO ORNAMENTAL ANULARÁ ESTA GARANTÍA Y NO ESTARÁ CUBIERTO POR ESTA GARANTÍA.

Algunos estados no permiten la limitación de la duración de las garantías implícitas, por lo que las limitaciones anteriores pueden no aplicarse en su caso. Algunos estados no permiten excluir o limitar los daños emergentes o incidentales, por lo tanto esta limitación o exclusión puede no ser aplicable en su caso. Esta garantía le otorga derechos legales específicos. Usted puede tener además otros derechos que varían de un estado a otro.



SFA Companies
10939 N. Pomona Ave. Kansas City, MO 64153
(888) 332-6419
sales@omegalift.com