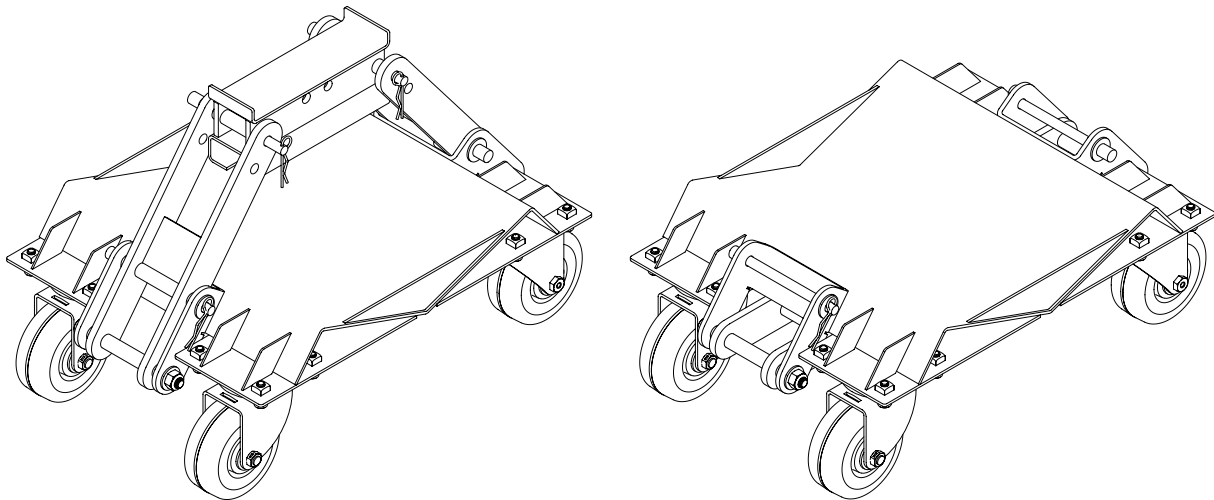


OMEGALIFT™ EQUIPMENT

Car Dolly

Model
47020

Capacity
2,000 lbs./Dolly



Patent No. 9,376,132



This is the safety alert symbol. It is used to alert you to potential personal injury hazards. Obey all safety messages that follow this symbol to avoid possible injury or death.

!WARNING

- Read, understand and follow the instructions before using the product.
- The operating manual and safety information should be communicated in the native language of the operator before use.
- Failure to do so may cause personal injury and or property damage.

SFA Companies
<http://www.omegalift.com>

Read this manual and follow all the Safety Rules and Operating Instructions before using this product

SAFETY AND GENERAL INFORMATION

Save these instructions. For your safety, read, understand, and follow the information provided with and on this product before using. The owner and/or operator of this equipment shall have an understanding of this equipment and safe operating procedures before attempting to use. The owner and/or operator shall be aware that use and repair of this product may require special skills and knowledge. Instructions and safety information shall be conveyed in the operator's native language before use of this product is authorized. If any doubt exists as to the safe and proper use of this wheel dolly, remove from service immediately.

Inspect before each use. Do not use if broken, bent, cracked, or damaged parts (including labels) are noted. Any tire cart that appears damaged in any way, operates abnormally or is missing parts, shall be removed from service immediately and the manufacturer notified. If you suspect that the product was subjected to a shock load (a load dropped suddenly, unexpectedly upon it), immediately discontinue use until it has been checked by a factory authorized service center (contact distributor or manufacturer for list of Authorized Service Centers). Replace worn or damaged parts with Omega Authorized Replacement Parts only. Labels and owner's manuals are available from manufacturer.

PRODUCT DESCRIPTION

The Omega 47020 Car Dolly is designed to ease the movement and storage of vehicles. Like typical car dollies, they have a platform that supports a vehicle's wheel. In addition, they have an integrated stand that can be set up without the use of any tools that can support a vehicle by its frame. This allows the same set of dollies to be used both under vehicles with wheels and vehicles that have had their wheels removed. Each dolly has a rated capacity of 2,000 pounds in all configurations. Each dolly can also be stacked on top of another dolly to minimize storage space.

SPECIFICATIONS

Model	Capacity per Dolly	Caster Dia.	Overall Minimum Size (L x W x H)	Overall Maximum Size (L x W x H)
47020	2,000 lbs	4"	20-1/2" x 13-7/8" x 7"	20-1/2" x 13-7/8" x 14-7/8"

!WARNING

Study, understand, and follow all instructions before operating the device. Do Not exceed rated capacity. Use only on hard level surface capable of supporting the load. Before moving the vehicle, ensure that the vehicle wheels are centered and secure. Activate the wheel- and / or caster-locking devices after moving a vehicle. Never work on, around, or under a vehicle supported by vehicle-moving dollies. Use of this product is limited to transporting only. No alterations shall be made to this device. Failure to heed and understand these instructions may result in personal injury and / or property damage.

BEFORE USE

1. Verify that the product and the application are compatible, if in doubt call **Omega Technical Service (888) 332-6419**. Read the owner's manual completely and familiarize yourself thoroughly with this product, its components, and recognize the hazards associated with its use.
2. Assemble the Dolly as shown in Figure 2.
3. Check to ensure the Car Dolly wheels roll freely and smoothly before putting into service. Replace worn or damaged parts with Factory Authorized Replacement Parts only. Contact the manufacturer or distributor of this product for a list of factory authorized service centers.

OPERATION

1. Lift the vehicle with appropriate means.
2. Position Car Dolly below each wheel.
3. Slowly lower the vehicle onto the dolly.
4. Repeat for each wheel.

NOTE: The Car Dolly is meant to be used in identical pairs on either end of the vehicle. These products are not intended to be used on sides or adjacent corners of the vehicle.

⚠ WARNING Never position any part of your body below the vehicle while using this device. This device is for positioning vehicles in a garage setting.

TRANSFORMING

1. Flip the car dolly over so that its wheels are facing up.
2. Remove the clevis pins that hold the saddle in place and set both the pins and the saddle aside.
3. Rotate the arms to the outside and then flip the dolly back onto its wheels. Ensure remain to the outside of the dolly and are not underneath it.
4. Remove the clevis pins that are stored above the arm pivot, rotate the arms until they are resting on the frame, and then insert the clevis pins through the arms to hold them in place.
5. Align the saddle with the arms and insert the clevis pins removed in step 2 through both arms and the saddle so to complete the stand.

NOTE: The saddle has a flat side meant to go under frame rails and a slotted side meant to be used a pinch weld. Use the appropriate side for you application. Figure 2

NOTE: Make sure all four clevis pins are held in place with a cotter pin.

STACKING

1. Stack Car Dolly's on top of eachother by lining up the casters and inserting them into the provided section, Figure 3.

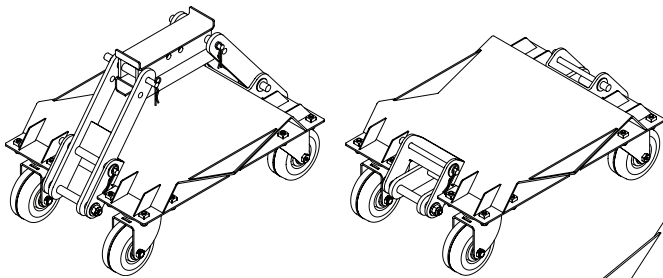


Figure 1 - Assembled Unit

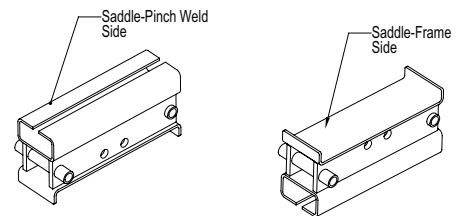


Figure 2 - Saddle Configuration

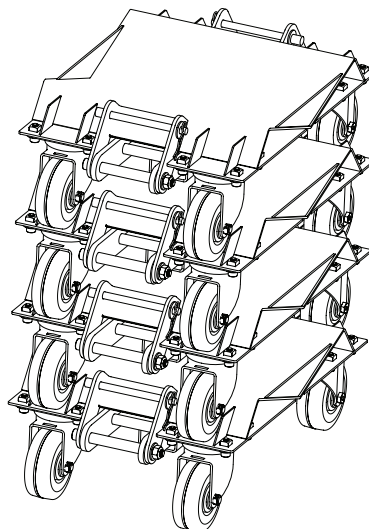
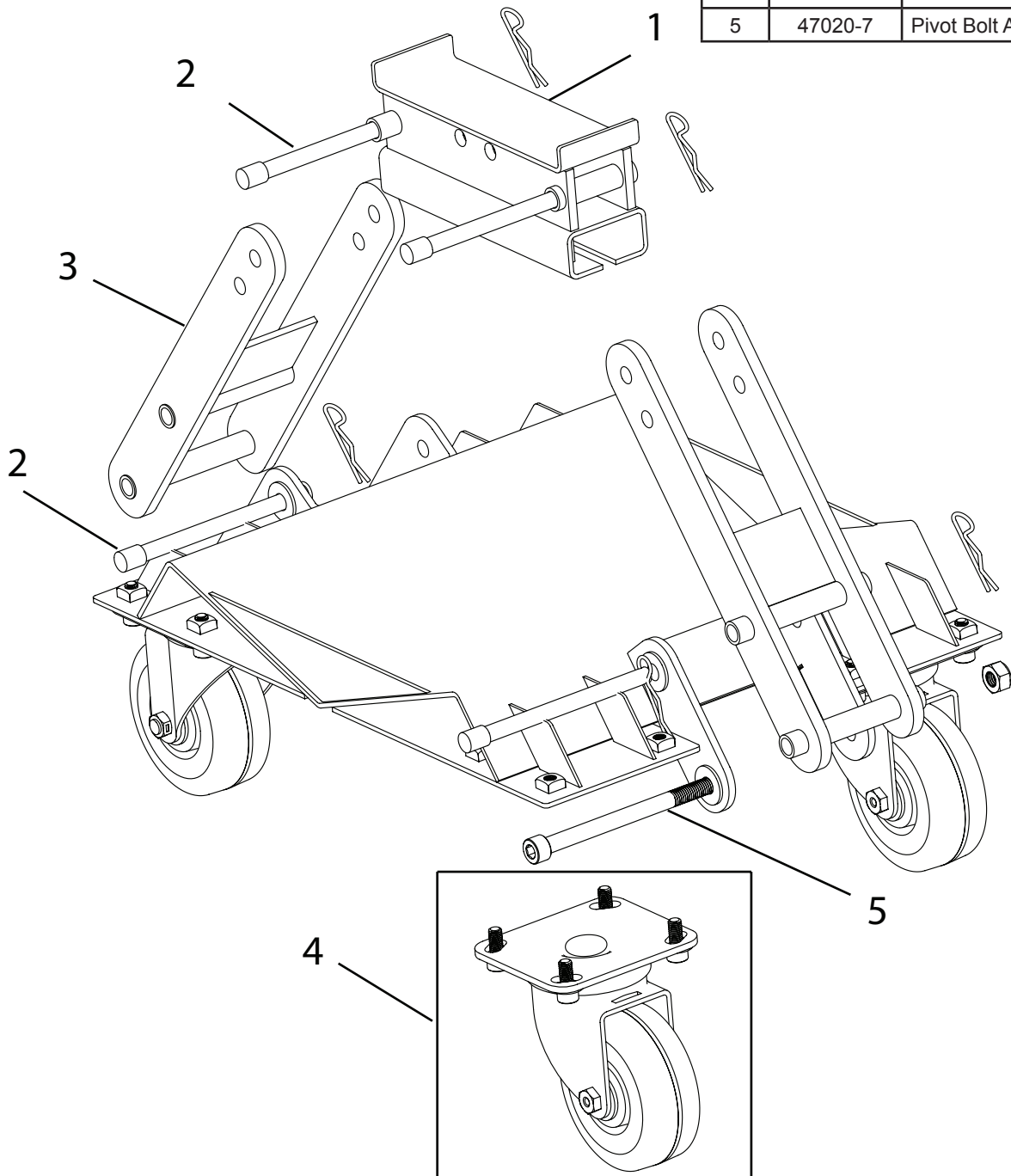


Figure 3 - Stacked Configuration

REPLACEMENT PARTS

Not all components of the Car Dolly are replacement items, but are illustrated as a convenient reference of location and position in the assembly sequence. When ordering parts, give part number and description. Call or write for current pricing: SFA Companies 10939 N. Pomona Ave. Kansas City, MO 64153, U.S.A. E-Mail: sales@omegalift.com
 Tel: (888)332-6419 Fax: (816)891-6599
 Omega Website: <http://www.omegalift.com>

Item	Part No.	Description	Qty
1	47020-1	Saddle	1
2	47020-2	Pin Assy	4
3	47020-3	Arm	2
4	47020-6	Caster Assy.	4
5	47020-7	Pivot Bolt Assy	2



ONE YEAR LIMITED WARRANTY

For a period of one (1) year from date of purchase, SFA Companies will repair or replace, at its option, without charge, any of its products which fails due to a defect in material or workmanship under normal usage. This limited warranty is a consumer's exclusive remedy.

Performance of any obligation under this warranty may be obtained by returning the warranted product, freight prepaid, to SFA Companies Warranty Service Department, 10939 N. Pomona Ave., Kansas City, MO 64153.

Except where such limitations and exclusions are specifically prohibited by applicable law, (1) THE CONSUMER'S SOLE AND EXCLUSIVE REMEDY SHALL BE THE REPAIR OR REPLACEMENT OF DEFECTIVE PRODUCTS AS DESCRIBED ABOVE. (2) SFA Companies SHALL NOT BE LIABLE FOR ANY CONSEQUENTIAL OR INCIDENTAL DAMAGE OR LOSS WHATSOEVER. (3) ANY IMPLIED WARRANTIES, INCLUDING WITHOUT LIMITATION THE IMPLIED WARRANTIES OF MERCHANTABILITY AND FITNESS FOR A PARTICULAR PURPOSE, SHALL BE LIMITED TO ONE YEAR, OTHERWISE THE REPAIR, REPLACEMENT OR REFUND AS PROVIDED UNDER THIS EXPRESS LIMITED WARRANTY IS THE EXCLUSIVE REMEDY OF THE CONSUMER, AND IS PROVIDED IN LIEU OF ALL OTHER WARRANTIES, EXPRESS OR IMPLIED. (4) ANY MODIFICATION, ALTERATION, ABUSE, UNAUTHORIZED SERVICE OR ORNAMENTAL DESIGN VOIDS THIS WARRANTY AND IS NOT COVERED BY THIS WARRANTY.

Some states do not allow limitations on how long an implied warranty lasts, so the above limitation may not apply to you. Some states do not allow the exclusion or limitation of incidental or consequential damages, so the above limitation or exclusion may not apply to you. This warranty gives you specific legal rights, and you may also have other rights, which vary from state to state.

NOTES:



SFA Companies
10939 N. Pomona Ave. Kansas City, MO 64153
888-332-6419
sales@omegalift.com