

6 TON GENERAL PULLER SET

Product #: **J4290B**

- › Makes over 20 of the most often used pullers: Internal, External, Slide Hammer, Rear Axle, Harmonic Balancer, etc.

Contents	Description	QTY
J4260R	T-Handle Slide Rod, 24" Long	1
J4260H	2-1/2 lbs Slide Hammer	1
J4250N	Reversible Adjusting Nut	1
J4250B	Two Jaw Yoke	1
J4255B	Three Jaw Yoke	1
J4205B	Slotted Crossarm, 2-Way/3-Way	1
J4056-6	Reversible Jaw, 6" Reach	3
J4056-4	Reversible Jaw, 4" Reach	3
J4056-2	Inside Jaw, 2" Reach	2
J4056PN	Jaw Pivot Pin	3
J4256S	Inside Hook Jaw	1
J4205S	Forcing Screw	1
J4022T	Standard Detachable Tip	1
J4028	Cap Screw, 3/8"-16 UNC x 3"	3
J4005C	Cap Screw, 3/8"-24 UNF x 3"	3
J4205E	Cap Screw, 3/8"-16 UNC x 4"	3
J4055H	5 lbs Slide Hammer	1
J4275R	Short Slide Rod, 12-3/4" Long	1
J4277B	Rear Axle Flange Foot	1
J4280	Set Puller Blind Bearing	1
J4331	Gear and Bearing Separator	1

Weight (lbs): 27.68



6 TON GENERAL PULLER SET

Product #: **J4289B**

- › Makes 12 of the most commonly used pullers: Internal, External and Slide hammer.

Contents	Description	QTY
J4260R	T-Handle Slide Rod, 24" Long	1
J4260H	2-1/2 lbs Slide Hammer	1
J4250N	Reversible Adjusting Nut	1
J4250B	Two Jaw Yoke	1
J4255B	Three Jaw Yoke	1
J4205B	Slotted Crossarm, 2-Way/3-Way	1
J4056-6	Reversible Jaw, 6" Reach	3
J4056-4	Reversible Jaw, 4" Reach	3
J4056-2	Inside Jaw, 2" Reach	2
J4056PN	Jaw Pivot Pin	3
J4256S	Inside Hook Jaw	1
J4205S	Forcing Screw	1
J4022T	Standard Detachable Tip	1
J4028	Cap Screw, 3/8"-16 UNC x 3"	3
J4005C	Cap Screw, 3/8"-24 UNF x 3"	3
J4205E	Cap Screw, 3/8"-16 UNC x 4"	3

Weight (lbs): 17.34





6 TON WIDE PULLER SET

Product #: J4291B

- ▶ Designed for pulling machine parts up to 8" in diameter with reach depths to over 7".
- ▶ Makes over 12 different adjustable and straight jaw pullers.

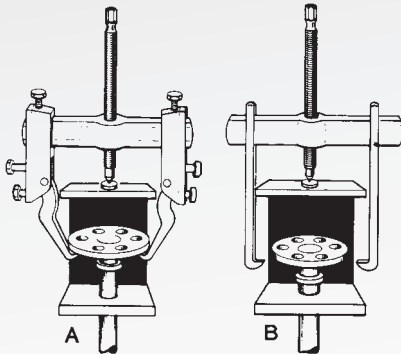
Contents	Description	Qty.
J4205S	Forcing Screw	1
J4022T	Standard Detachable Tip	1
J4208CA	2-Way/3-Way Crossarm, 7" Long	1
J4027	Narrow Jaw	3
J4026A	Dual-Reach Jaws	3
J4021S	Spring Clip	3
J4211BA	Adjustable Jaw Block Assembly	3
J4206SC	Slotted Crossarm, 2-Way	1
J4028	Cap Screw, 3/8"-16 UNC x 3"	2
J4332	Bearing Separator, 4-3/8" Capacity	1
J4055H	5 lbs Slide Hammer	1
J4260R	T-Handles Rod, 24" Long	1

Weight (lbs): 29.00

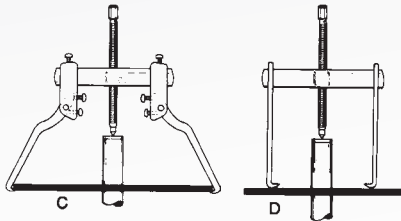


GENERAL PULLER SETS

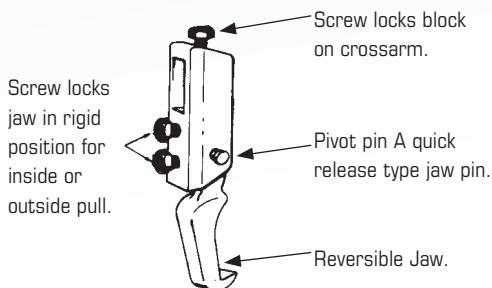
OPERATIONAL FEATURES - 6 TON PROTO-EASE™ WIDE PULLERS



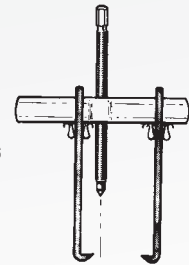
Adjustable jaws (A) reach around obstructions to grip parts inaccessible to straight jaws (B).



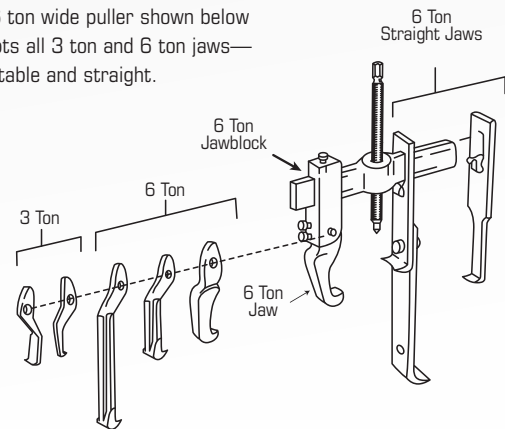
Adjustable jaws (C) have greater reach capabilities than straight jaws (D).



Jaws slide into place along crossarm and may be positioned at unequal distances from the forcing screw for unusual pulling applications.



The 6 ton wide puller shown below accepts all 3 ton and 6 ton jaws—adjustable and straight.



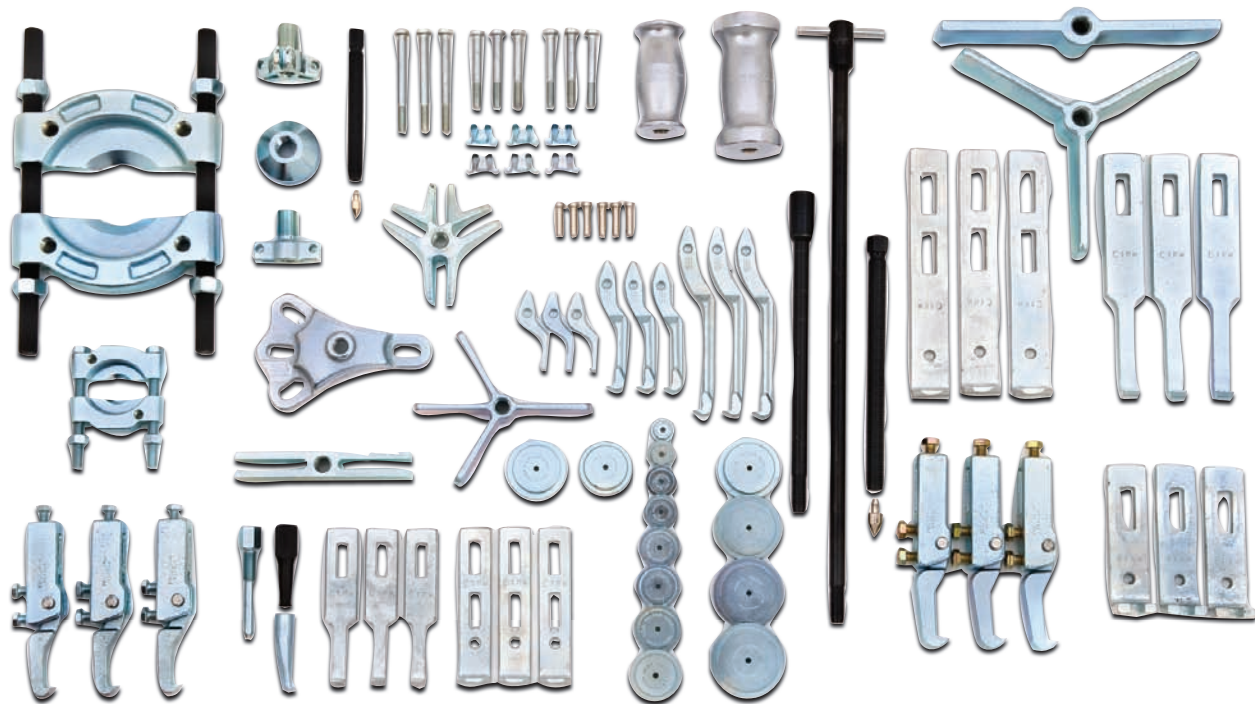
NOTE: Tonnage ratings do not apply when: 1) using jaw blocks with lock screws facing inboard (see drawing C above), 2) jaw angle exceeds 7° or 3) lighter adjustable jaws are used in heavier jaw blocks.



PROTO-EASE™ MASTER PULLER SET

Product #: J4235A

- › Covers most maintenance operations using standard pullers.
- › Contains components necessary to assemble all full-interchange system pullers except Proto® Press-N-Pull™ Pullers.



PROTO-EASE™ PULLER SETS

Contents	Description	Qty.
J4205B	Slotted Crossarm, 2-Way/3-Way	1
J4022T	Standard Detachable Tip	1
J4205S	Forcing Screw	1
J4005C	Cap Screw, 3/8"-24 UNF x 3"	3
J4205E	Cap Screw, 3/8"-16 UNC x 4"	3
J4028	Cap Screw, 3/8"-16 UNC x 3"	3
J4206SC	Slotted Crossarm, 2-Way	1
J4250B	2 Jaw Yoke	1
J4255B	3 Jaw Yoke	1
J4056-2	Inside Jaw, 2" Reach	3
J4056-4	Reversible Jaw, 4" Reach	3
J4056-6	Reversible Jaw, 6" Reach	3
J4250N	Reversible Adjusting Nut	1
J4056PN	Jaw Pivot Pin	3
J4260H	2-1/2 lbs Slide Hammer	1
J4260R	T-Handle Slide Rod, 24" Long	1
J4055H	5 lbs Slide Hammer	1
J4275R	Short Slide Rod	1
J4277B	Rear Axle Flange Foot	1
J4256S	Inside Hook Jaw	1
J4280	Set Puller Blind Bearing	1

Contents	Description	Qty.
J4211BA	Adjustable Jaw Block Assembly	3
J4026A	Dual-Reach Jaw	3
J4027	Narrow Jaw	3
J4208CA	2-Way/3-Way Crossarm	1
J4231A	Adjustable Jaw Block Assembly	3
J4012T	Standard Tip	1
J4225S	Forcing Screw	1
J4226CA	2-Way Crossarm, 11" Long	1
J4227CA	3-Way Crossarm, 11" Long	1
J4016A	Dual-Reach Jaw	3
J4017	Long Narrow Jaw	3
J4018	Cap Screw Jaw	3
J4021S	Spring Clip	3
J4011S	Spring Clip	3
J4331	Bearing Separator, 2-13/32" Capacity	1
J4333A	Bearing Separator, 6" Capacity	1
J4040	Step Plate Adapter Set	1
J4040-12	Step Plate, 2-1/8" Bore	1
J4040-13	Step Plate, 2-1/4" Bore	1
J4040-14	Step Plate, 2-3/8" Bore	1

Weight (lbs): 73.00