



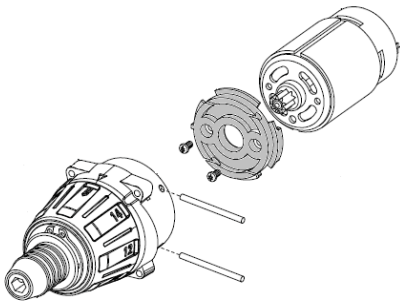
TO: AUTHORIZED portable electric tool SERVICE STATIONS
factory SERVICE CENTERS

DATE: October, 2009

TOOL(S) \ PRODUCT(S) AFFECTED: 2401-20 M12™ SUB COMPACT 1/4" HEX DRIVER

SUBJECT: 23-30-0095 MOTOR ASSEMBLY with NYLON or ALUMINUM Motor Mount Plate
14-29-0095 GEARCASE ASSEMBLY with NON-MACHINED or MACHINED Gearcase

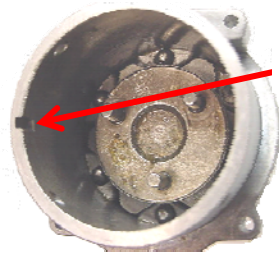
Motor Mount Plate of service replacement 23-30-0095 MOTOR ASSEMBLY can be either NYLON or ALUMINUM.



When replacing either the 23-30-0095 MOTOR ASSEMBLY or 14-29-0095 GEARCASE ASSEMBLY the mating of the motor assembly with the gearcase is dependent on the original motor mount plate of 2401-20 Hex Driver being serviced. If a 2401-20 Hex Driver original motor has a nylon motor mount then replace any service replacement MOTOR ASSEMBLY aluminum motor mount with the original nylon motor mount plate from the original motor before installing it to the gearcase and vice versa - if the original motor has a aluminum motor mount then replace the service replacement MOTOR ASSEMBLY nylon motor mount with the original aluminum before installing to the gearcase.

NON-MACHINED GEARCASE

Nylon Motor Mount Plate must be used



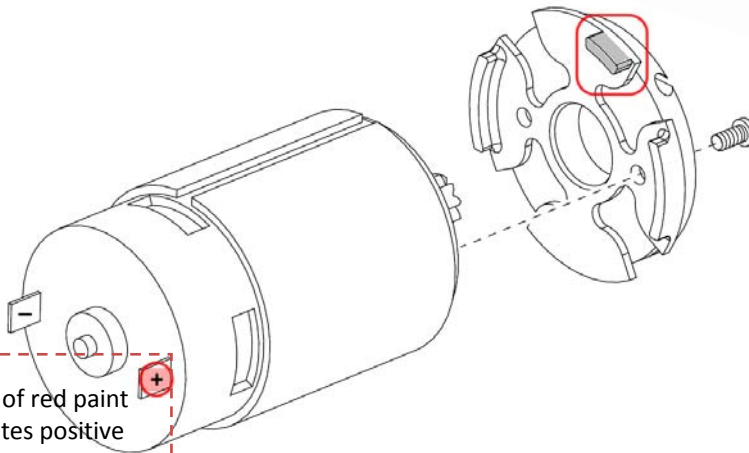
Notch for Nylon Motor Mount Alignment Tab will be utilized

MACHINED GEARCASE

Aluminum Motor Mount Plate must be used



Gearcase has machined undercut



a dab of red paint indicates positive (+) terminal

note: highlighted small tab of Motor Mount Plate (either NYLON or ALUMINUM) must-be-in-line with positive (+) terminal side of motor as illustrated to allow for correct placement of the motor and wiring in the handle of the tool

This bulletin is for informational purposes. PLEASE NOTE ON SERVICE PARTS LIST: 54-42-2400