



**KEYSCO TOOLS
DIVISION OF S&H INDUSTRIES**

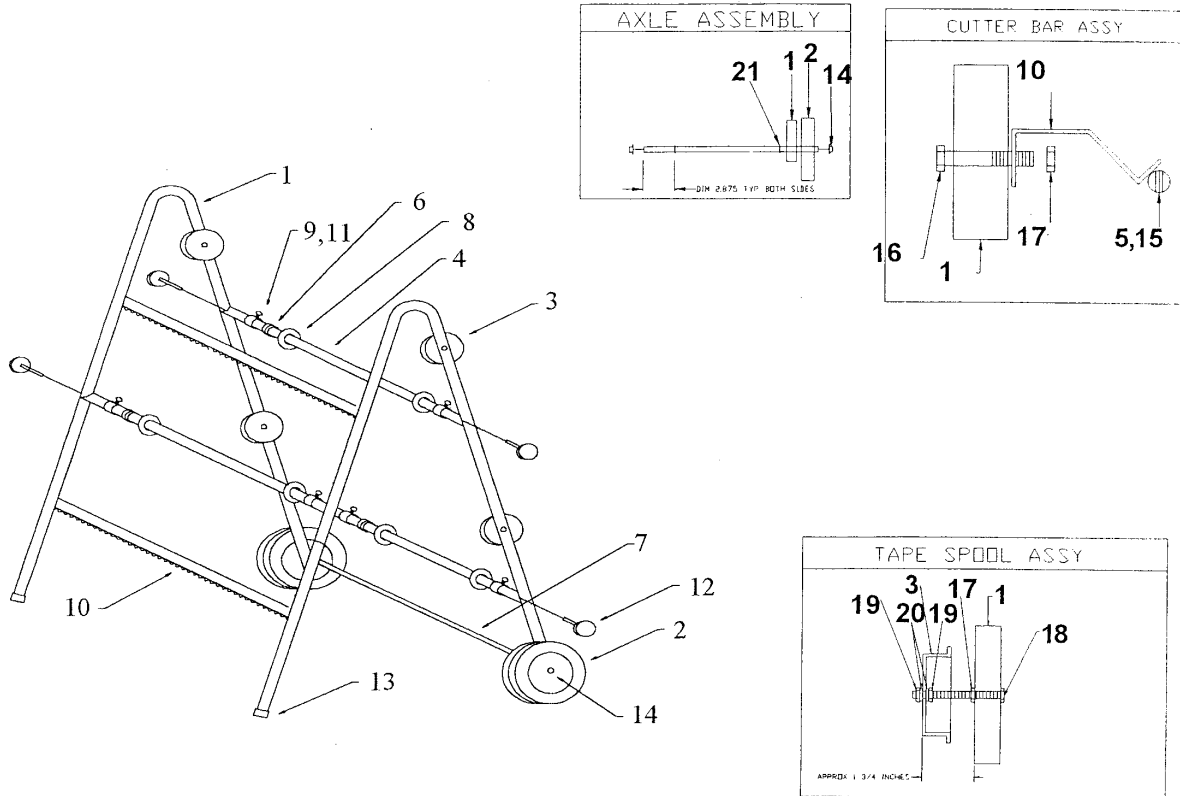
5200 Richmond Road • Cleveland, OH 44146
 Phone 216-831-0550 • Toll Free 800-253-9726 •
 Fax 216-831-9573
 www.shindustries.com
 E-Mail: www.service@shindustries.com

MADE IN THE USA

Rev. 3/24/15

36" MOBILE MASKER – 78014

The Keysco Tools 36" Mobile Masker is designed to dispense rolls of masking paper in widths up to 36". Keysco maskers have tape spools on both sides for taping of paper at either end.



DO NOT TIGHTEN HARDWARE UNTIL ALL PARTS ARE INSTALLED

Key #	Part #	Description	Qty.	Key #	Part #	Description	Qty.
1	11506	Leg	2	12	10678	Knob	6
2	40225	Wheel	2	13	10688	Tubing cap	2
3	10672	Tape spool	4	14	10705	Hubcap	2
4	10692	Paper bar	3	15	10689	S-hook	4
5	10694	Extension spring	2	16	10676	1/4-20 x 1-1/2" Bolt	4
6	10221	Paper bar spring	4	17	10201	1/4-20 Hex nut	8
7	11508	Axle	1	18	10217	1/4-20 x 3" Bolt	4
8	10677	Paper bar washer	8	19	10178	1/4-20 Lock nut	8
9	10680	Paper bar collar	8	20	10218	1/4" Flat washer	24
10	10696	Cutter bar	2	21	10706	Retaining ring	2
11	10203	Thumb screw	8				

TOOL-LESS PAPER LOADING

No tools necessary to load paper rolls! Simply remove paper bar (4) by unscrewing two hand knobs (12). Loosen thumb screw (11) and remove paper bar collar (9) and paper bar washer (8). Install paper roll on paper bar and assemble in reverse order. Hand-tighten thumb screw (11) and knobs (12).