



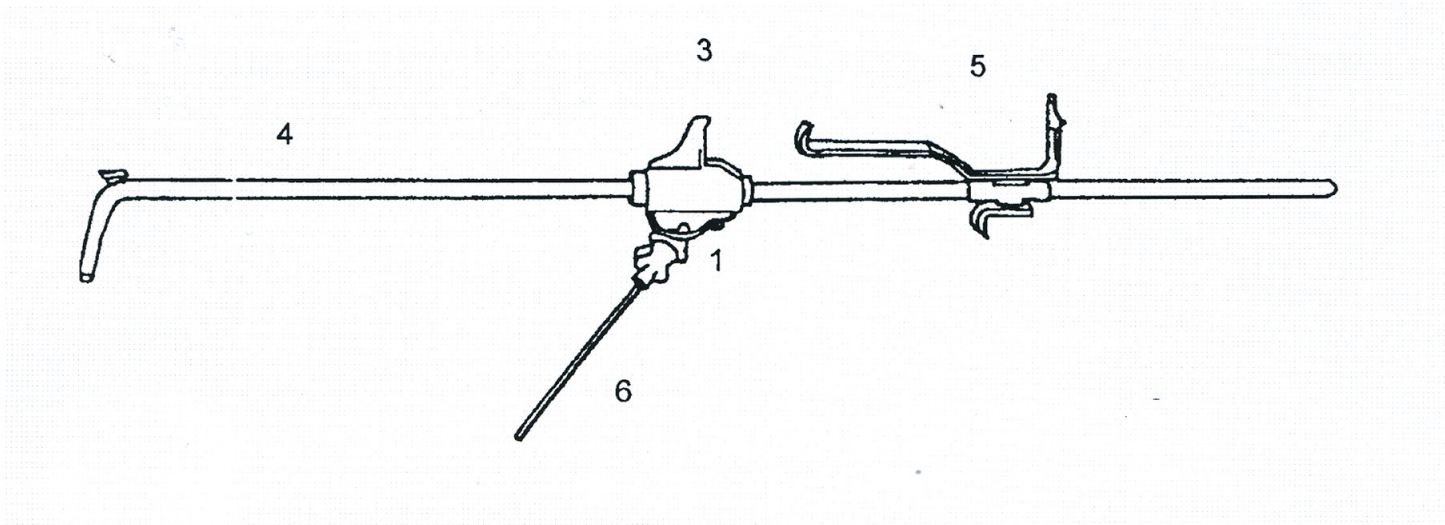
MADE IN THE USA

KEYSCO TOOLS
DIVISION OF S&H INDUSTRIES

5200 Richmond Road • Cleveland, OH 44146
Phone 216-831-0550 • Toll Free 800-253-9726 •
Fax 216-831-9573
www.shindustries.com
E-Mail: www.service@shindustries.com
Rev. 1/28/14

MONKEY ON A STICK – 77043

The Keysco Tools Monkey on a Stick has a permanent hook on the jack body for quick hook-ups on many jobs. The Keysco Monkey on a Stick has a 55" friction rod to allow ample length for most hook-ups, a 3-position handle for tight spots, and a multi-hook attachment for use in either direction.



Key #	Part #	Description	Qty.
1	10232	3-Position handle	1
2	77038	Repair kit for 77044	1
3	77044	Jack (complete)	1
4	77045	Friction rod – 55"	1
5	77046	Multi-hook attachment	1
6	77047	Extension handle	1
7	10226	Clevis pin	1
8	10206	Cotter pin	1

To change directional force (push v. pull) of jack body, put slight pressure on exposed trigger plates and remove jack body from rod. Put jack body on rod in opposite direction. Multi-hook attachment can be used on either side of jack body.

WARNING

Always use eye protection when using this tool.
Do not use any parts on other pulling equipment.
Do not use for lifting or supporting.