



PARTS LIST

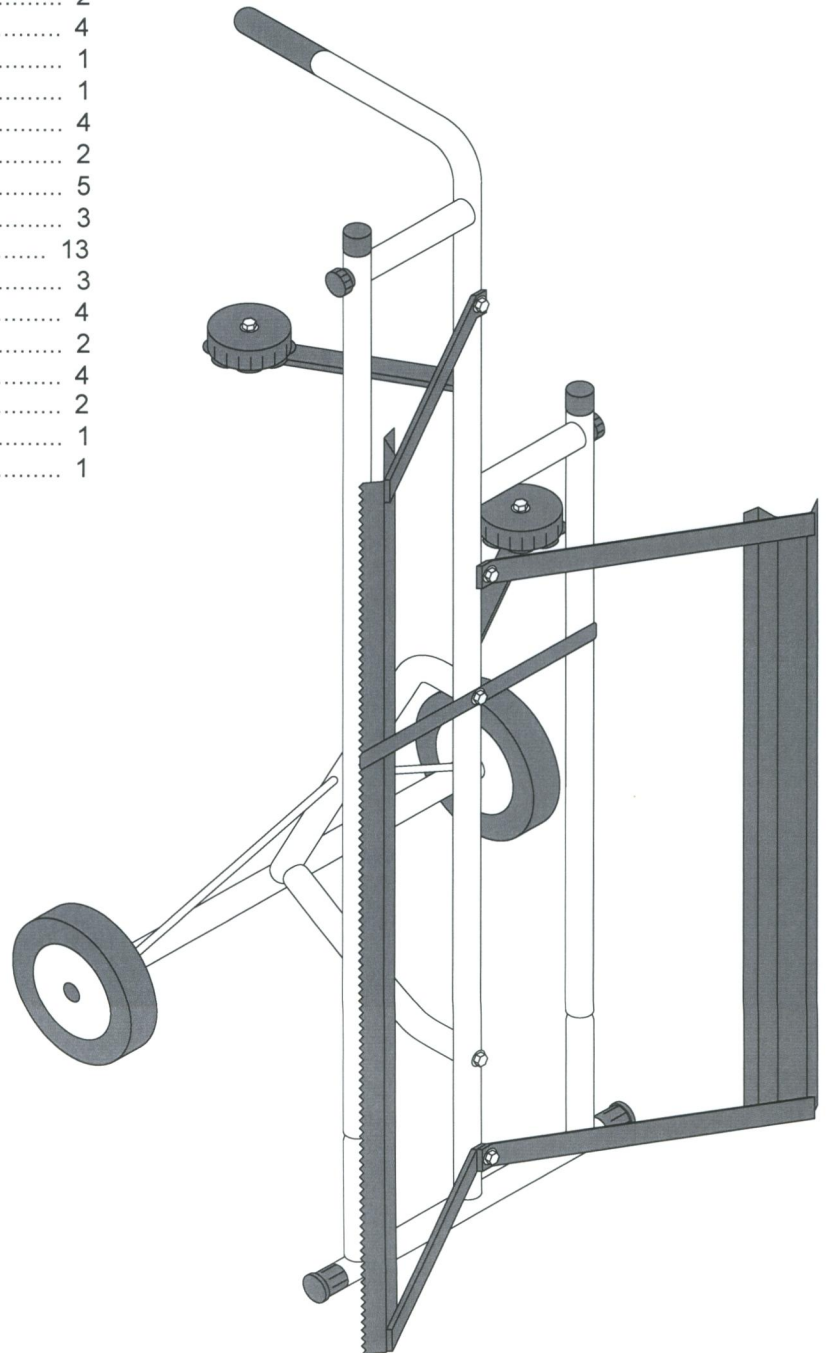
DUAL VERTICAL MASKER

Part #33002

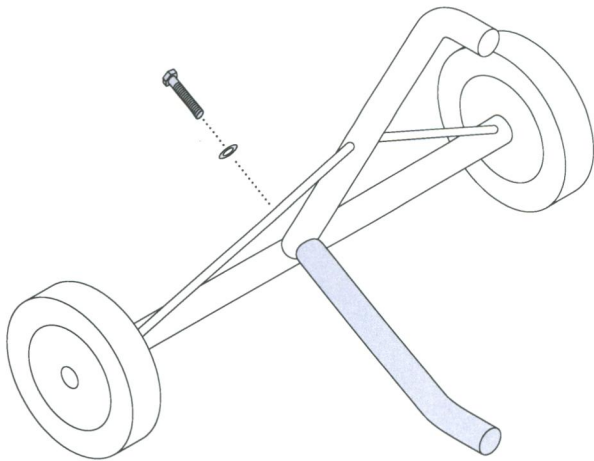
PART#	DESCRIPTION	QUANTITY
11700	Axle Tube Assembly	1
11706	Paper Tube/Handle Assembly	1
11717	Paper Support Tube (36" Paper)	1
11718	Paper Support Tube (24" Paper)	1
11723	Rear-To-Front Support Tube	1
11739	Cutter Bar (24")	1
11731	Cutter Bar (36")	1
10672	Tape Spool	2
12727	Cutter Bar Retainer	4
10694	Extension Spring (25")	1
10669	Extension Spring (15 ³ / ₄ ")	1
10689	S-Hook	4
10678	1/4"-20 X 2" Knob	2
10675	1/4"-20 X 2" Bolt	5
10676	1/4"-20 X 1 1/2" Bolt	3
10218	1/4" Flat Washer	13
10201	1/4"-20 Hex Nut	3
10677	Paper Bar Washer	4
10222	Paper Bar Spring	2
10680	Paper Bar Collar	4
12724	1 X 2 1/2" Washer	2
12726	Paper Depressor Spring	1
12728	Spacer	1

***** IMPORTANT NOTE *****

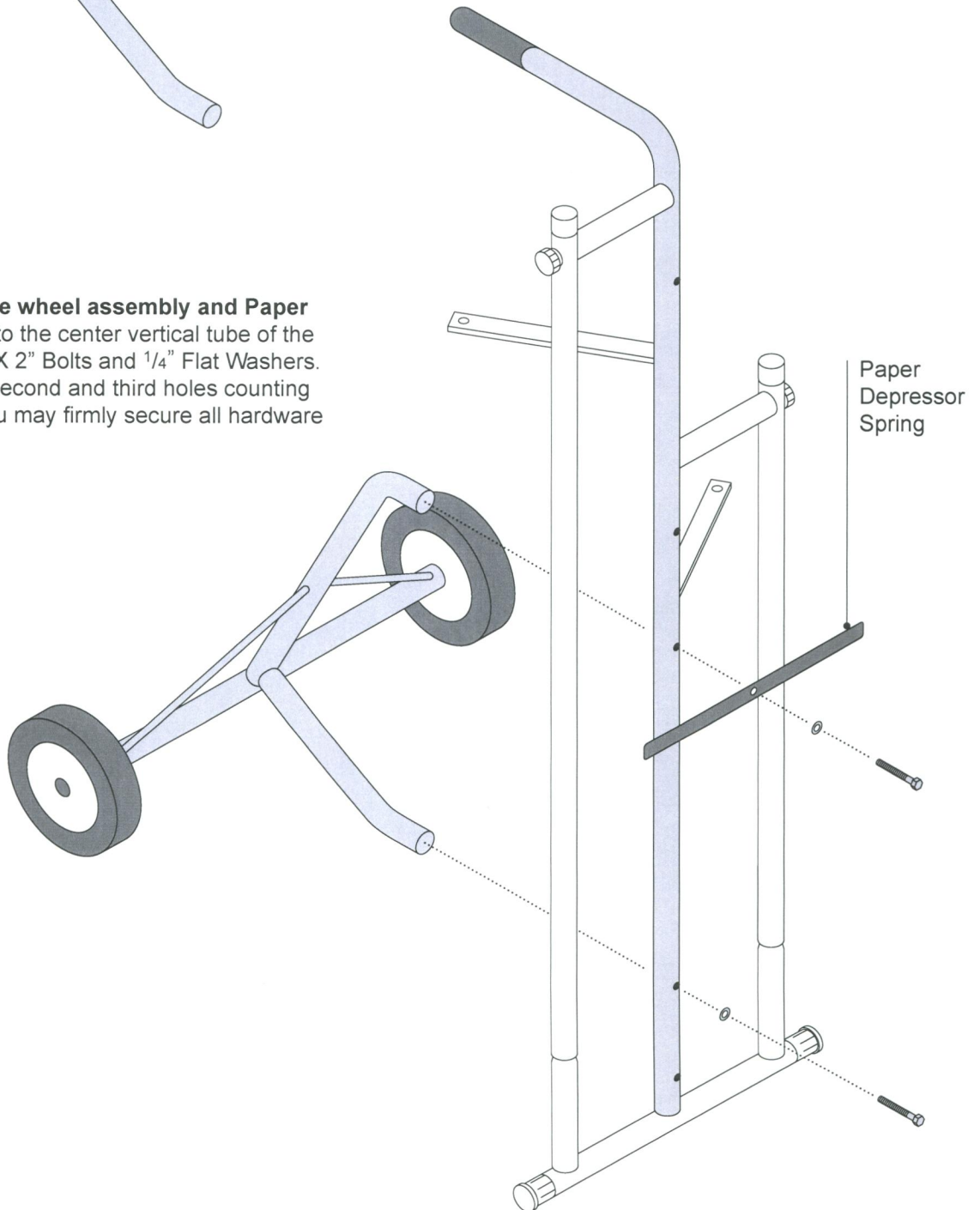
The Dual Vertical Masker assembly steps are illustrated with the Masker in a straight vertical position to visually simplify the assembly process. When fully assembled, your new Masker will lean back properly at an obvious angle.



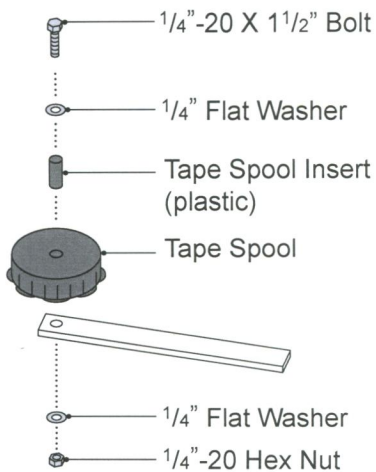
STEP 1. Attach the Rear-To-Front Support Tube to the already-assembled wheel base assembly using a 1/4"-20 X 2" Bolt and 1/4" Flat Washer.
NOTE: Do NOT fully tighten at this point.



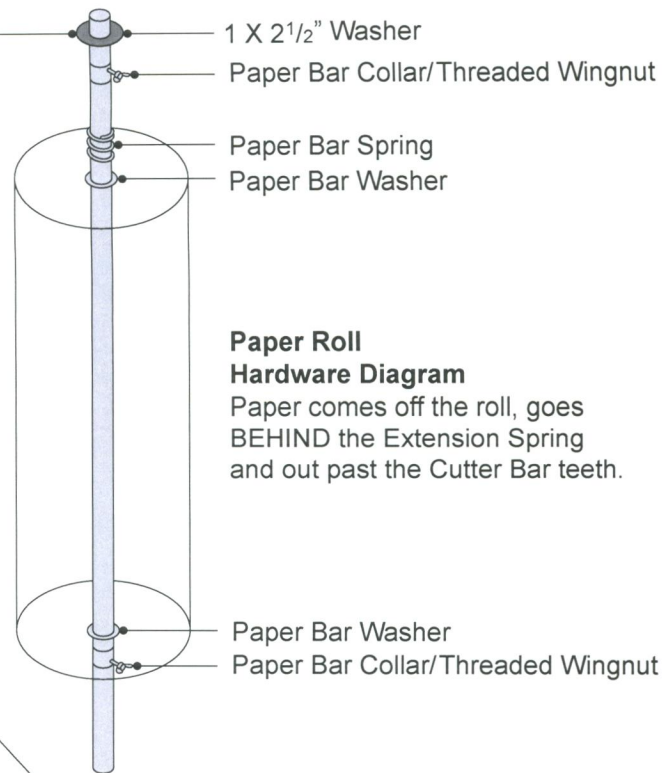
STEP 2. Attach the wheel assembly and Paper Depressor Spring to the center vertical tube of the frame using 1/4"-20 X 2" Bolts and 1/4" Flat Washers. Be sure to use the second and third holes counting from the bottom. You may firmly secure all hardware at this point.



STEP 3. Install Tape Spools
following the diagram below.



Used to apply downward force to achieve desired tension on the paper roll while tightening the Paper Bar Collar Wingnut.



Paper Roll Hardware Diagram

Paper comes off the roll, goes BEHIND the Extension Spring and out past the Cutter Bar teeth.

STEP 4. Install Cutter Bars
using 1/4"-20 X 2" Bolts, 1/4" Flat Washers and 1/4"-20 Hex Nuts. The lower bracket of the shorter Cutter Bar overlaps at the bottom hole on the vertical tube.

Install Spacer BETWEEN the bracket and the vertical tube to compensate the gap caused by the overlapping brackets below.

Overlap

