



PARTS LIST

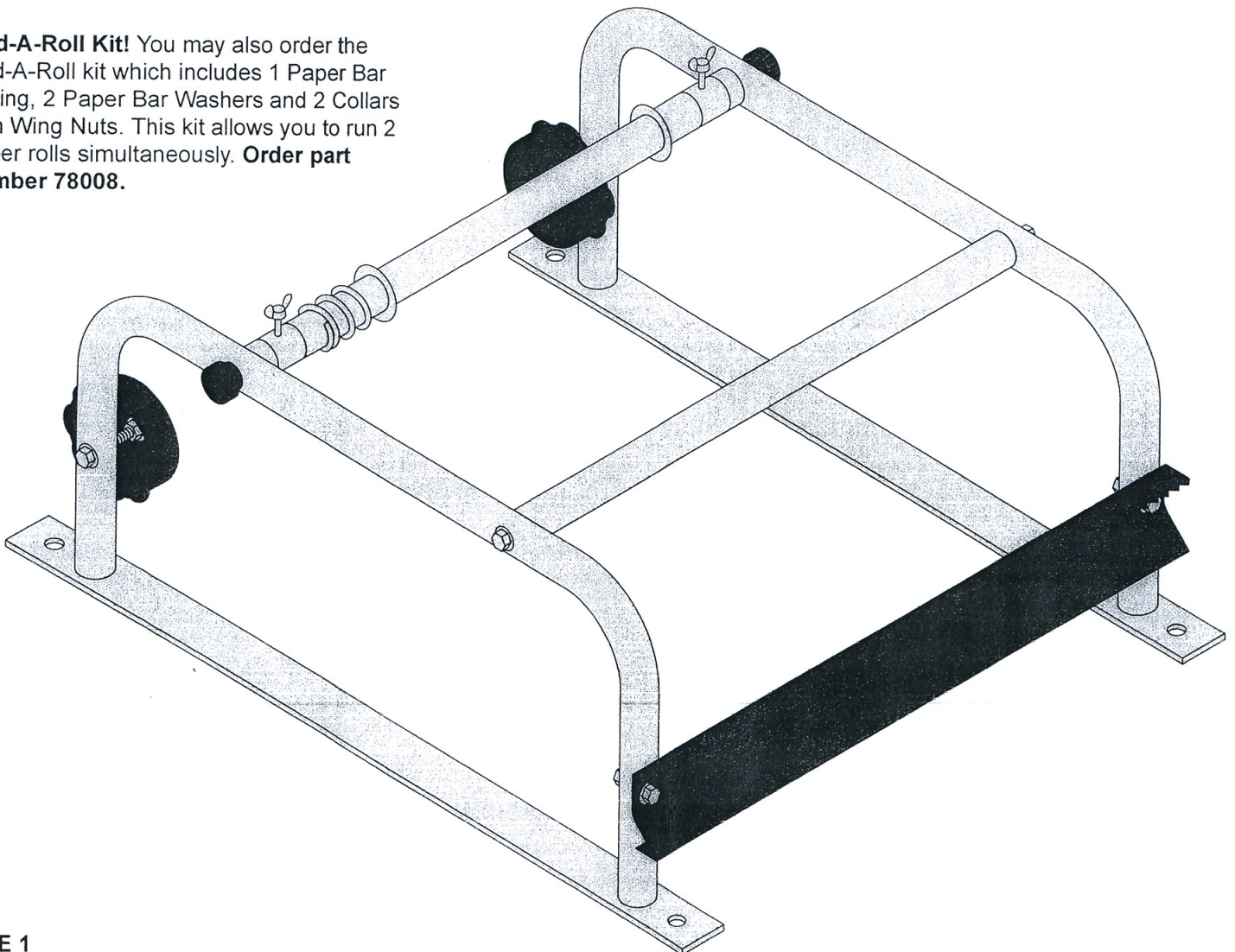
PART#	DESCRIPTION	QUANTITY
10734	Leg Assembly	2
10692	Paper Bar	2
10694	Extension Spring 25"	1
10736	Cutter Bar	1
10221	Paper Bar Spring	1
10680	Paper Bar Collar with Wing Nut	2
10677	Paper Bar Washer	2
10672	Tape Spool	2
10689	S - Hook	2
10675	1/4"-20 X 2" Bolt	2
10676	1/4"-20 X 1 1/2" Bolt	2
10201	1/4"-20 Hex Nut	4
10217	1/4"-20 X 3" Bolt	2
10178	1/4"-20 Lock Nut	4
10678	1/4"-20 X 2" Knob	2
10218	1/4" Flat Washer	14

WALL-MOUNT MASKER: 36" Part #78009

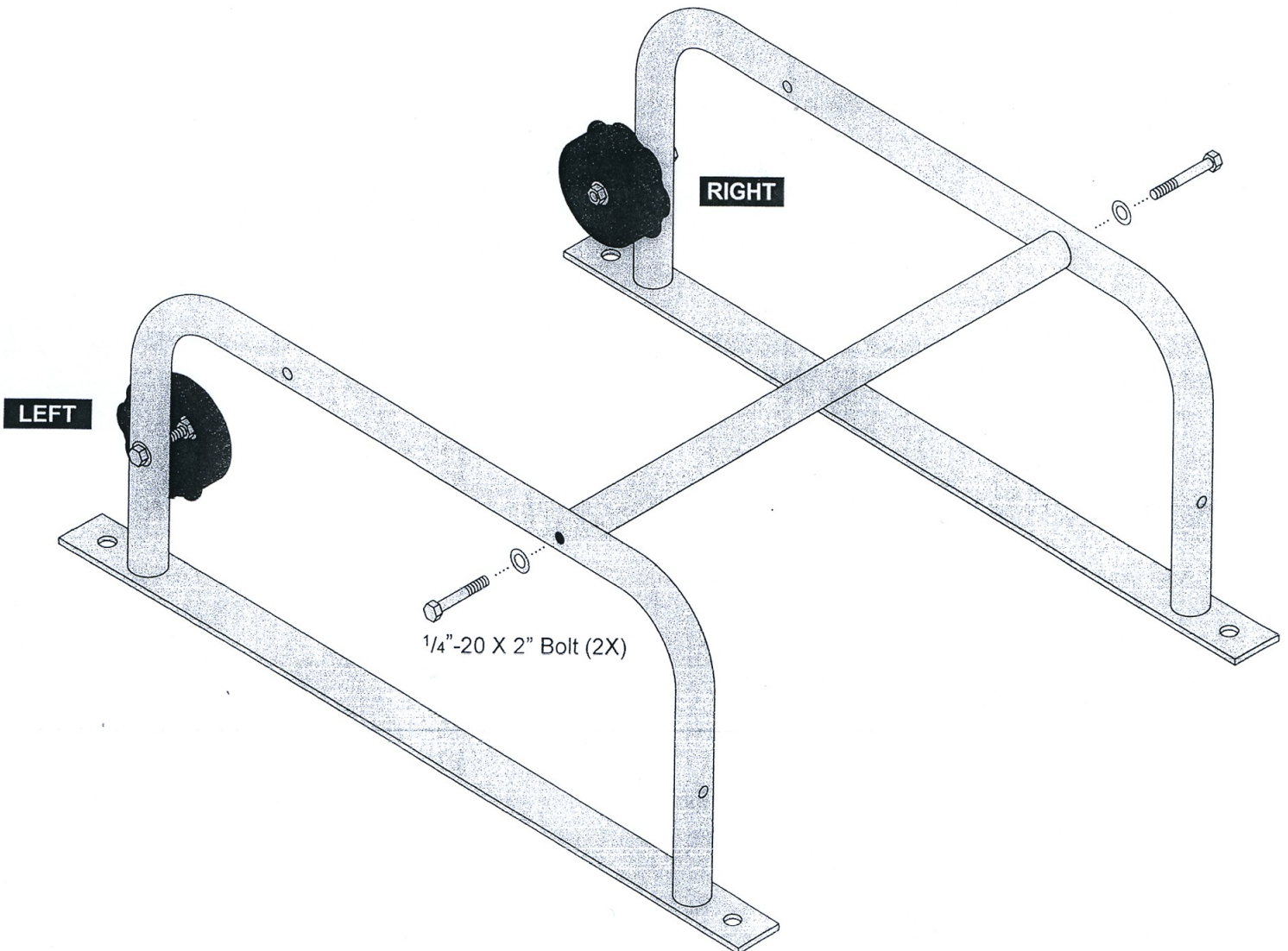
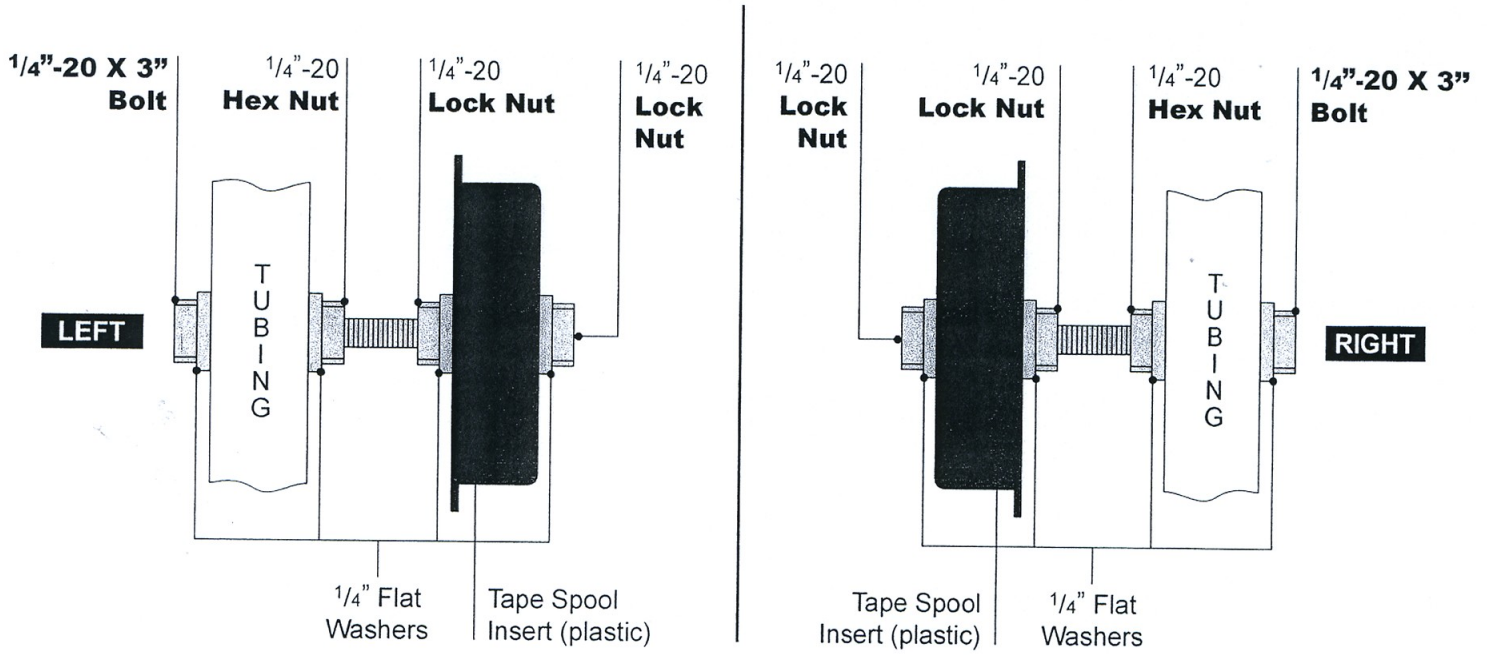
IMPORTANT! Masker is illustrated in its lying down position only to simplify assembly. Complete entire assembly BEFORE mounting to wall. DO NOT add paper roll(s) until Masker is firmly secured to a suitable wall.

Wall mounting hardware is NOT included due to the numerous types of walls and/or materials you may be mounting your Masker to. Select the most appropriate mounting hardware for your application.

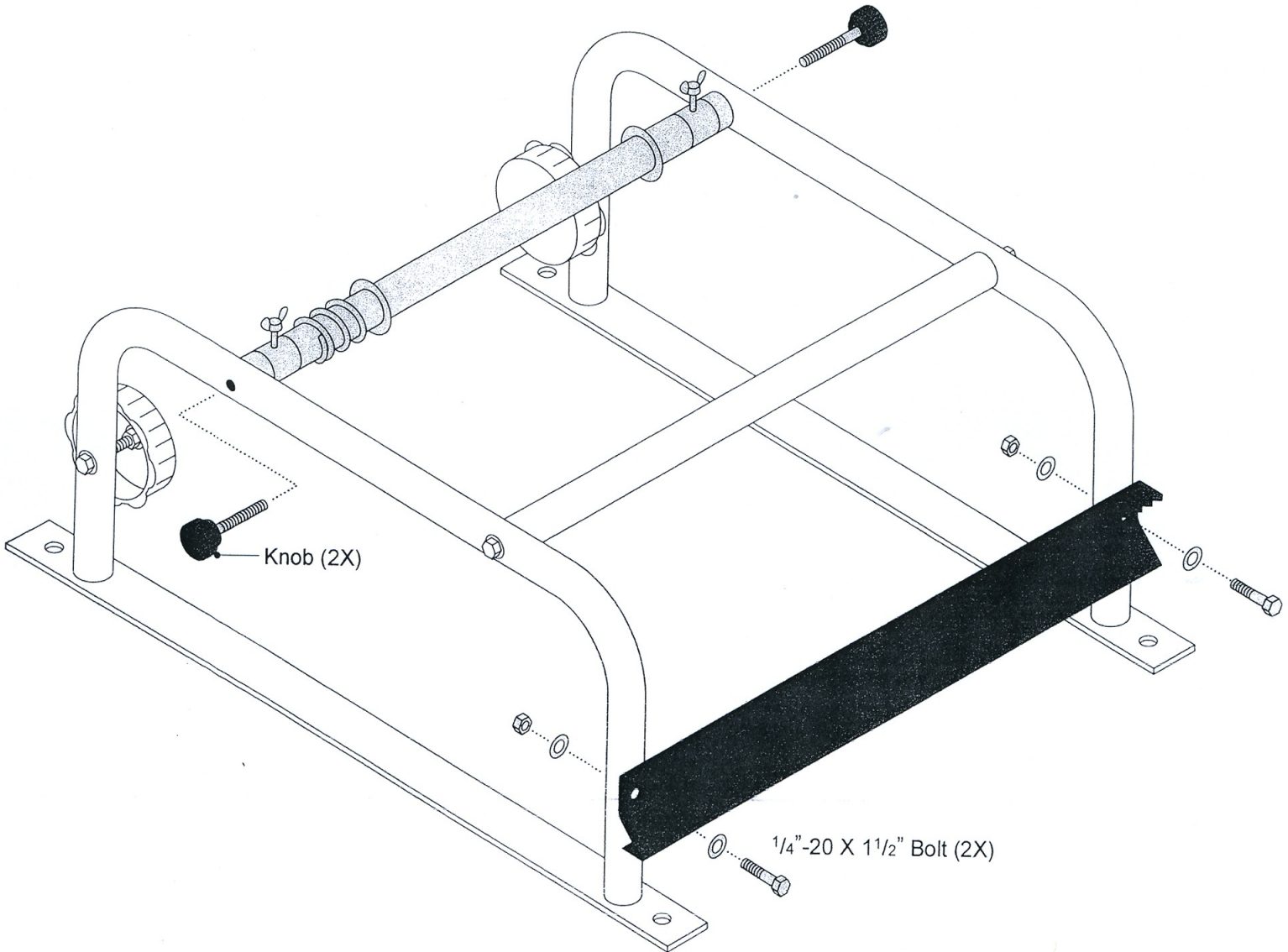
Add-A-Roll Kit! You may also order the Add-A-Roll kit which includes 1 Paper Bar Spring, 2 Paper Bar Washers and 2 Collars with Wing Nuts. This kit allows you to run 2 paper rolls simultaneously. **Order part number 78008.**



STEP 1. Assemble the main frame using 1/4"-20 X 2" bolts and 1/4" washers. Note the locations of all punched holes in all tubing to ensure proper assembly. Assemble and install the Tape Spools. Follow the diagram below closely to ensure proper assembly of the Tape Spools. The order of the hardware is identical for both sides.



STEP 2. Assemble the rear Paper Bar following the diagram below. Attach rear Paper Bar to the Leg Assemblies using Knobs. Next, install Cutter Bar as illustrated below. Ensure that Cutter Bar teeth are on top and facing forward as shown. **You will install the Paper Bar Spring in the next step.**

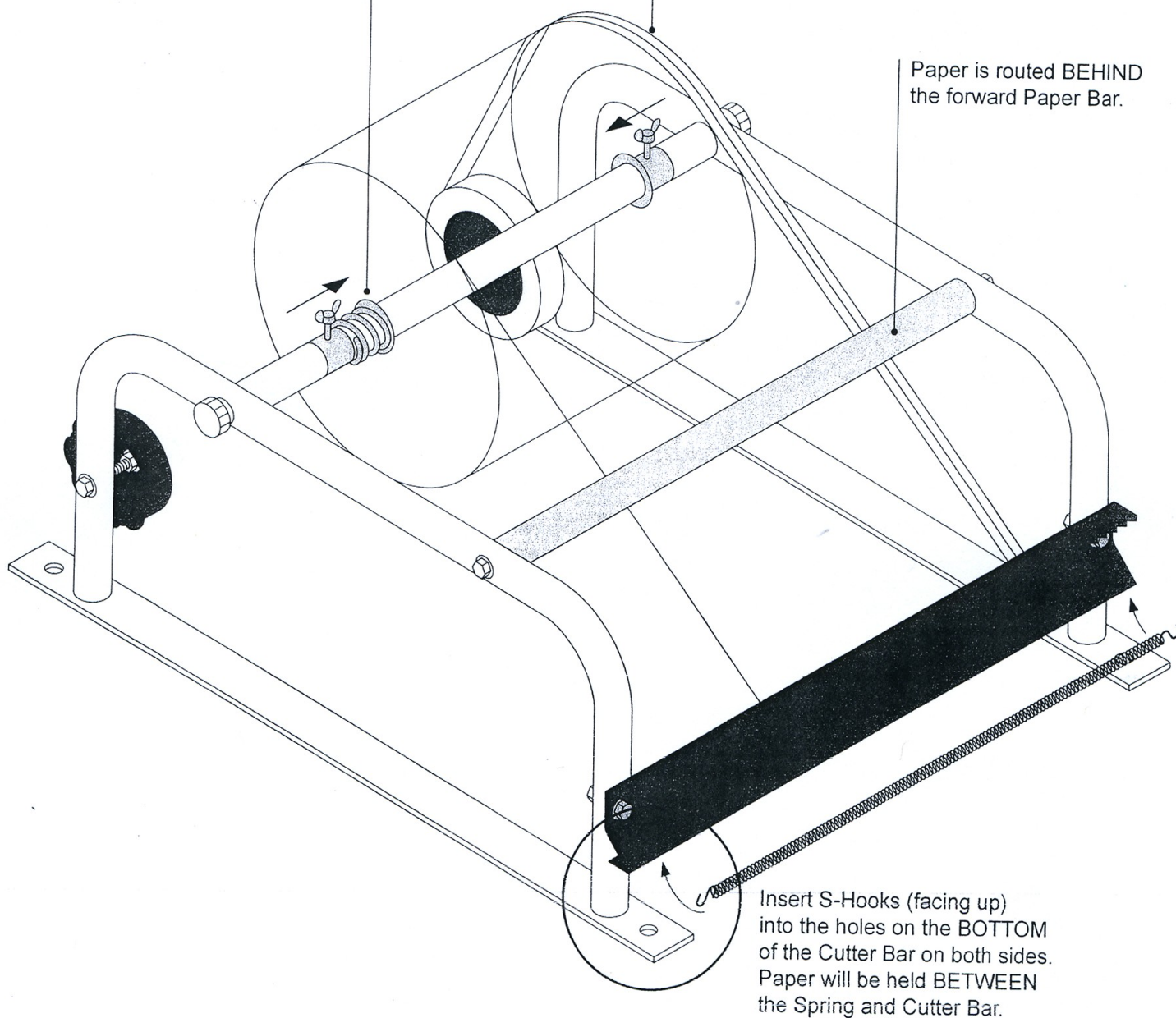


Paper roll and Tape Spool placement. Two Tape Spools are included so that you may conveniently run your tape along either end of your paper roll by simply adjusting the location of the paper roll along the Paper Bar.

Apply pressure to Paper Bar Collar, Spring and Washer against paper roll and tighten wing nut to secure at desired tension.

Align paper roll so that half of the tape is on the paper and the other half hangs over.

Paper is routed BEHIND the forward Paper Bar.



Insert S-Hooks (facing up) into the holes on the BOTTOM of the Cutter Bar on both sides. Paper will be held BETWEEN the Spring and Cutter Bar.

PART NUMBER BREAKDOWN for ORDERABLE PARTS

Add-A-Roll Kit! You may also order the Add-A-Roll kit which includes 1 Paper Bar Spring, 2 Paper Bar Washers and 2 Collars with Wing Nuts. This kit allows you to run 2 paper rolls simultaneously. **Order part number 78008.**

