



**KEYSCO TOOLS
DIVISION OF S&H INDUSTRIES**

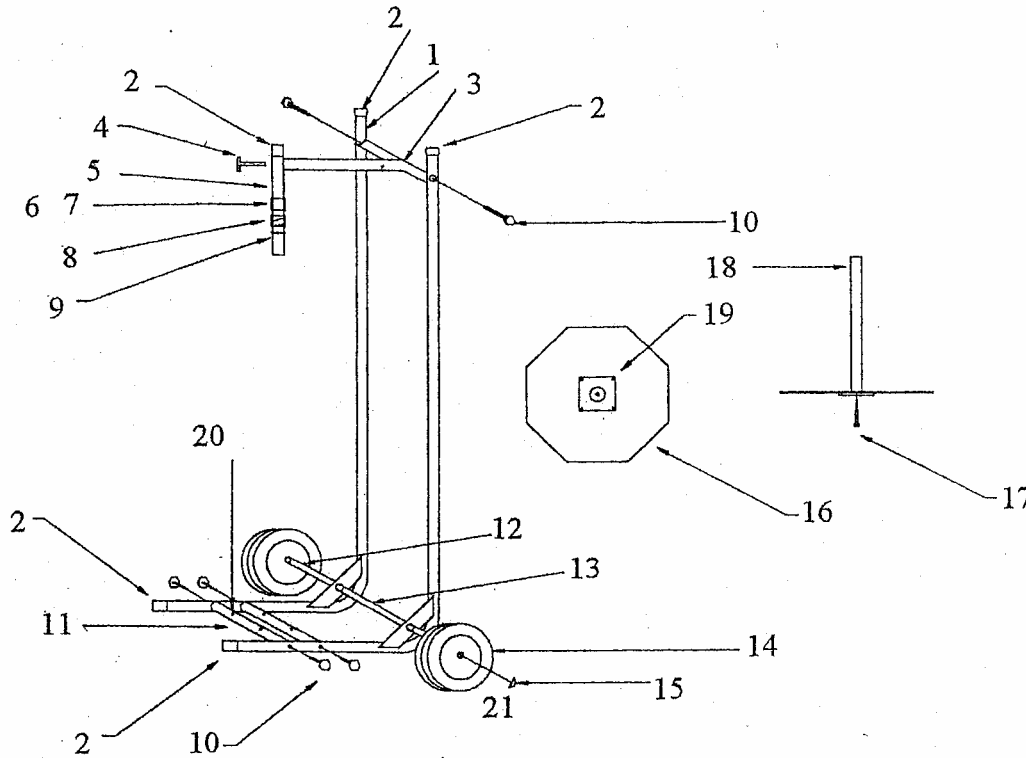
5200 Richmond Road • Cleveland, OH 44146
 Phone 216-831-0550 • Toll Free 800-253-9726 •
 Fax 216-831-9573
 www.shindustries.com
 E-Mail: www.service@shindustries.com

MADE IN THE USA

Rev. 1/19/12

SINGLE-ROLL PLASTIC MASKER – 78013

The Keysco Tools Plastic Masker is designed to dispense one roll of plastic in diameters up to 12" and lengths up to 36". No tools are needed for roll change.



DO NOT TIGHTEN HARDWARE UNTIL ALL PARTS ARE INSTALLED

Key	Part No.	Description	Qty.	Key	Part No.	Description	Qty.
1	11447	Leg assembly	2	12	10729	Axle cover – outer	2
2	10688	Tubing cap	5	13	10730	Axle cover – middle	1
3	11451	Center post support	1	14	4022500	Wheel – 6"	2
4	10678	Knob 1/4-20 x 2"	1	15	10705	Hubcap	2
5	11454	Top center post	1	16	11458	Bearing plate assembly	1
6	10680	Paper shaft collar	1	17	10676	1/4-20 x 1-1/2" Bolt	1
7	10203	Thumb screw	1	18	11453	Bottom center post	1
8	10222	Spring	1	19	11449	Bearing	1
9	10677	Paper shaft washer	1	20	10189	10-12 x 5/8" Screw	4
10	10675	1/4-20 x 2" Bolt	6	21	10726	Axle	1
11	11460	Bearing support tube	2	22			



ASSEMBLY INSTRUCTIONS

1. Install center post support (#3) to leg assemblies (#1) using 1/4-20 x 2" bolts (#10).
2. Install bearing support tubes (#11) to leg assemblies (#1) using 1/4-20 x 2" bolts (#10). Do not tighten at this time. Install with 1/8" holes facing up.
3. Install axle using axle cover – outer (#12) and axle cover – middle (#13) to leg assemblies (#1). Install wheels (#14) to axle and secure with hubcaps (#15).
4. Install bearing plate assembly (#16) to bearing support tubes (#11) using 10-12 x 5/8" screws (#20). Install screw through bearing (#19) to bearing support tubes (#11) through access hole in bearing plate. Plate must be rotated to access all holes.
5. Install bottom center post (#18) to bearing plate assembly (#16) using 1/4-20 x 1-1/2" bolt.
6. Tighten all hardware and install tubing caps (#2).
7. Install one end of plastic roll (not included) over bottom center post (#18). Slide paper shaft collar (#6), spring (#8) and paper shaft washer (#9) onto top center post (#5). Install assembly into top of plastic roll and secure to center post support (#3) using 1/4-20 x knob (#4). Adjust tension with paper shaft collar (#6) and tighten with thumb screw (#7).

Unit can be used either vertically or horizontally.