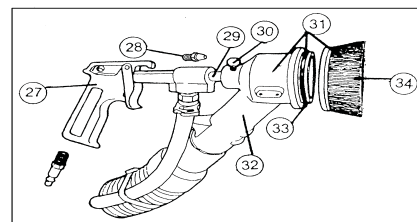
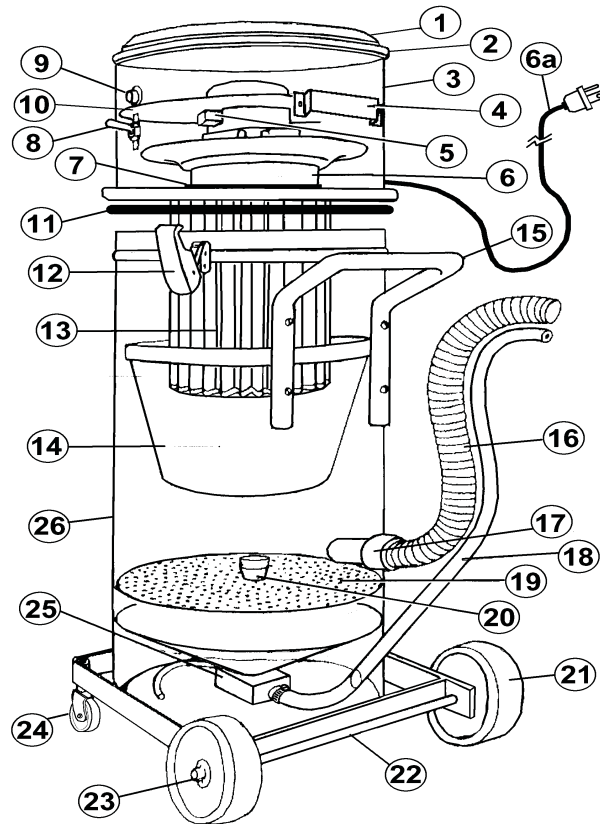


REPLACEMENT PARTS

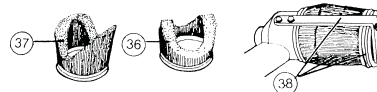
ITEM	PART NO.	DESCRIPTION
1	Z9852	Moulding, Head Cover
2	20-101-Y	Head Cover
3	27-100S	Vac Head Assy, Complete, 120V
4	110-313	Pull Handle
5	27-129*	Motor Brush
6	KIT-26123	Vac Motor Kit, 1350W, 120V
6.1	KIT-26127	Vac Motor Kit, 1350W, 240V
6.2	KIT-26125	Vac Motor Kit, 1350W, 100V
6a	27-151	Valve Stem Assy for U5047
7	27-103	Gasket Motor Mount
8	27-131	Power Switch 120V
8.1	27-132	Power Switch 240V
9	27-141	Neon Lamp 100-120V
9.1	27-142	Neon Lamp 220V
10	27-112	Thermal Separator Plate
11	27-193	Vacuum Head Seal Gasket
12	27-218	Rim Clamp
13	27-180	Filter, Regular
13.1	27-172	HEPA Filter
14	25-215	Debris Container
15	27-217	Tubular Handle
16	27-710	Vacuum Hose Assy (8)
16.1	27-712	Vacuum Hose Assy (10 FT)
16+18	27-700	Complete Hose Assembly, 8'
17	27-721	Hose End Cuff, 1.5"
18	27-731	Abrasive Feeder Hose (8 FT)
18.1	27-732	Abrasive Feeder Hose (10 FT)
19	27-231	Abrasive Screen
20	Z123	Abrasive Screen Knob
21	11-161	Wheel, 6" Heavy Duty Industrial
22	27-381	Axle Shaft 1/2" x 18" ZP
23	27-384	Wheel Cap, High Impact, 1/2" Axle
24	27-378	Swivel Caster, 2" Wheel
25	20-250	Impeller Assembly
26	20-210-Y	Body Tube Assembly
27	U5047	Blast Gun Assembly
27+31	27-500	Blast Gun+Head (U5047+27-570)
28	51-252	Air Jet, 1/8" ID for Blast Guns
29	52-055	Steel Blast Nozzle
29.1	52-020	Ceramic Blast Nozzle
29.2	52-010	Carbide Blast Nozzle
30	27-513	Lock Bolt, 1/4" x 1/2"

ITEM	PART NO.	DESCRIPTION
31	27-570	Blast Head incl. Brush (27-611)
32	27-571	Blast Head without Brush
33	27-512	O Ring, D330
34	27-611	Flat Brush 1-1/4", Standard
34.1	27-612	Flat Brush 1-3/4", Optional
36	27-621	Inside Corner Brush (90° Male)
37	27-631	Outside Corner Brush (90° Female)
38	27-650	Brush and Holder (for thin edges)
	27-914	Abrasive, #60, 25 LB Pail
	51-270	Valve Stem Assy for U5047

* For units purchased before 2005-12, call before ordering



GUN + HEAD ASSEMBLY 27-500



OPTIONAL BRUSHES