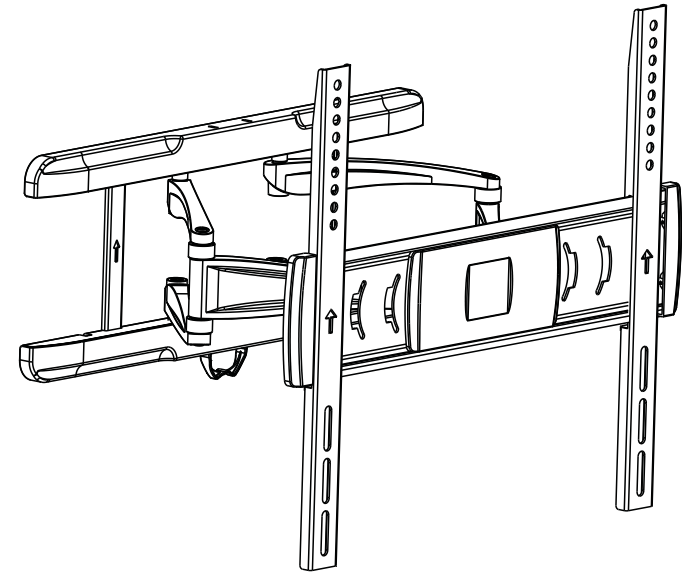
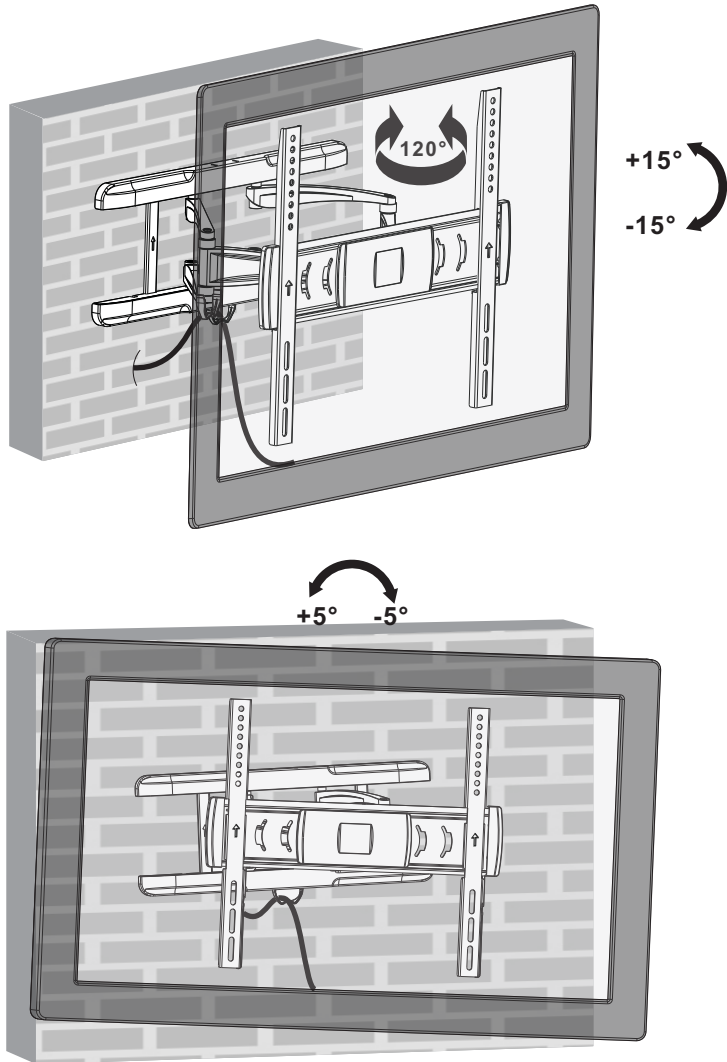


8. Adjustment

Full Motion LED, LCD TV Wall Mount



Adjust to the desired location or tilt.

Maintenance

- Check that the bracket is secure and safe to use at regular intervals(at least every three months).
- Please contact your distributor if you have any questions.



CAUTION: DO NOT EXCEED RATED LISTED WEIGHT. SERIOUS INJURY OR PROPERTY DAMAGE MAY OCCUR!

PID:10484
LDA03-446



200x200/400x200
300x300/400x400



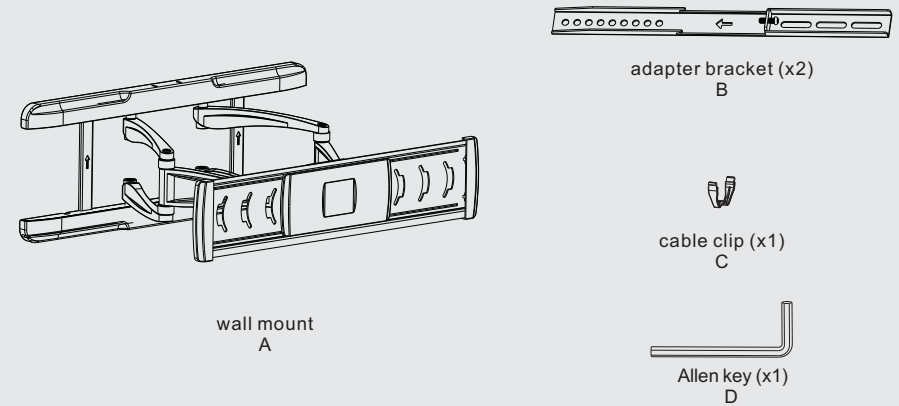
NOTE: Read the entire instruction manual before you start installation and assembly.

WARNING

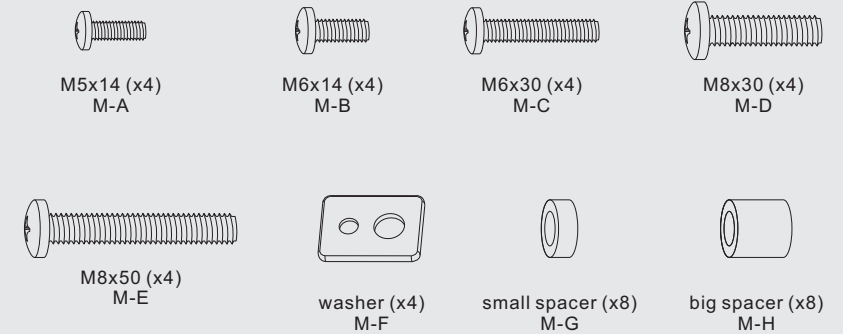
- Do not begin the installation until you have read and understood all the instructions and warnings contained in this installation sheet. If you have any questions regarding any of the instructions or warnings, please contact your local distributor.
- This mounting bracket was designed to be installed and utilised **ONLY** as specified in this manual. Improper installation of this product may cause damage or serious injury.
- This product should only be installed by someone with good mechanical ability who has basic building experience and fully understands this manual.
- Make sure that the supporting surface will safely support the combined weight of the equipment and all attached hardware and components.
- If mounting to wood wall studs, make sure that mounting screws are anchored into the center of the studs. The use of a stud finder is highly recommended.
- Always use an assistant or mechanical lifting equipment to safely lift and position the equipment.
- Tighten screws firmly, but do not over tighten. Over tightening can cause damage to the items, This greatly reduces their holding power.
- This product is intended for indoor use only. Using this product outdoors could lead to product failure and personal injury.

Component Checklist

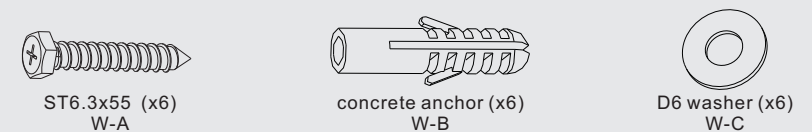
IMPORTANT: Ensure that you have received all parts according to the component checklist prior to installation. If any parts are missing or faulty, telephone your local distributor for a replacement.



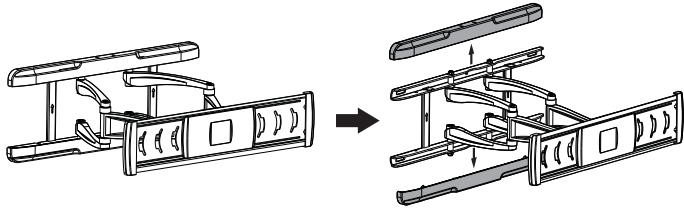
Package M



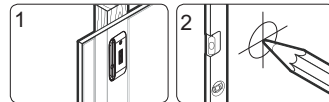
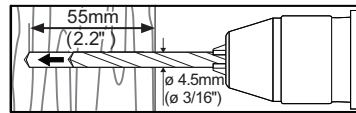
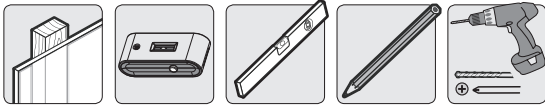
Package W



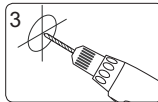
1. Separating the Decorative Covers from the Wall Mount



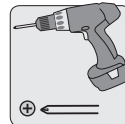
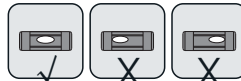
2a. For Wood Stud Wall Mounting



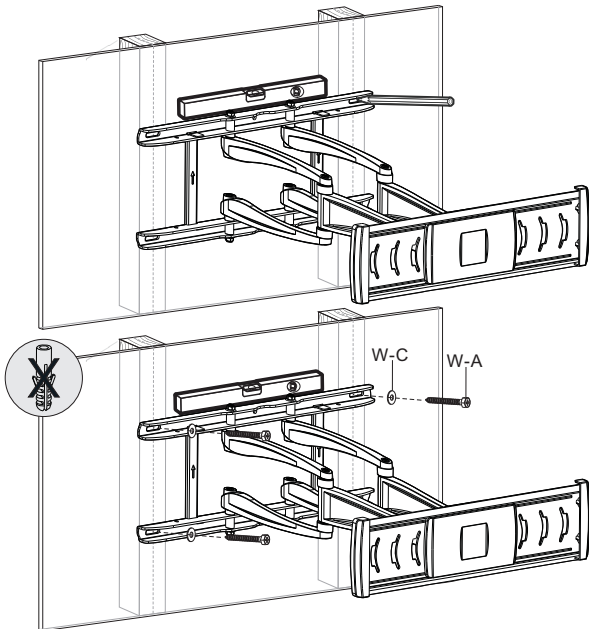
Find and mark the exact location of mounting holes



Drill pilot holes



Screw the wall mount onto the wall



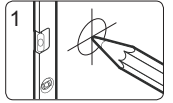
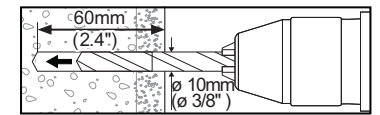
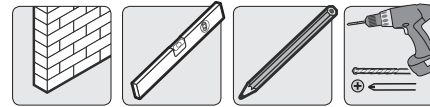
with arrow head pointing up

Model	Stud	406mm (16")	450mm (17.7")	600mm (23.6")	610mm (24")
PID:10484		✓	✓	X	X

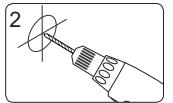
⚠ WARNING

- Make sure that mounting screws are anchored into the center of the studs. The use of a stud finder is highly recommended.
- Installers are responsible to provide hardware for other types of mounting situations.
- Installers must verify that the supporting surface will safely support the combined weight of the equipment and all attached hardware and components.

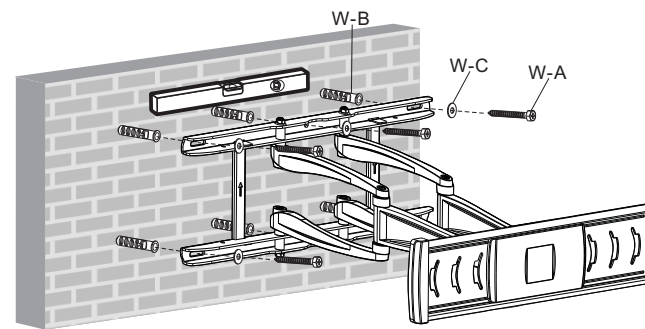
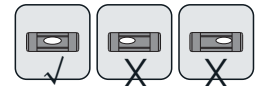
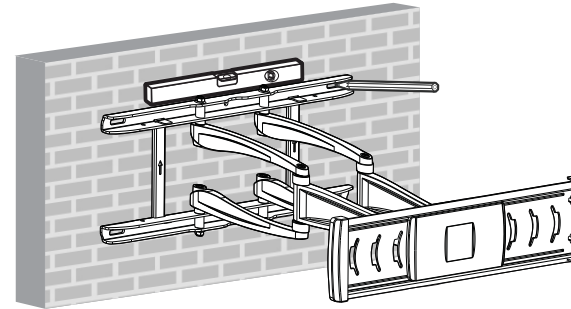
2b. For Solid Brick and Concrete Mounting



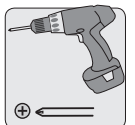
Mark the exact location of mounting holes



Drill pilot holes



with arrow head pointing up

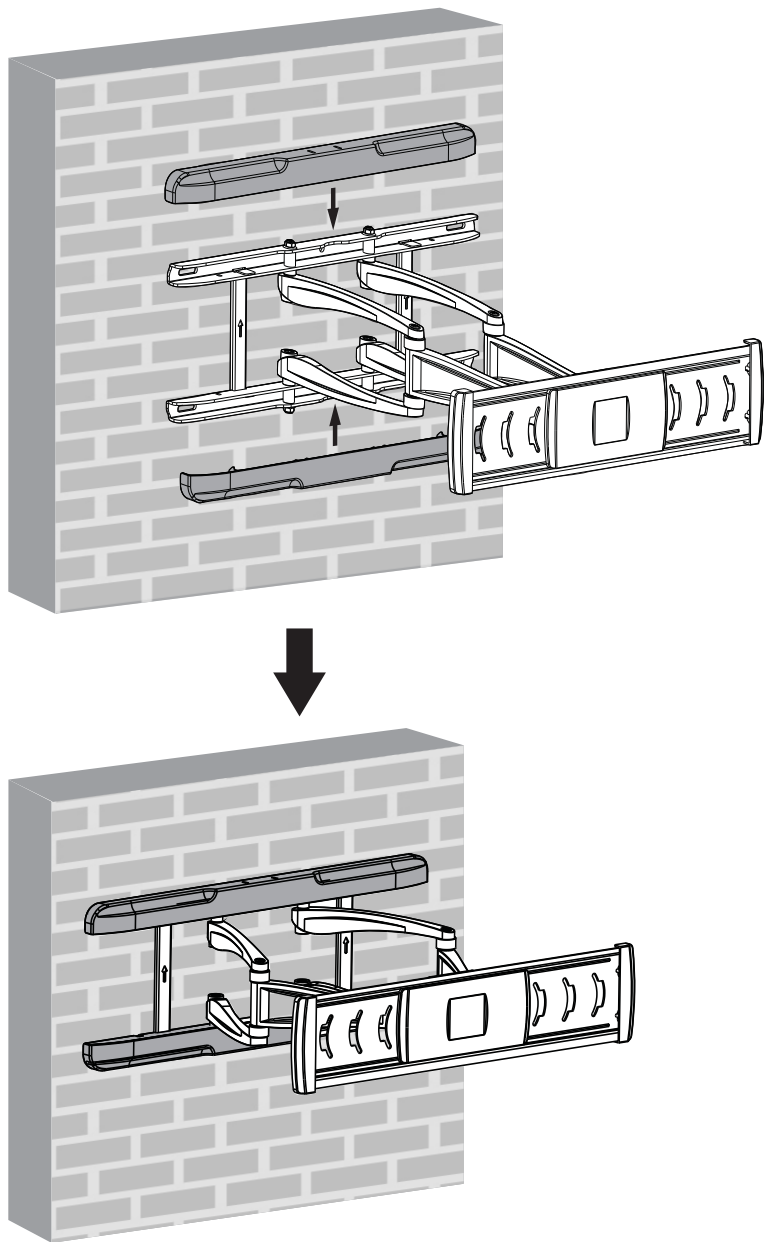


Screw the wall mount onto the wall

⚠ WARNING

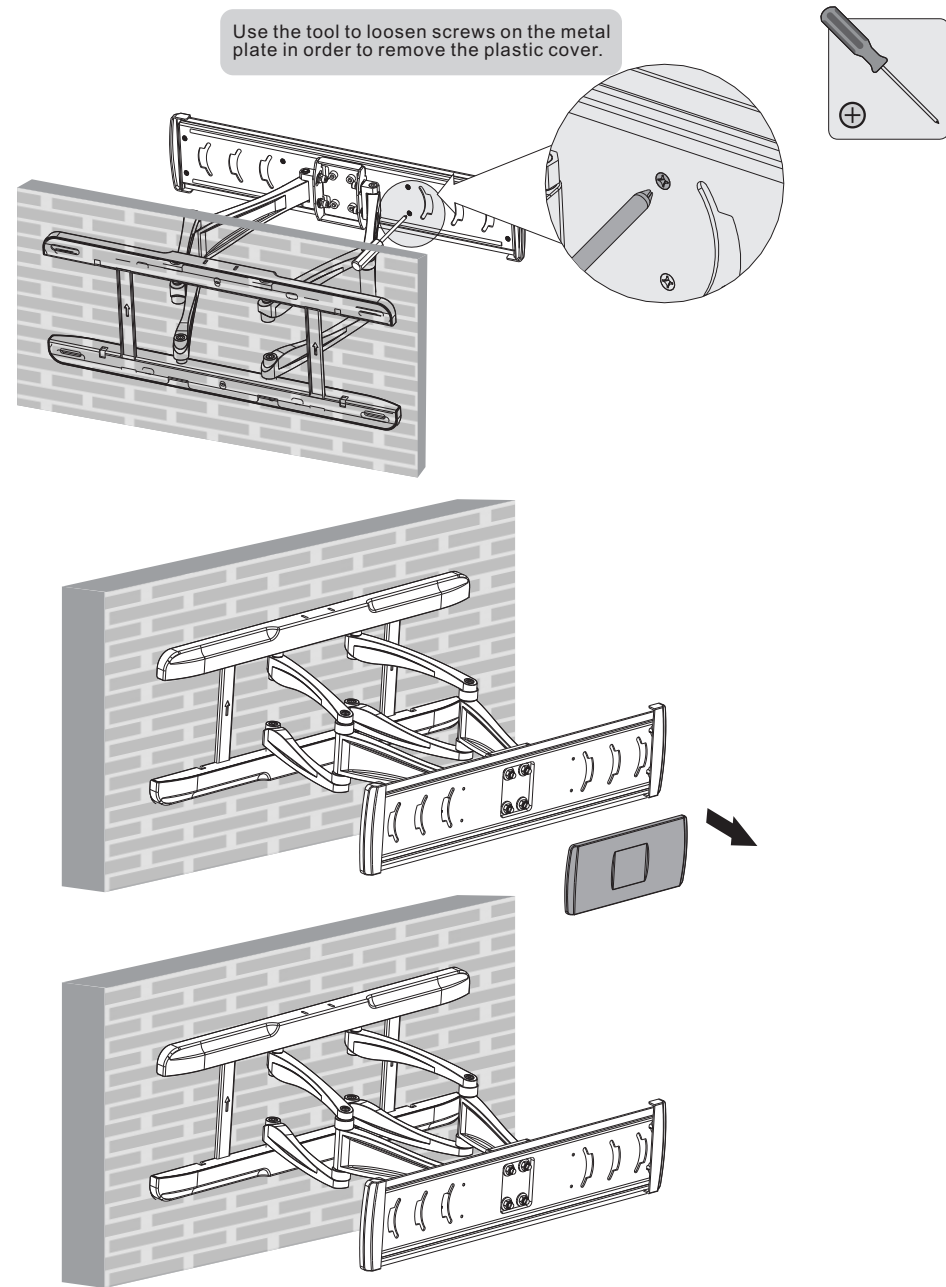
Installers must verify that the supporting surface will safely support the combined weight of the equipment and all attached hardware and components.

3. Installing the Decorative Covers

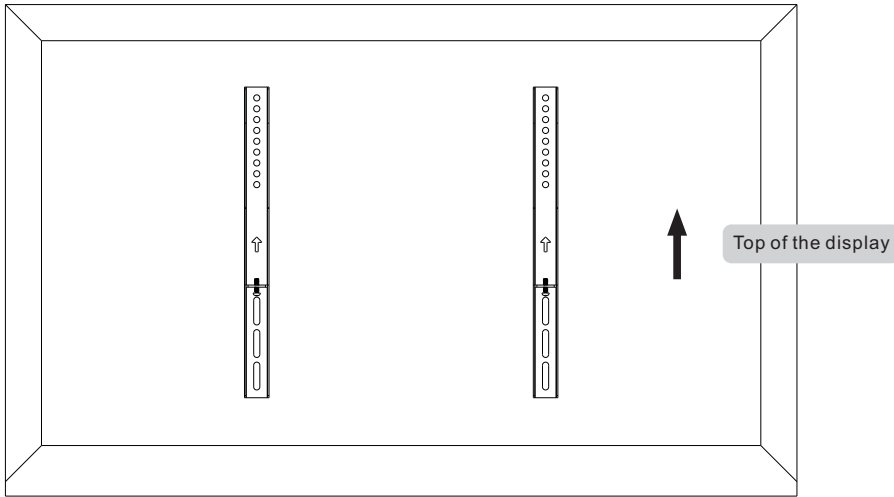


4. Removing the Plastic Cover (For VESA200x200 Mounting)

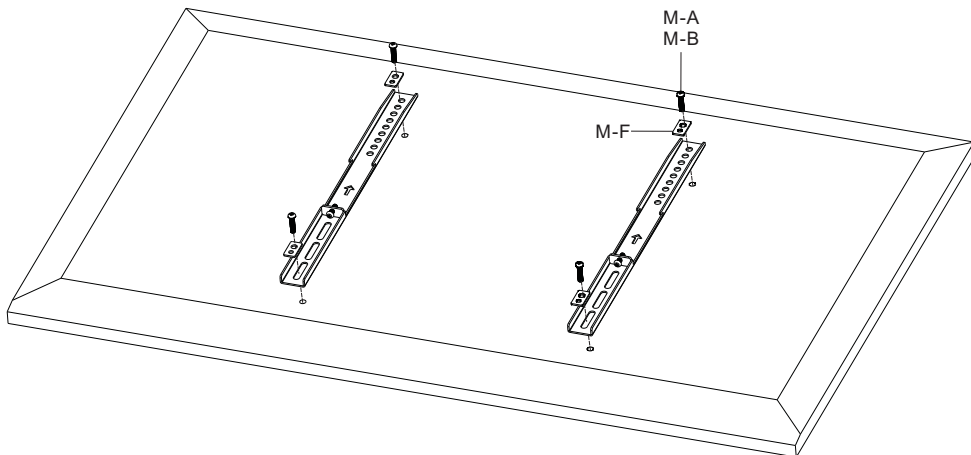
For VESA200x200 mounting, Please remove the plastic cover on the metal plate.



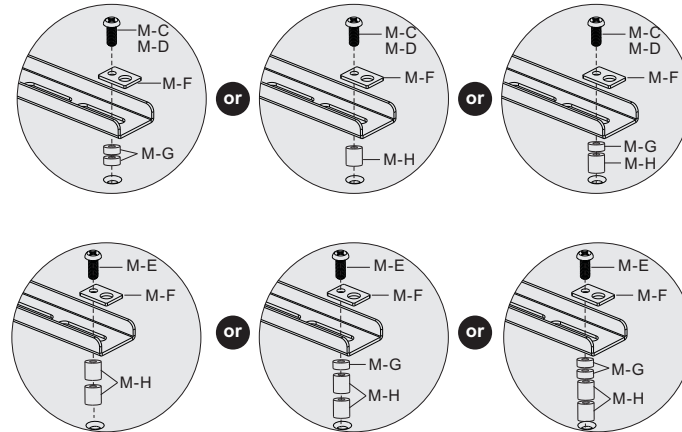
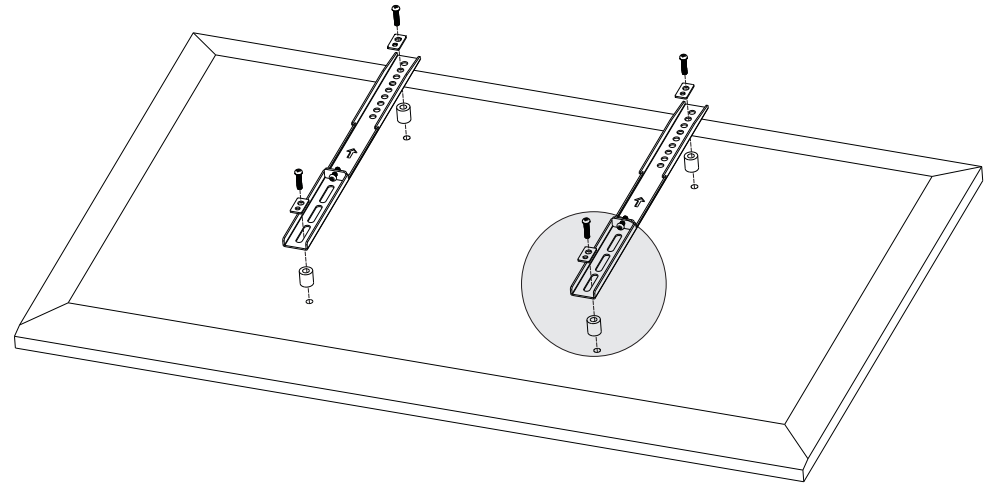
5. Installing the Adapter Brackets



5a For Flat Back Screens



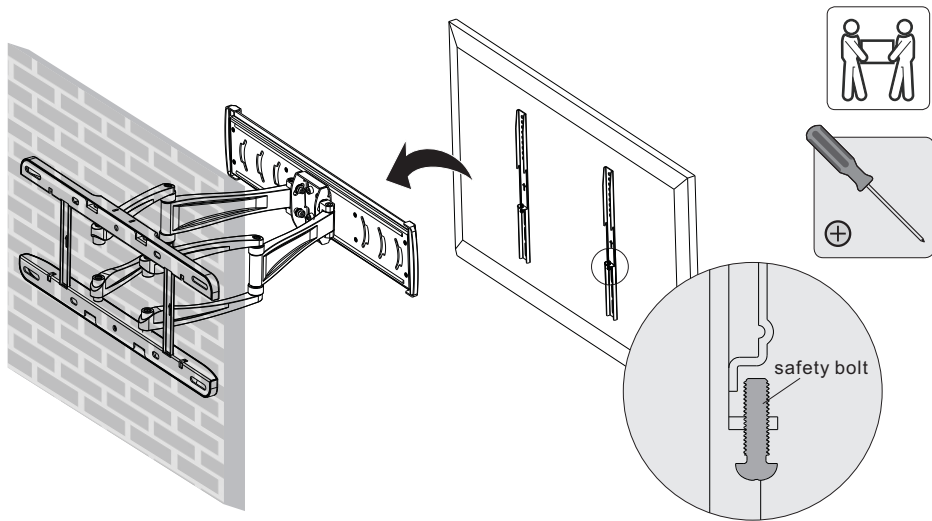
5b For Recessed Back Screens or to Access A/V Inputs



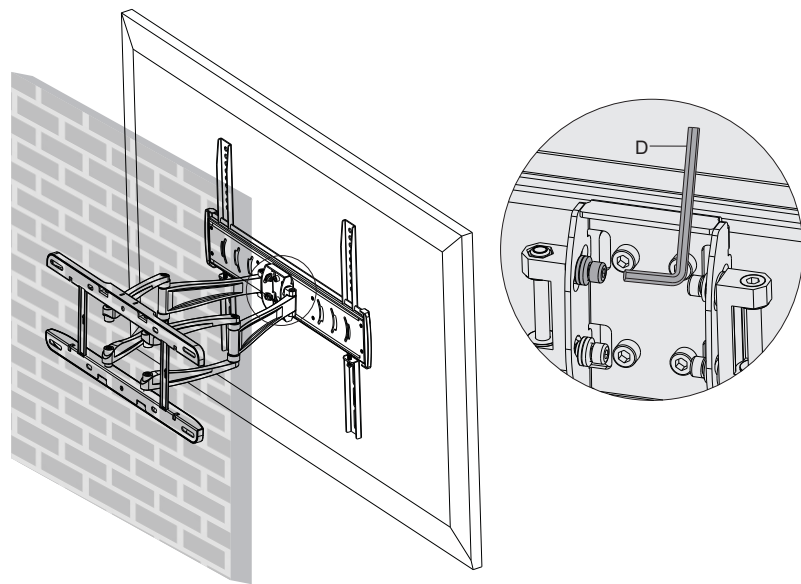
- Note:** Choose the appropriate screws, washers and spacers (if necessary) according to the type of screen.
- Position the adapter brackets as close as possible to the center of the display.
 - Screw the adapter brackets onto the display.

! Tighten all screws but do not over tighten.

6. Hanging the Display onto the Wall Plate

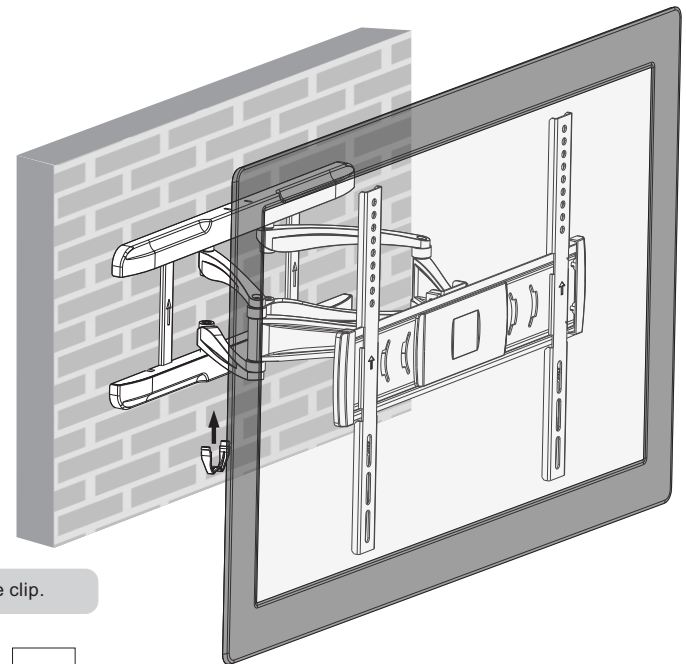


Tighten bottom bolts to secure display brackets to the mount.

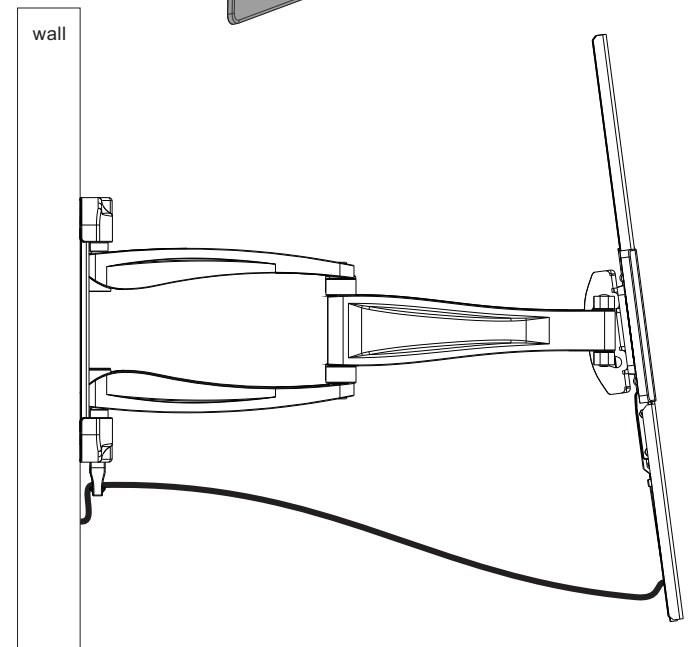


It is necessary to slightly loosen or tighten the adjustment screw using the supplied Allen key.

7. Cable Management



Install the cable clip.



Connect cables to your display and route the cables through the cable clip.
Note: Leave slack in cable for arm movement.