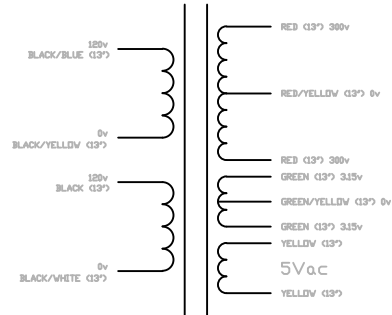


REV CHANGE			
REV	BY	DATE	NOTE

* For 120v Operation
 tie Blk & Blk/Blue, Blk/Wht & Blk/Yel
 apply 120v Blk & Blk/Blue to Blk/Wht & Blk/Yel

* For 240v Operation
 tie Blk/Blue and Blk,Wht
 apply 240v Blk/Yellow to Blk



TOLERANCE: +/- .05	UNITS: INCHES
MATERIAL: N/A	
FINISH: GALVANIZED BELLS	
PART NAME: British Style-45 POWER (MOD)	
PART DESC: MJDJ British Style 45 Power	
MJDJ PN: XXXXXXXX	
FILE: British style-45 PT	
DRAWN BY: BRAD HASSELL	
DATE: 5-03-05	
PRINT SCALE: 1 to 1	
DRAWN SCALE: 1 to 1	
Pg 1 of 1	