

TOTO®

CST243EF(R)

Entrada™ Close Coupled Toilet, 1.28GPF

FEATURES

- E-Max® flushing system, high efficiency (1.28GPF/4.8LPP)
- Round bowl
- Universal Height
- Close coupled, round front bowl and tank set, seat sold separately
- Chrome trip lever
- 12" Rough-in
- ADA compliant for residential or hospitality use

MODELS

- * CST243EF
- * CST243EFR Right-hand Trip Lever

COMPONENTS

- C243EF - Round Front Bowl
- ST243E - Tank and cover only - Left hand trip lever (shown in photo)
- ST243ER - Tank and cover only - Right hand trip lever
- SS113 SoftClose® seat (sold separately)

COLORS/FINISHES

- Standard
#01 Cotton

PRODUCT SPECIFICATION

The two-piece, universal height, high efficiency E-Max flushing system toilet shall be 1.28GPF. Toilet shall have high-profile tank, round bowl and chrome trip lever. Toilet shall be universal height. Toilet shall be **TOTO Model CST243EF** ____.



E+ E-Max

CODES/STANDARDS

- Meets and exceeds ASME A112.19.2/CSA B45.1
- Certifications: IAPMO(cUPC)
- Code compliance: UPC, IPC, NSPC, NPC Canada, and others
- ADA compliant (when installed with trip lever located on the approach side)



CST243EF(R)

Entrada™ Close Coupled Toilet, 1.28GPF

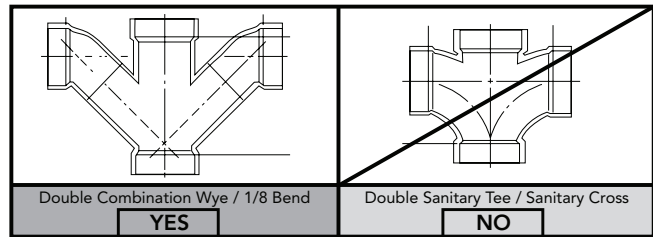
SPECIFICATIONS

- Water Use 1.28 GPF (4.8 LPF)
- Flush System E-Max
- Min. Water Pressure 8 psi (flowing)
- Water Surface 8-3/8" x 10-1/2"
- Trap Diameter 2-1/8"
- Rough-in 12"
- Trap Seal 2-3/8"
- Warranty One Year Limited Warranty
- Material Vitreous china
- Shipping Weight **C243EF** - 52lbs
ST243E(R) - 24lbs
- Shipping Dimensions **C243EF** - 26-1/2" x 16" W1
x 10-1/4" W2 x 17-3/4"
ST243E(R) - 16-1/2" x 8-1/4"
x 15-3/4"

INSTALLATION NOTES

Back-to-Back Toilet Installations:

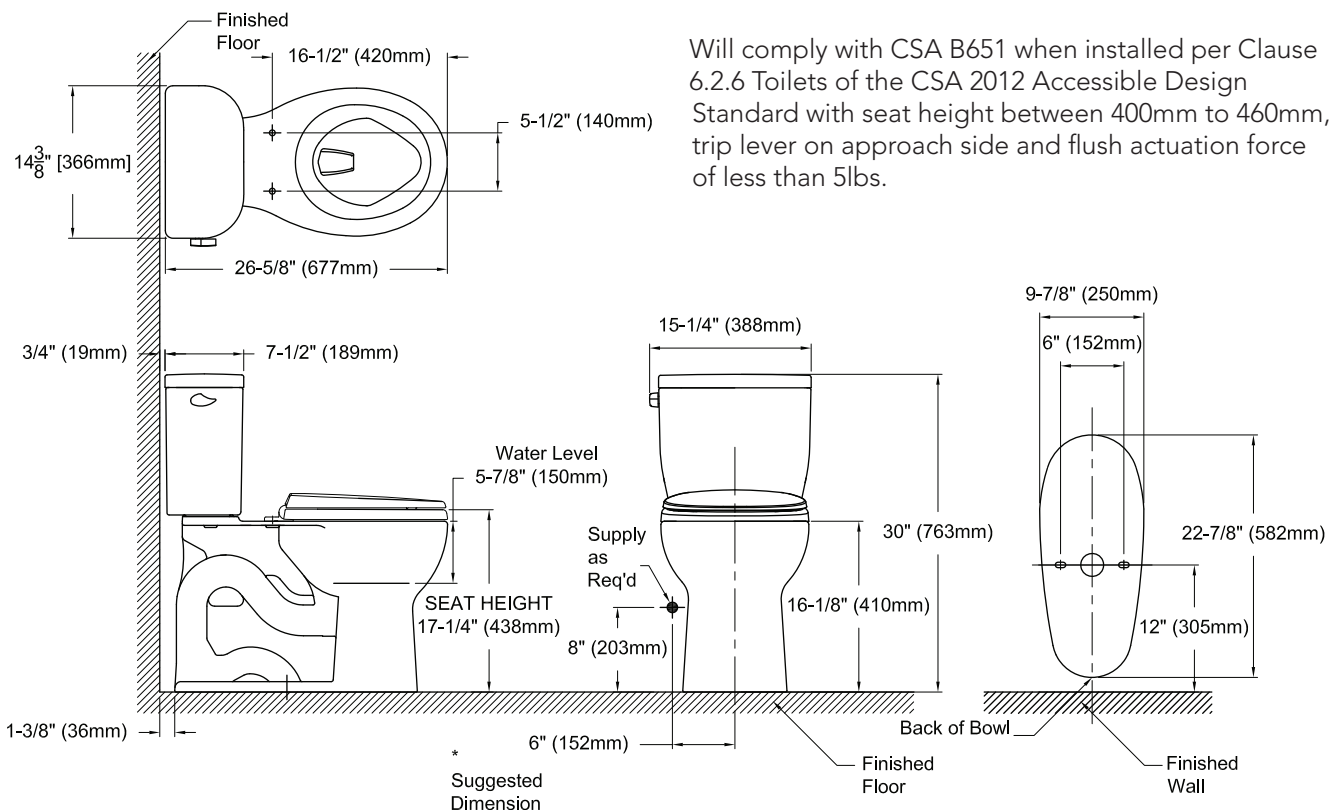
TOTO recommends the use of a nationally listed, double sanitary tee-wye only, in vertical waste stacks, in accordance with the stipulations noted in the majority of nationally recognized plumbing codes.



To maintain adequate wall gap between the back of the tank and wall, mount the floor flange at a nominal 12" rough-in distance.

Will comply with ADA when installed per Section 604 Water Closets and Toilet Compartments of the ADA 2010 Accessible Design Standard with seat height between 17" to 19", trip lever on approach side and flush actuation force of less than 5lbs.

Will comply with CSA B651 when installed per Clause 6.2.6 Toilets of the CSA 2012 Accessible Design Standard with seat height between 400mm to 460mm, trip lever on approach side and flush actuation force of less than 5lbs.



TOTO

These dimensions and specifications are subject to change without notice