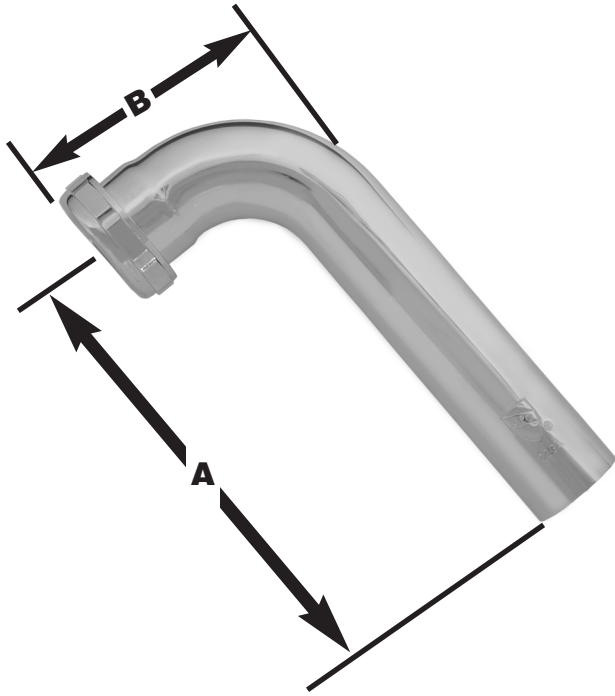


# SPECIFICATION SUBMITTAL SHEET

j o n e s   s t e p h e n s   c o r p o r a t i o n

## BRASS SLIP JOINT WASTE ARM



### features and benefits:

This product and others like it can be found in the Jones Stephens catalog. Call today to order your catalog or download it from our website: [www.plumbest.com](http://www.plumbest.com)

PART NO.	SIZE	GAUGE	A	B	C	D
<input type="checkbox"/> P38-034	1 1/4" x 6"	22	6"	3"		
<input type="checkbox"/> P38-035	1 1/4" x 8"	22	8"	3"		
<input type="checkbox"/> P38-036	1 1/4" x 12"	22	12"	3"		
<input type="checkbox"/> P38-037	1 1/4" x 16"	22	16"	3"		
<input type="checkbox"/> P38-038	1 1/2" x 8"	22	8"	3 1/4"		
<input type="checkbox"/> P38-039	1 1/2" x 12"	22	12"	3 1/4"		
<input type="checkbox"/> P38-040	1 1/2" x 16"	22	16"	3 1/4"		

jones stephens corporation  
3249 moody parkway • moody, alabama 35004  
toll free phone: 1-800-355-6637 • toll free fax: 1-800-462-6991  
[www.plumbest.com](http://www.plumbest.com)