

GALVANIZED ROOF FLASHING

- Hot dipped galvanized steel, chemically treated
- 26 gauge-G90 zinc coating
- Corrosion resistant
- A.S.T.M. A 653/A 653M
- Premium elastomeric collar
- Excellent ozone resistance
- Collar rated 180°F continuous heat
- Approved for Type B installations
- Fits up to 40° roof pitch
- Not for hot-mop applications
- Made in USA

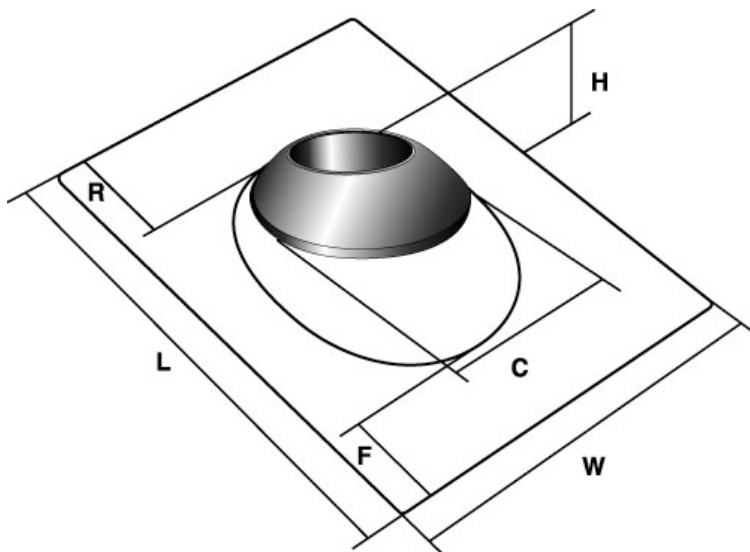
ASTM INFORMATION:

Galvanized Steel:
ASTM A 653/A 653M

EPDM Collar:

Durometer hardness Shore A-60; ASTM D2000; BC 610

***Do not use petroleum base mastics, sealing compounds or paints on collar!**



PART NO.	PIPE SIZE	Dim W	Dim L	Dim R	Dim F	Dim C	Dim H
R40150	1.25" and 1.5"	8.75"	12.625"	3.625"	2.25"	4.25"	2.125"
R40200	2"	8.75"	12.625"	3.625"	2.25"	4.25"	2.125"
R40300	3"	10.75"	14.5"	4.5"	2.5"	5.5"	2.625"
R40400	4"	11.75"	15.5"	4.5"	2.5"	6.5"	2.375"