

Installation Instructions

For set # 5.10102
Steering Rack Bushings



1131 VIA CALLEJON, SAN CLEMENTE, CA 92673

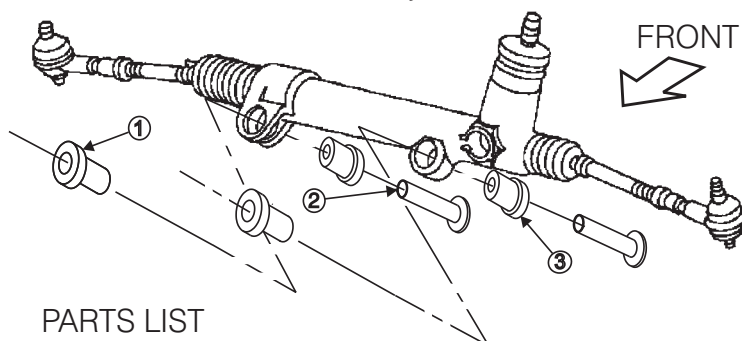
Important - Please READ: It is recommended that if you are unfamiliar with this type of work that you refer to a qualified service center specializing in this type of work. It is also recommended that if you choose to do this work yourself that a factory service manual be obtained for the proper procedures pertaining to component removal, replacement and proper torque specifications for your vehicle. This instruction set is intended as a guideline for the safe installation of Energy Suspension's polyurethane bushings, once you have removed the factory components from your vehicle. Wheel alignment is almost always disturbed when suspension components are removed or replaced. It is recommended that you have the alignment checked on your vehicle at a qualified alignment shop. Prior to installation, make sure that your vehicle is in top mechanical condition and that there are no suspension or steering related problems. These components have been designed to work only with a vehicle that is in good state of repair. No matter how carefully we design our parts, this is one area we have no control over and cannot be held responsible. The installation of these components may void the factory warranty for your vehicle. Please contact your local dealership for details concerning the factory warranty before installation. Energy Suspension recommends that you thoroughly read over all the installation instructions and check all P/N's and quantities in the Parts List before you start. Call customer service at 949-361-3935 if the parts in your kit do not match this Parts List.

© 2016 Energy Suspension. All rights reserved.
May not be reproduced, in any form, or by any means,
without the written consent of Energy Suspension.

DIRECTIONS:

1.) Lock steering wheel to prevent it from rotating, before loosening any fasteners. Raise front of vehicle and support properly, allowing easy access to steering rack location. 2.) Remove rack attaching bolts and remove old bushings. 3.) Install new bushings and O.E. sleeves as shown in diagram. 4.) Position steering rack for installation. Be sure to check that the steering shaft has not separated from the steering rack. Install original bolts and washers, and torque to factory specifications. NOTE: If steering wheel is turned while steering shaft is separated from steering rack, premature deployment of air bag may result!

NOTE: Must reuse factory sleeves, bolts, and washers.



PARTS LIST

2 - 10030 Front upper rack bushing
2 - Factory O.E. sleeve
2 - 10029 Rear lower rack bushings

17277

9/FEB/16 BRH

Installation Instructions

For set # 5.10102
Steering Rack Bushings



1131 VIA CALLEJON, SAN CLEMENTE, CA 92673

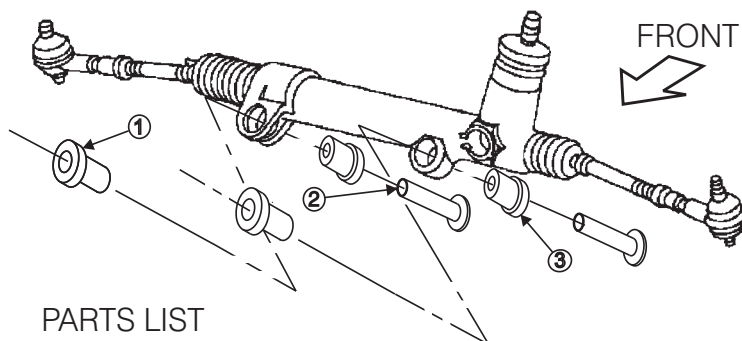
Important - Please READ: It is recommended that if you are unfamiliar with this type of work that you refer to a qualified service center specializing in this type of work. It is also recommended that if you choose to do this work yourself that a factory service manual be obtained for the proper procedures pertaining to component removal, replacement and proper torque specifications for your vehicle. This instruction set is intended as a guideline for the safe installation of Energy Suspension's polyurethane bushings, once you have removed the factory components from your vehicle. Wheel alignment is almost always disturbed when suspension components are removed or replaced. It is recommended that you have the alignment checked on your vehicle at a qualified alignment shop. Prior to installation, make sure that your vehicle is in top mechanical condition and that there are no suspension or steering related problems. These components have been designed to work only with a vehicle that is in good state of repair. No matter how carefully we design our parts, this is one area we have no control over and cannot be held responsible. The installation of these components may void the factory warranty for your vehicle. Please contact your local dealership for details concerning the factory warranty before installation. Energy Suspension recommends that you thoroughly read over all the installation instructions and check all P/N's and quantities in the Parts List before you start. Call customer service at 949-361-3935 if the parts in your kit do not match this Parts List.

© 2016 Energy Suspension. All rights reserved.
May not be reproduced, in any form, or by any means,
without the written consent of Energy Suspension.

DIRECTIONS:

1.) Lock steering wheel to prevent it from rotating, before loosening any fasteners. Raise front of vehicle and support properly, allowing easy access to steering rack location. 2.) Remove rack attaching bolts and remove old bushings. 3.) Install new bushings and O.E. sleeves as shown in diagram. 4.) Position steering rack for installation. Be sure to check that the steering shaft has not separated from the steering rack. Install original bolts and washers, and torque to factory specifications. NOTE: If steering wheel is turned while steering shaft is separated from steering rack, premature deployment of air bag may result!

NOTE: Must reuse factory sleeves, bolts, and washers.



PARTS LIST

2 - 10030 Front upper rack bushing
2 - Factory O.E. sleeve
2 - 10029 Rear lower rack bushings

17277

9/FEB/16 BRH