

Set 2.3106 & Set 2.3107

© 2002 Energy Suspension. All rights reserved.
May not be reproduced, in any form, or by any means,
without the written consent of Energy Suspension.



1131 VIA CALLEJON, SAN CLEMENTE, CA 92673

Must use existing outer metal shells. DO NOT REMOVE FROM CONTROL ARMS!!

Remove old I.D. sleeve and old rubber from the shells
Make sure the I.D. of the shells are clean and free of any old rubber
Apply a light coat of grease to the I.D. of the shell
Apply a light coat of grease to the I.D., O.D. and the flange
Apply a light coat of grease to the O.D. of the new metal sleeve
Install the bushing in the shell and install the sleeve last
Apply a light coat of grease to the faces of the thrust washer that contacts the metal surfaces.

The thrust washers are designed to prevent the control arm from walking side-to-side by accepting side load pressure created during hard cornering. Most kits contain more than one part #. It is very important to install them at the correct location. **See illustration for your set #.**

Grease I.D. and O.D. of bushing lightly

Grease outside flange of bushing lightly

shell

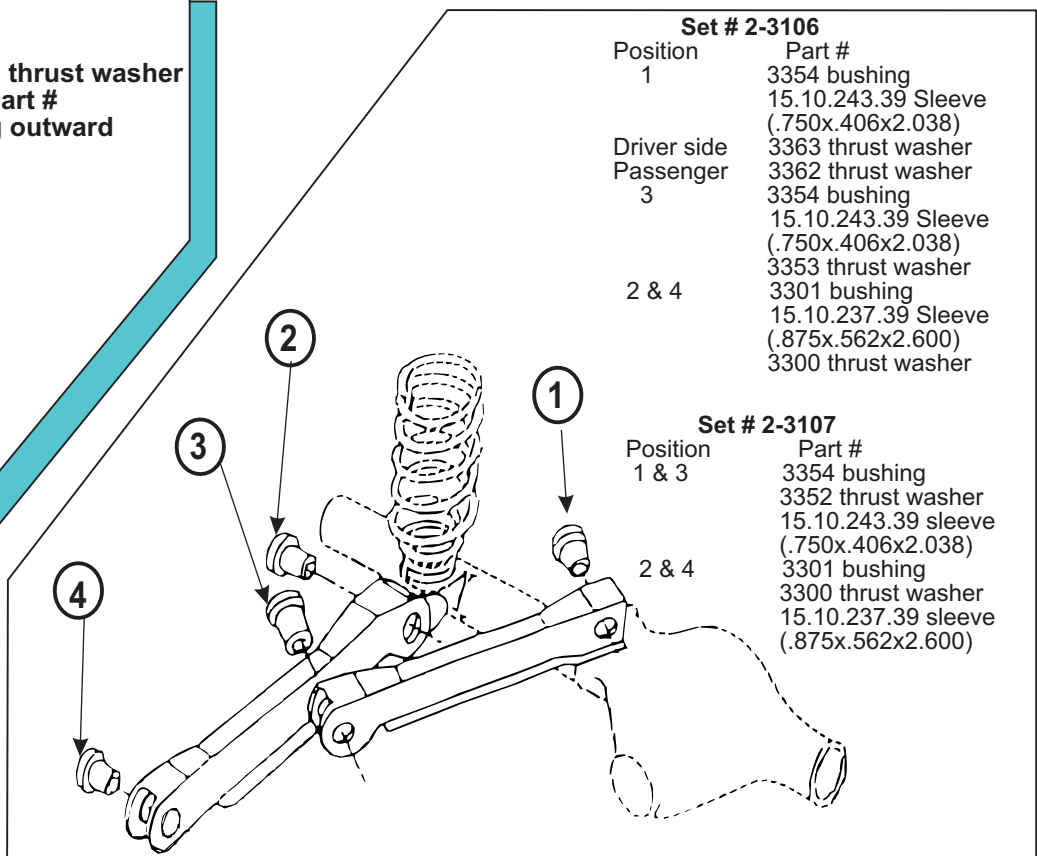
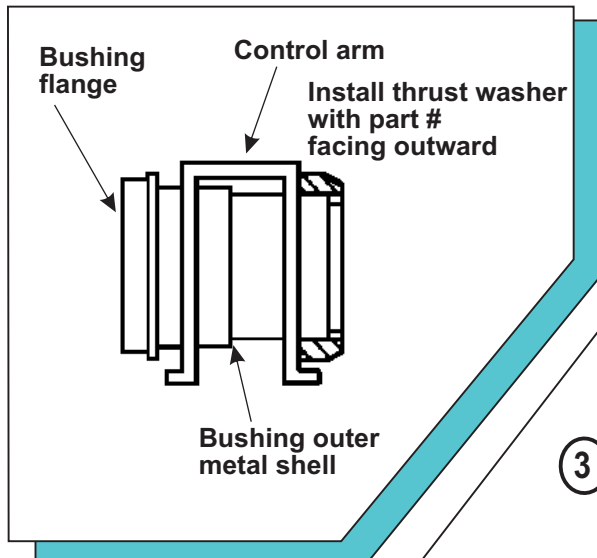
bushing

sleeve

Grease O.D. of sleeve lightly

IMPORTANT:
Coat urethane bushing, sleeve and shell I.D. lightly with supplied grease. (all surfaces of bushings that contact metal)

Note:
When reusing original shells, make sure inside surfaces are free of all old bushing material.



Set # 2-3106

Position	Part #
1	3354 bushing 15.10.243.39 Sleeve (.750x.406x2.038)
Driver side	3363 thrust washer
Passenger	3362 thrust washer
3	3354 bushing 15.10.243.39 Sleeve (.750x.406x2.038)
2 & 4	3353 thrust washer 3301 bushing 15.10.237.39 Sleeve (.875x.562x2.600)
	3300 thrust washer

Set # 2-3107

Position	Part #
1 & 3	3354 bushing 3352 thrust washer 15.10.243.39 sleeve (.750x.406x2.038)
2 & 4	3301 bushing 3300 thrust washer 15.10.237.39 sleeve (.875x.562x2.600)

17280