

YOUR SIGNATURE IS REQUIRED FOR APPROVAL BEFORE ANY RELEASE OF PRODUCTION DRAWINGS

TOLERANCES

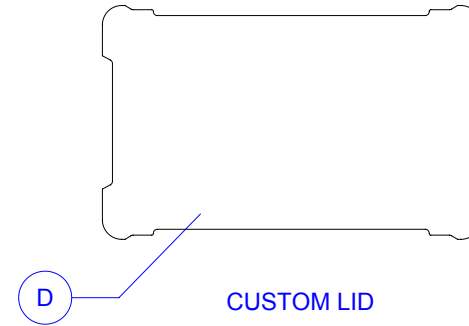
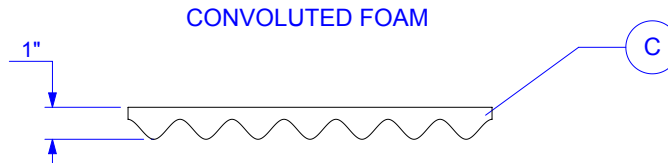
CUTOUTS +/- 1/16

OVERALL FOAM THICKNESS & CAVITY DEPTHS +/- 1/8

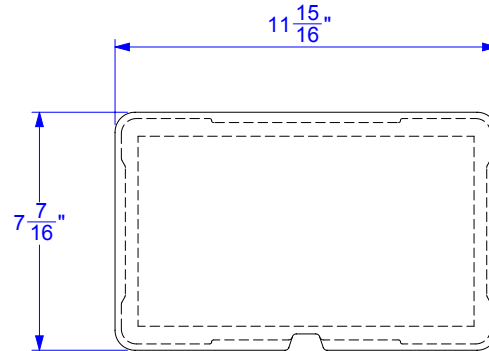
SIGNATURE

DATE

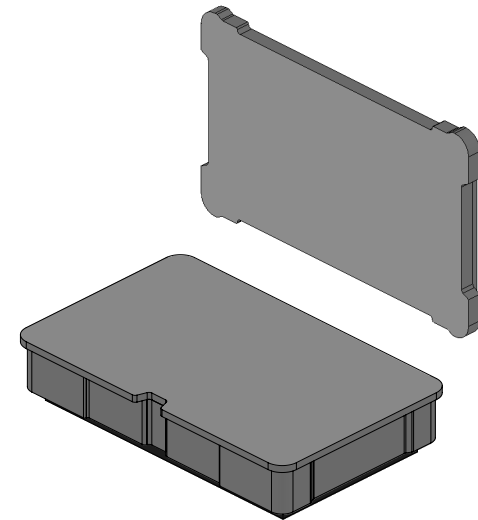
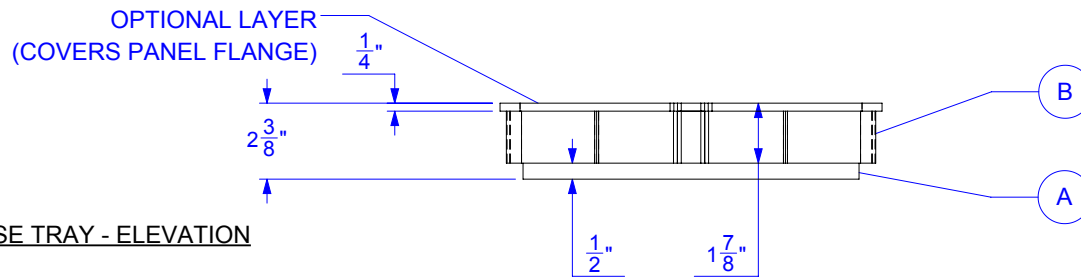
LID TRAY - ELEVATION



BASE TRAY



BASE TRAY - ELEVATION



FOAM DENSITY MAY VARY. DIMENSIONS ARE IN INCHES UNLESS OTHERWISE SPECIFIED

YOUR SIGNATURE IS REQUIRED FOR APPROVAL BEFORE ANY RELEASE OF PRODUCTION DRAWINGS

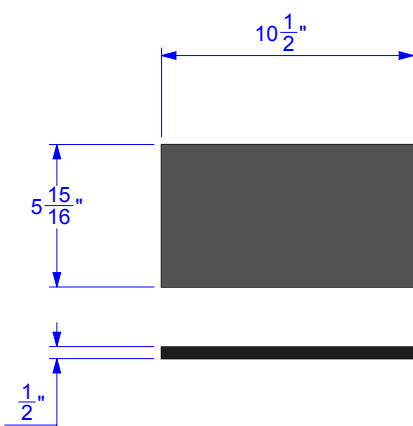
TOLERANCES

CUTOUTS +/- 1/16

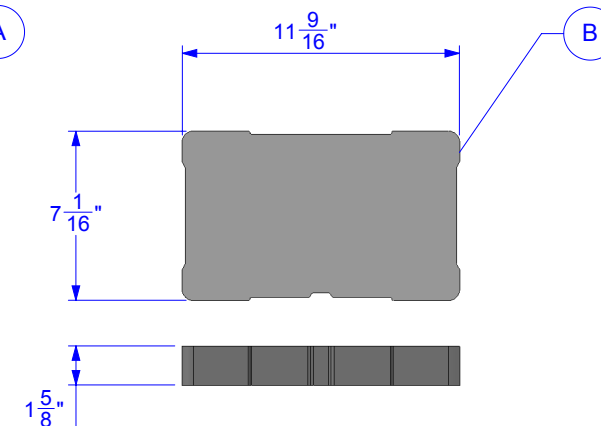
OVERALL FOAM THICKNESS & CAVITY DEPTHS +/- 1/8

SIGNATURE

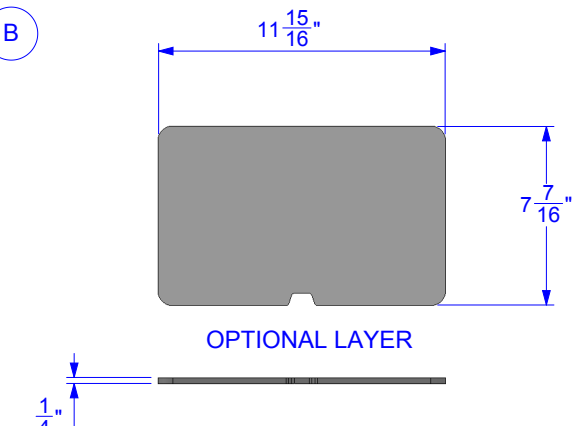
DATE



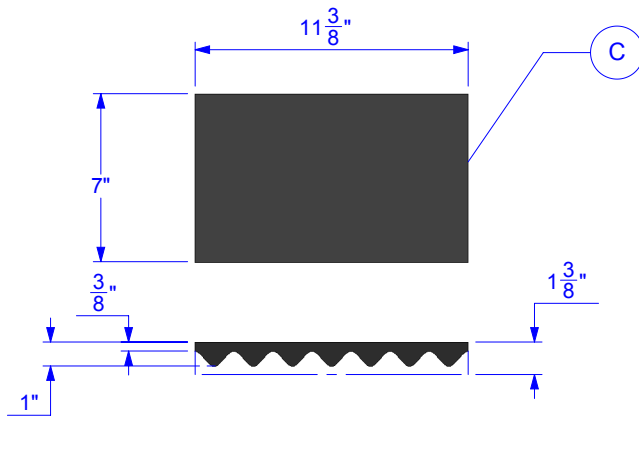
SYNERGY NOIR MATERIAL 1 QTY



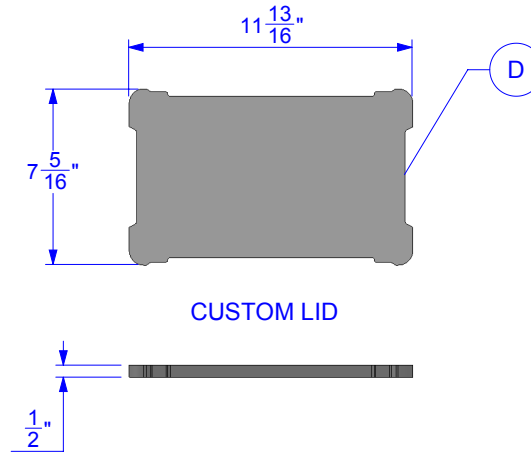
SYNERGY NOIR MATERIAL 1 QTY



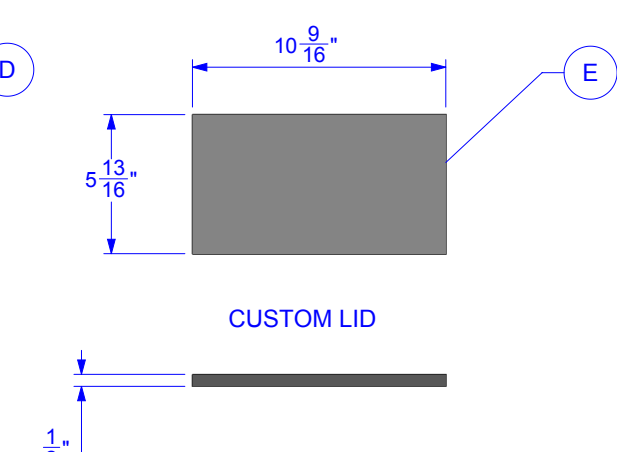
SYNERGY NOIR + 6lbs LAMINE NOIR MATERIAL 1 QTY



PUF 150-55 1 3/8" THICK 1/2" BASE MATERIAL 1 QTY



SYNERGY NOIR MATERIAL 1 QTY



SYNERGY NOIR MATERIAL 1 QTY

FOAM DENSITY MAY VARY. DIMENSIONS ARE IN INCHES UNLESS OTHERWISE SPECIFIED