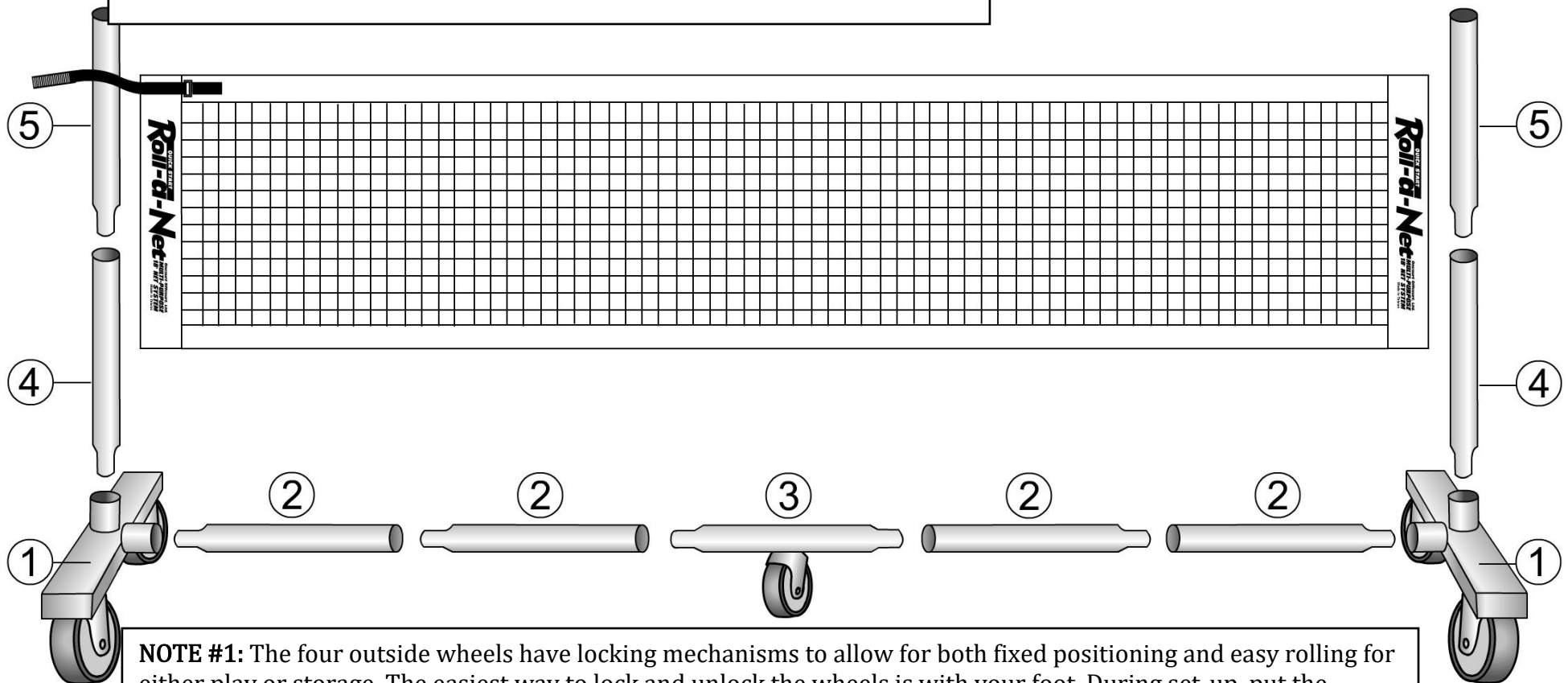


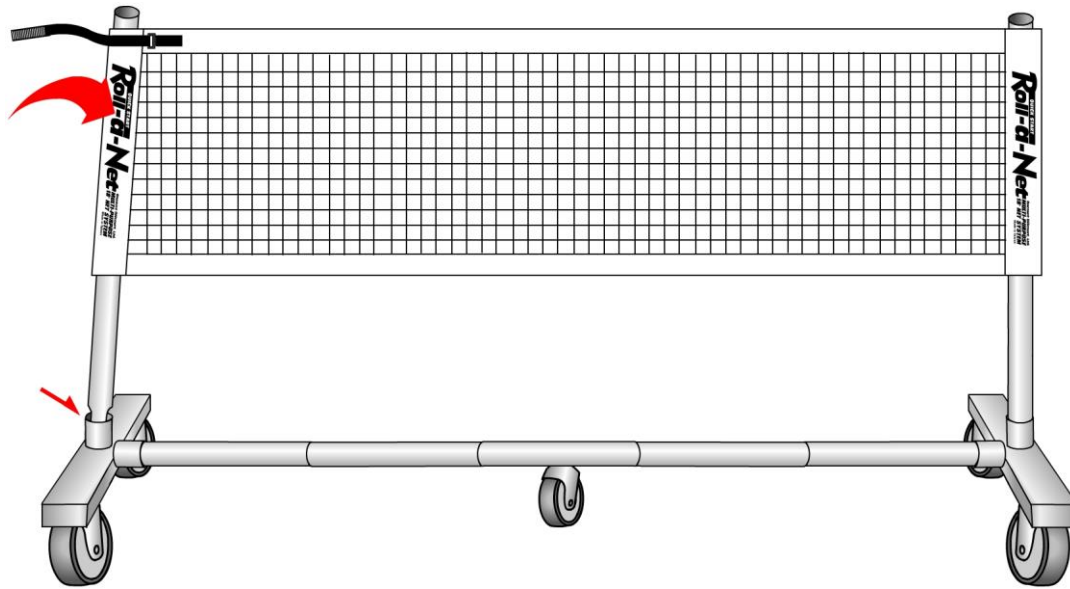
STEP ONE:

Connect the numbers as shown. Insert one vertical post into its base but wait on the second post until **STEP TWO**. Then slip the net sleeve over the first vertical post. The Velcro strap and wider headband are at the top.

WARNING: To avoid net damage during set-up, read the instructions on **ALL 3 PAGES** carefully.

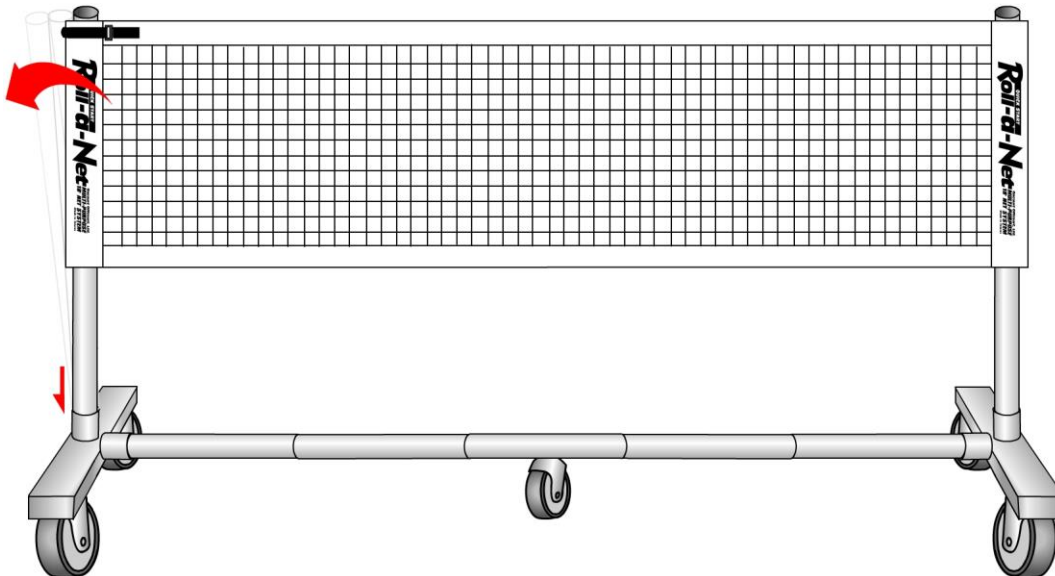


NOTE #1: The four outside wheels have locking mechanisms to allow for both fixed positioning and easy rolling for either play or storage. The easiest way to lock and unlock the wheels is with your foot. During set-up, put the wheels in the locked position



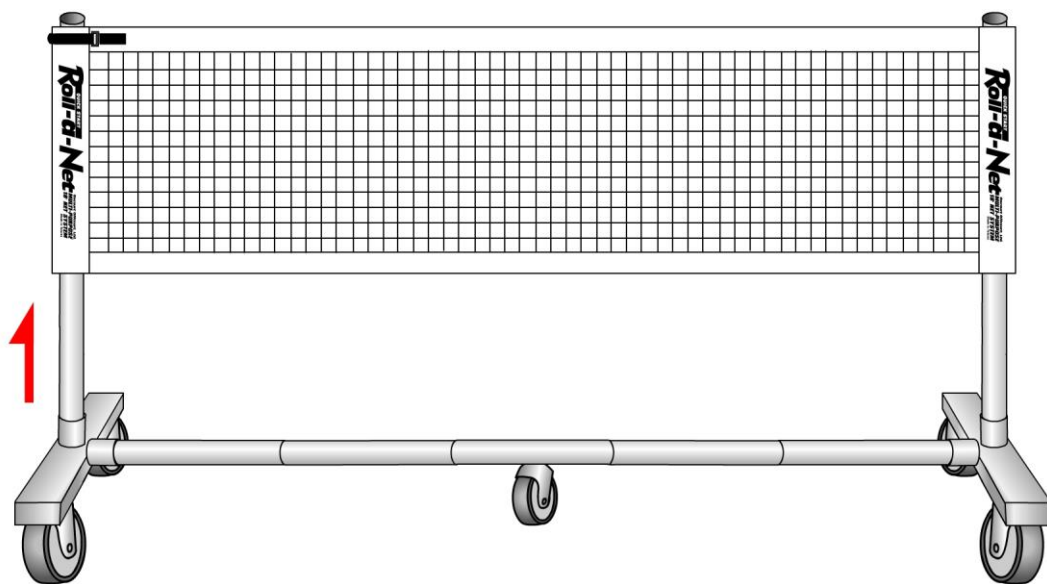
STEP TWO:

Slip the net sleeve over the second vertical post (still not inserted into the base), with the Velcro tension strap and wider headband at the top. The person holding the pole that is not inserted into the base moves over to insert the vertical pole into the base while tilting the pole inwards to keep pressure off the net. In this drawing the right side is fully inserted and the left side is tilted inwards only at the base.



STEP THREE:

The person holding the pole that is tilted inwards simply keeps the edge of the pole in the base while pushing outwards. Then just slide the pole all the way into the base. Once both posts are in place, make final height adjustments to the net, and then tighten the Velcro strap as needed. The 18-foot long Roll-a-Net is the recommended size net for the United States Tennis Association's "10 and Under Tennis" or Quick Start initiative. It also meets regular height requirements for badminton.



NOTE #2: The middle of the 18-foot wide net quickly adjusts from 33 inches for tennis to 60 inches tall for badminton. To most easily adjust the height, release the Velcro strap, slide the net up or down to the desired height, and reapply the Velcro strap. If needed, have one person on each side **slightly** push the posts inwards by leaning against them and then slide the net sleeve up or down by hand.

NOTE #3: The easy way to repeatedly assemble and disassemble the Roll-a-Net is to leave the net over the vertical posts and then just roll the net up into the carry case.

