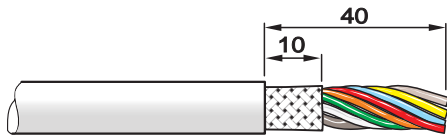




ASSEMBLY INSTRUCTION

etherCON | Ruggedized RJ45 Data Connector Chassis type with cable termination

A



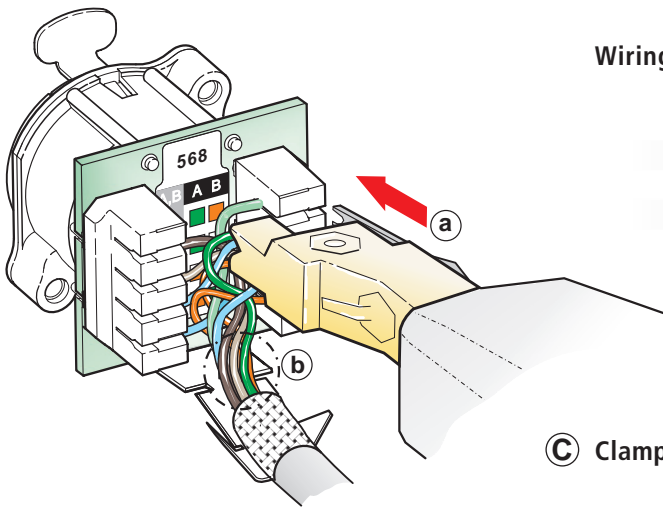
A Strip cable according to figure.

B **a** Terminate the wires with proper punch-down tool.

- Krone tool for NE8FAV-YK
- 110-tool for NE8FAV-Y110

b Take care that the untwisting of pairs does not exceed 13 mm.

B



Wiring:

568		#	
#	A B	A B	#
7	Br	Gr	2
8	Br	Wi/Gr	1
5	Wi/Bl	Wi/Or	3
4	Bl	Or	6

TIA 568A

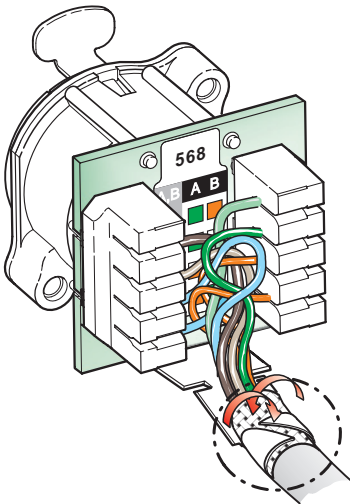
TIA 568B

TIA 568A		TIA 568B	
Wi/Br	Gr	Wi/Br	Or
Br	Wi/Gr	Br	Wi/Or
Wi/Bl	Wi/Or	Wi/Bl	Wi/Gr
Bl	Or	Bl	Gn

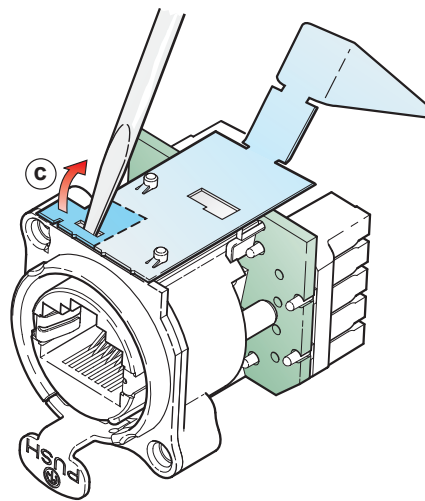
C Clamp cable shield onto shield plate.

D For isolated applications (no connection between shield and front panel) please remove precut piece **c**.

C



D



NEUTRIK AG
NEUTRIK Zürich AG
NEUTRIK USA Inc.
NEUTRIK (UK) Ltd.

LI T: +423 / 237 24 24 F: +423 / 232 53 93
CH T: +41 44 / 736 5010 F: +41 44 / 736 5011
USA T: +1 732 / 901 9488 F: +1 732 / 901 9608
UK T: +44 1983 / 811 441 F: +44 1983 / 811 439

NEUTRIK Vertriebs GmbH
NEUTRIK France
NEUTRIK Tokyo Ltd.
NEUTRIK Hong Kong Ltd.

DE/NL/AT T: +49 8131 / 280 890 F: +49 8131 / 280 830
FR T: +33 1 / 4131 6750 F: +33 1 / 4131 0511
JP T: +81 3 / 3663 4733 F: +81 3 / 3663 4796
HK T: +852 / 2687 6055 F: +852 / 2687 6052