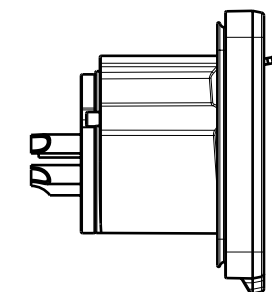
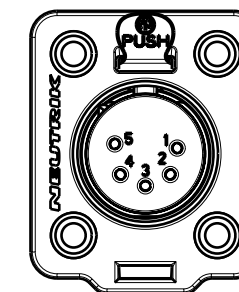
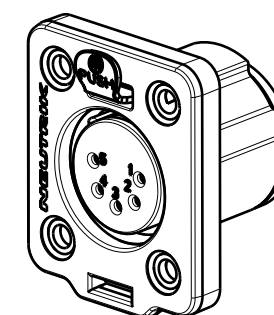
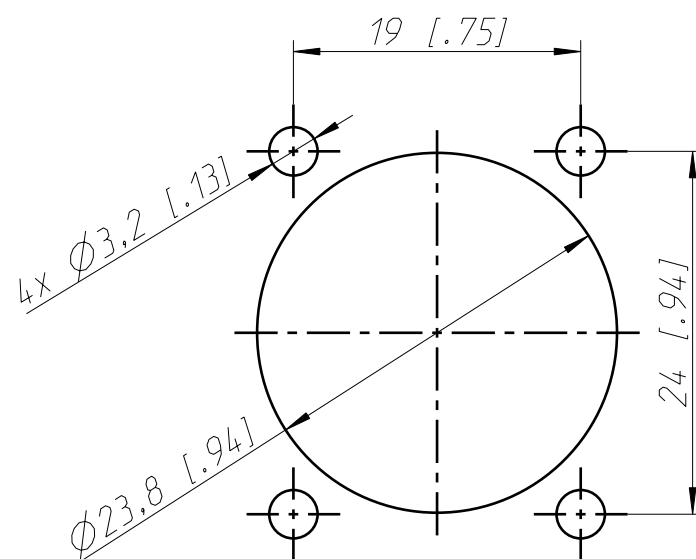


Frontplattenausschnitt  
panel cut out



1:1

Refer to protection notice ISO 16016.	Scale 2:1 (A3)	Drawn	Date	Name
		Modified	01.03.18	jutz b
Name  NC5FDX-TOP		Change-No.	Sheet-No.	Index
		-	1 / 1	-
Replacement for:		Drawing-No.		
NEUTRIK		ST-NC5FDX-TOP		