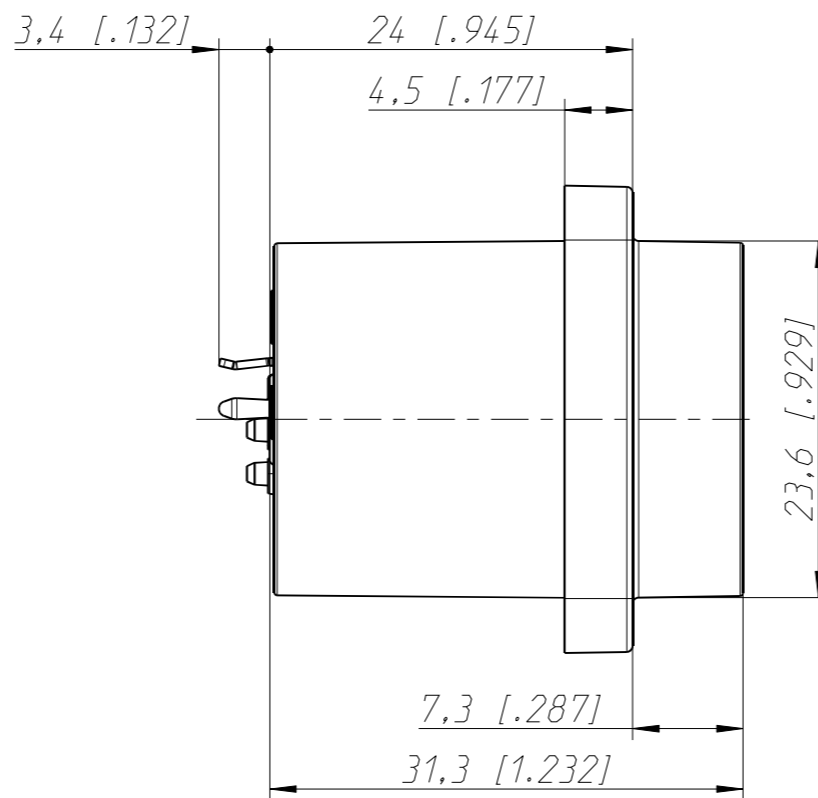
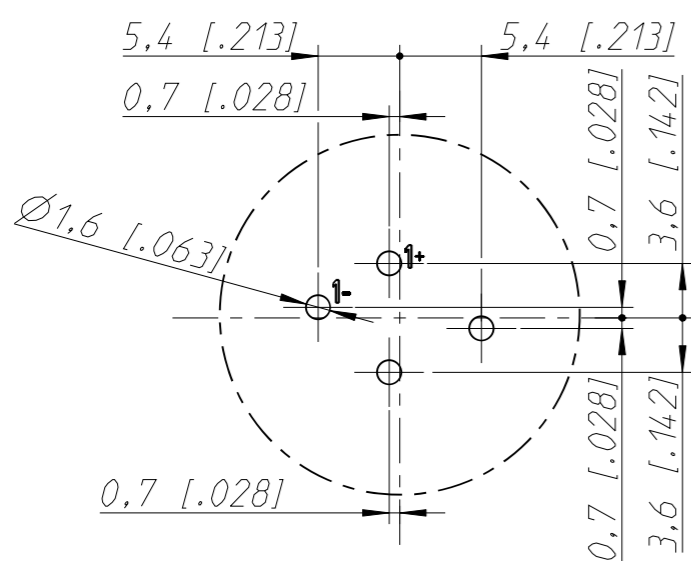
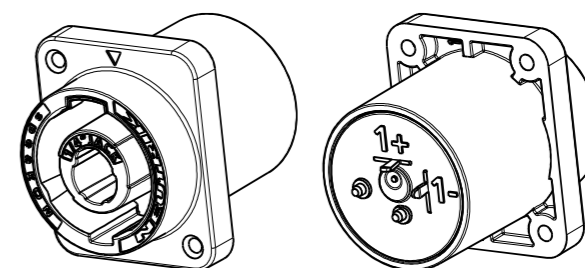
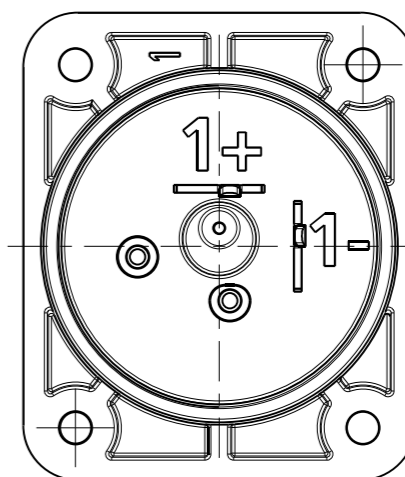
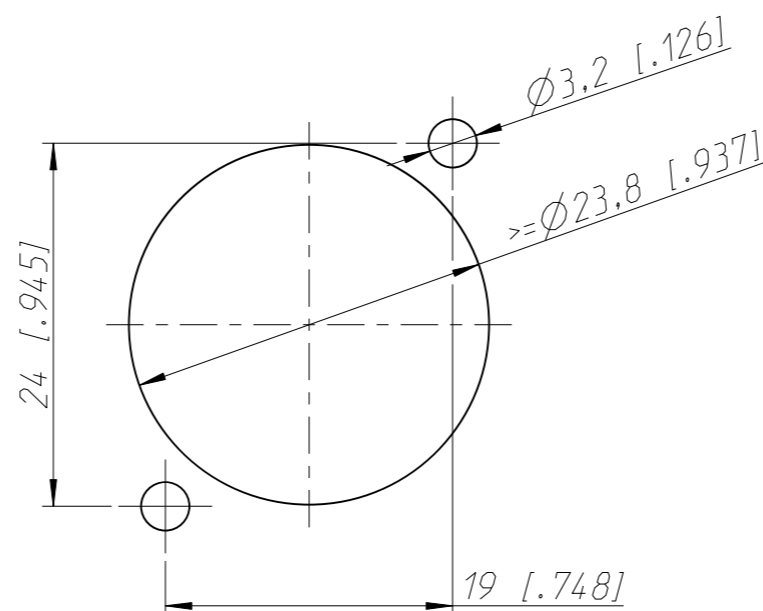


Leiterplatten Bohrplan Bestueckungsseite
PCB-Layout (component side)
Toleranz ± 0.05 (0.002)



Frontplattenausschnitt Rueckseite
Panel cut out (rear-side)



1:1

| | | | | | |
|---------------------------|----------------|-------------------------|-------------------------|----------------------------|--|
| Sheet Number 1/1 | Projection | Scale 2:1 | Format A3 | Tolerancing ISO 2768-mK | |
| ECN Number - | | Created 23.07.2020 | Modified 09.10.2020 | ssh | |
| Description NLJ2MDXX-V | | | Approved 23.09.2021 | sfr | |
| | | | Status Released | | |
| NEUTRIK | | 3D Model ID 30009154 | Document ID 20003604 | Revision A | |