

Table of contents		
1	Base element	2
2	Adjusting nut	2
3	Compression pad	2
4	Counternut	2
5	Grub screw, brass, 7 mm	2
6	Doublestep washer with square socket and tappet, PA, 4.6 mm, red and white	2
7	Insulating tooth lock washer: red a. white alternative* puzzle lock washer: black + optional** fan-shaped washer, bronze	2
8	19-mm connection bracket, PA, red or white	1
9	Marking ring, PA, red and white	2
10	Insulation cap, dia. 16 x 20, Makrolon®, transparent	2
11	Insulation bowl, dia. 18.9, Makrolon®, transparent	2

Extent of delivery : 1-11, fan-shaped washer optional/ parts 1-11 mounted***

Revision date: 2000-06-29

WBT-0735 complies with current CE* and IEC 65** safety regulations*.

* CE is the abbreviation of Conformité Européenne.

** IEC is the abbreviation of International Electrotechnical Commission.

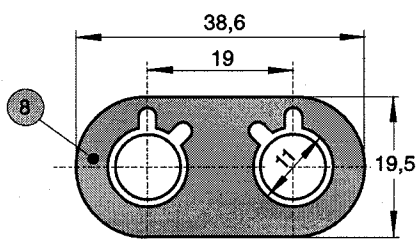
All rights reserved by WBT - Petty patent (DBGM 90020367) and int. registered design (M9001263) by WBT. WBT is a reg. trademark of WBT, Germany. Makrolon is a reg. trademark of Bayer AG, Germany.

* alternative for OEM version only

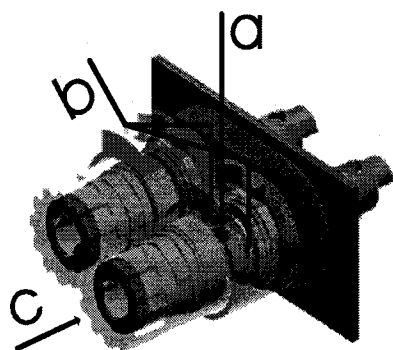
** option for OEM version only

*** for consumer version only, for OEM version: parts 1-3, 9-11 mounted

All dimensions in mm



Drilling scheme (original size)



External connection possibilities (see under 5.)

*Safety instruction: within the EU territory WBT-0735 must not be used without the safety-stick (WBT-0799) (to provisionally close the 4-mm banana-borings).

WBT-0735 Double pole terminal

High-current audio connector for amplifiers and loudspeakers

- Mechanics**
 - single-segment, low-tolerance contact elements (tol. less than ± 0.02 mm)
 - solid basic element with 4-mm boring for banana plug, internal screw box with cross boring for direct cable connection. Adjusting nut with free running compression pad and extra-fine thread (0.5 pitch) for optimum contact pressure on spade lugs and cable ends.
- Materials**
 - all solid parts made of highly ductile "OFC" copper alloy (68% Cu)
 - insulating material: polyamide (PA) 6 (15% glass fibre), red, white or black/Makrolon® polycarbonate), transparent/polycarbonate (30% glass fibre), black
- Surfaces**
 - WBT 24-carat gold-plating: Ni-free, Cu 11 μ m duplex, Pd 4 μ m, Au 0.3 μ m duplex, non-magnetic
- Operating characteristics**
 - constant current $I_b > 200$ A
 - contact resistance $R_0 \leq 0.1$ mohms (clamp connection)
 - contact resistance $R_0 \leq 0.15$ mohms (plug connection with standard banana plug)
 - contact resistance $R_0 \leq 0.1$ mohms (plug connection with WBT banana plug)
 - volume resistance $R_B \leq 0.003$ mohms
 - isolation resistance $R_{iso} > 10^{10}$ ohms
- Terminals:**
 - internal connection (for cables up to 10 mm² (AWG 8)):
 - soldering version
 - crimping version (for pc board mounting, see under 7.)
 - external connection:
 - a) for crimped cable ends up to 6 mm² (AWG 10)
 - b) for spade lugs (with 6- or 8-mm contact fork)
 - c) for 4-mm banana plugs, also twin plugs (19-mm spacing)
- Mounting**
 - using connection bracket in acc. with mounting diagram (8) : 19-mm standard spacing
 - The single terminal can be installed in steps of 45°
 - single, without connection bracket: boring: dia. 11.5 ± 0.2 mm with 2.5 x 2 nut for twist protection
 - WBT also offers special-parts and -information hereto. Please ask us!
- Pole terminals (single) for direct pc-board mounting are also available (WBT-0766)**