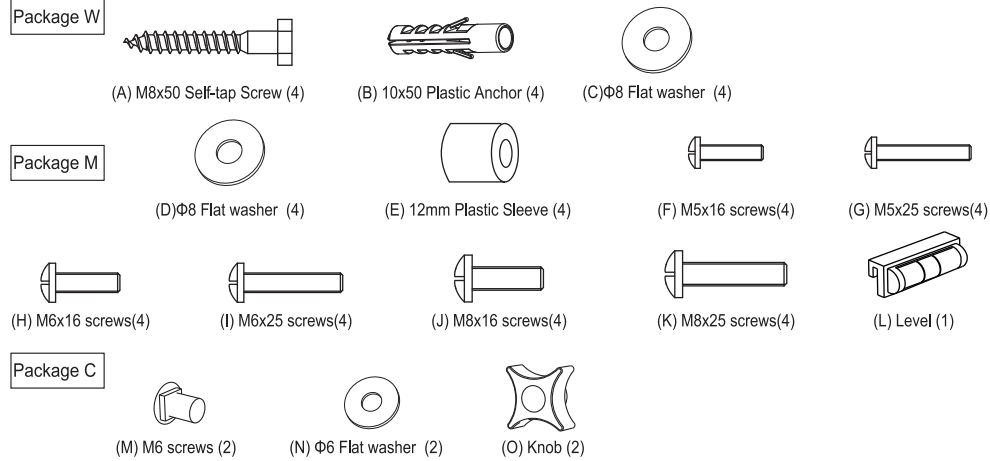


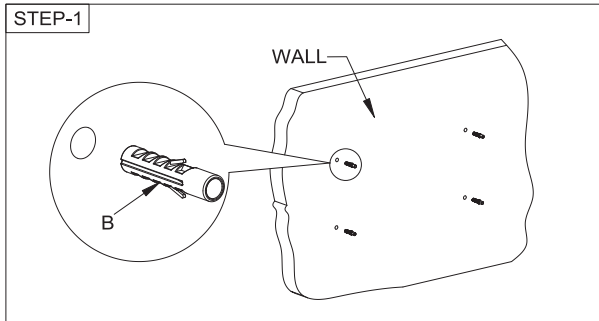
1. Parts List

Please check the parts in the package in comparison with the following list, make sure all of the parts are in the package. Never use defective parts, never replace part with different specification.

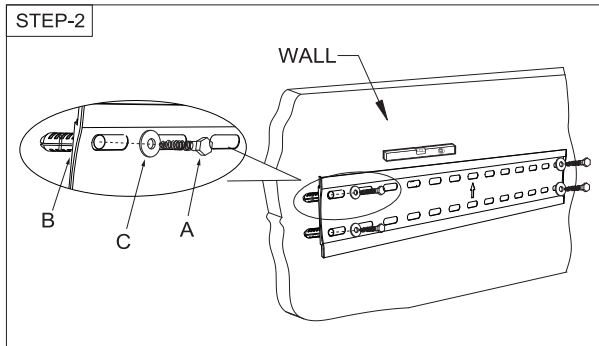


2. Installation and operation instructions

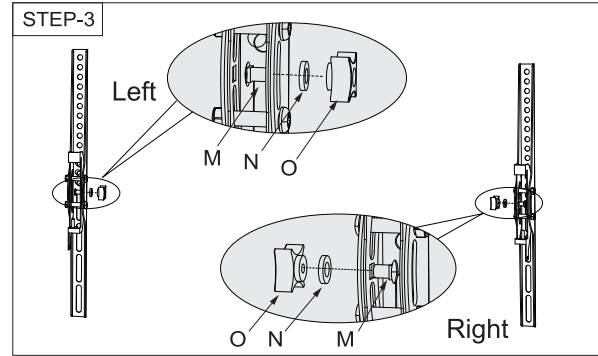
Note: please read the instructions carefully before installation!



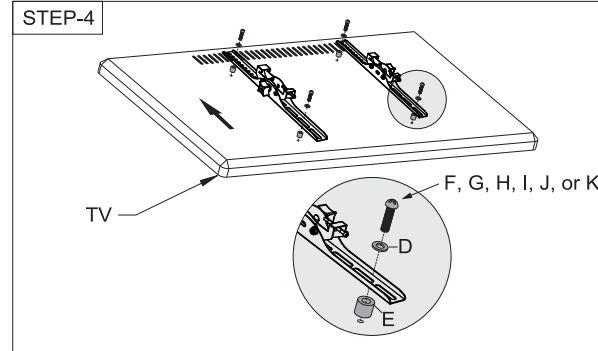
Step 1:
Use the wall plate as a template to drill four holes of dia. 10mm and 55mm depth in the wall. Then push the four plastic anchors into the holes.



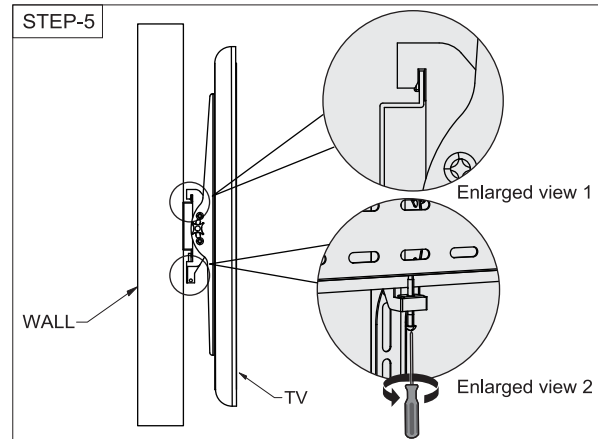
Step 2:
Install the wall plate. Put the wall plate on the wall, and then screw four self-tap screws into each plastic anchor through metal washer to fix the wall plate onto the wall.



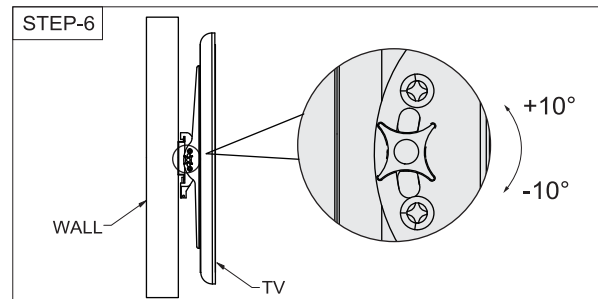
Step 3:
Install the knobs to the hanging arms (I/J/K), with one piece of washer each side.



Step 4:
Install the bracket rail onto the back of the TV. Screw two bolts into the holes in the back of the panel TV to install each monitor bracket. Make sure the distance from each bracket to the top of the panel TV is equal, and also as center as possible. The parts shall be selected according to the dimensions of the holes in the back of the panel TV.



Step 5:
Enlarged view 1: hang the two monitor brackets on the wall plate, relax the hands until they are caught hold of.
Enlarged view 2: Fix the two bolts under the monitor brackets inside of the wall plate and then screw them down.



Step 6:
Adjust the angle of the panel TV between -10 and +10 degrees to a suitable position, and screw the knobs up at last.