

RCi SERIES

**RC6s
Custom Wall &
Ceiling Speaker**

**Owner's
Manual**

**High
Performance
In-Wall
Speakers**

polkaudio
the speaker specialists®

PERFORMANCE ENHANCING ACCESSORIES

Your authorized Polk Audio dealer can recommend a slew of audiophile accessories to help you get more performance from your system. Or, for high quality speaker stands that match our speaker finishes, wall-mount brackets, system enhancing accessories, exclusive Polk Audio logowear and more, visit our WebStore: <http://shop.polkaudio.com>.

FEATURES

- True stereo sound from a single speaker: Dual tweeters in a stereo faceplate deliver left & right channel highs, while a dual voice coil driver automatically “sums” left & right channel mids and bass, for lifelike stereo imaging.
- Delivers stereo sound in locations where there is only enough space for a single speaker (corners or even enclosed shower stalls!).
- Round shape and flush design mimics the look of a recessed lighting fixture for the ultimate in “stealth” sound.
- Dynamic Balance® Composite Cone Driver is timbre-matched to other Polk Audio speakers for seamless, enveloping imaging when used in a home theater or whole house sound system.
- Durable Rubber Surround outlasts the competition's foam surrounds for years of trouble-free performance.
- Moisture-resistant materials make it safe for use in bathrooms, kitchens, saunas, even under outdoor roof-eaves.
- Polk's Rotating Cam Mounting System: the fastest and easiest installation system ever!
- Infinite Baffle Tuning uses the virtual enclosure of in-wall space for superior bass response.
- Paintable grille and flange allows the RC Series in-wall speakers to virtually disappear in your room.

RECOMMENDATIONS FOR IN-WALL, IN-CEILING PLACEMENT FOR STEREO SPEAKER

The RC6s Stereo In-Wall Loudspeaker delivers lifelike stereo sound with a single speaker in places where a pair of speakers would be impractical. [Figure 1]

This stereo in-wall loudspeaker is designed to work well in any standard ceiling (or wall) mounting. The mounting surface must be at least 3/8" thick, and best performance will be achieved when the in-wall air volume is greater than .5 cubic feet. (This speaker's Infinite Baffle Tuning uses the virtual enclosure of in-wall space for superior bass response.)

Placement for custom in-wall and in-ceiling speakers demands careful consideration, since installation requires that you cut a hole in your wall or ceiling!

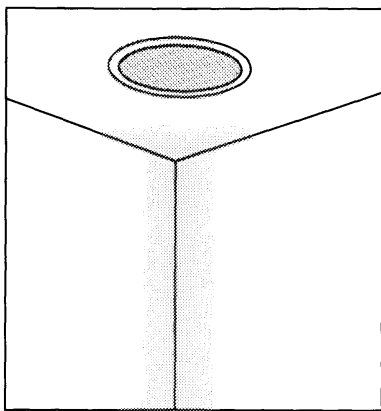


FIGURE 1

The RC6s gives you lifelike stereo imaging from a single speaker, It's made to fit locations where a pair of speakers would be impractical, such as corners, hallways, or even shower stalls.

A NOTE ABOUT SPEAKER SHIELDING

This speaker is NOT magnetically shielded and should not be placed within 6" of a television set or video monitor. If you see any color distortion on your TV or monitor, move the speaker away from the TV or monitor. Contact Polk Audio Customer Service 800-377-7655 (M-F, 9-6 EST, US only) or via email polkcs@polkaudio.com. Outside the US, call 410-358-3600.

SAFETY FIRST

When installing your in-wall loudspeakers, be aware of the weight of your particular model (see specification page for the weight of your model) and the sturdiness of the material into which you are installing the speaker. Also be aware of any concealed studs, electrical wiring or plumbing in the wall or ceiling into which you are installing the speakers. If you are not sure of a safe way to install these speakers, consult a professional installer, your authorized Polk Audio dealer, or a building contractor.

PAINTING YOUR RC SERIES IN-WALL LOUDSPEAKERS

You will need:

- Paint of your choice (to make the job easier, we recommend spray painting the grille.)
- A paperclip or corkscrew (for removing the paintable grille; corkscrew can also be used to open a nice bottle of wine when you relax with your newly painted speakers).
- Masking tape.
- Paint mask (to cover the unpaintable parts, *supplied!*).

PREPARING TO PAINT:

1. Separate the parts of the speaker. If the speaker is not yet installed, the grille can be removed simply by pushing the clamp screws forward to push the grille off the speaker from the inside. If the speaker is already in the wall, carefully hook the grille with a bent paper clip and pull it gently away from the frame. [Figure 2]
2. When painting the frame of the speaker, use the supplied paint mask to carefully mask off the front of the speaker to protect the driver and baffle while painting. You can do this while the speaker is already installed in the wall (if, for instance, you're repainting the room). If you do not have the paint masks, carefully mask the speaker components using paper and masking tape. [Figure 3]

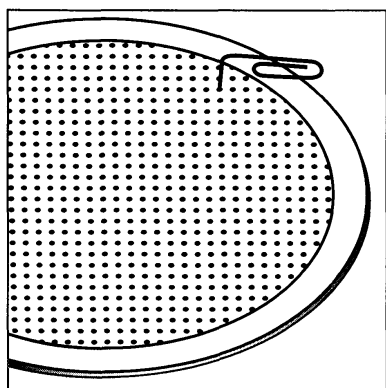


FIGURE 2

Use a paperclip to remove grille.

Use un sujetapapeles para quitar la rejilla.

Utilisez un trombone pour retirer la grille.

Entfernen Sie den Gitteraufsatz mit einer Büroklammer.

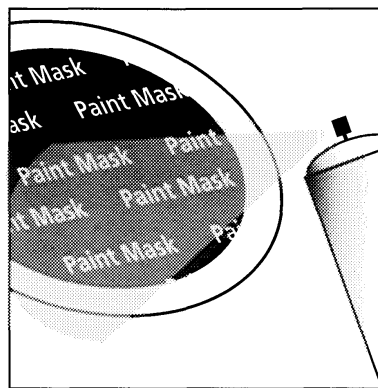


FIGURE 3

Mask the drivers and baffles, then spray paint in thin coats.

Enmascare los excitadores y los baffles, luego aplique manos delgadas de pintura aerosol.

Masquez les haut-parleurs et les écrans acoustiques puis vaporisez la peinture en couches minces

Decken Sie die Treiber und Resonanzwände ab. Spritzen Sie dann den Lack in dünnen Schichten auf.

PAINTING THE FRAME:

1. Apply paint to exposed (unmasked) parts. Use two or more thin coats. Spray painting is recommended.
2. Remove the masking material as soon as you apply the final coat. This avoids peeling up the dried paint on the speaker along with the masking tape or paper later.
3. Allow the speaker to dry fully before handling.

PAINTING THE GRILLE:

1. The grille of your loudspeaker features an even, protective powder coating. This powder coating is an ideal primer.
2. Grilles must be spray painted. Do not use a brush. Thick, brushed paint may clog the grille holes.
3. If your speaker model features a removable fabric scrim, carefully remove it by peeling it away from the inside of the grille. Place this on a clean, flat surface where it will not get wrinkled. [Figure 4]

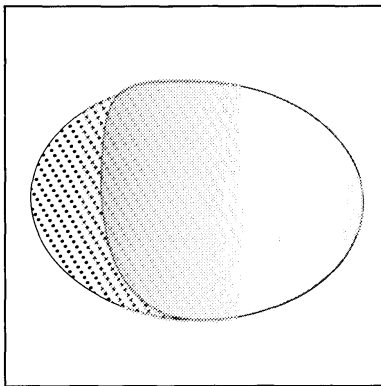


FIGURE 4

Peel away fabric grille scrim before painting grille.

Retire la gasa difusora de la rejilla antes de pintar la rejilla.

Avant de peindre la grille, détachez et enlevez le tissu.

Ziehen Sie den Stofffilter vom Schutzgitter, bevor Sie das Schutzgitter streichen.

4. After removing the grille from the speaker frame by carefully hooking it with a bent paperclip and pulling it gently away from the frame, spray on two thin coats of finish color. If you're using a compressor and spray gun, use the finest, most diffuse setting. Be careful not to fill the holes in the grille with paint. [Figure 5]
5. If your speaker model features a removable fabric scrim, carefully press the fabric scrim back into place on the inside of the grille before replacing the grille. The speaker fabric scrim hides the speaker's drivers from view and will not interfere with the sound.
6. When the paint is completely dry, carefully reinstall the grille by fitting it into its recess so that it is just resting on the frame. Starting with one side, go around the speaker and push the grille into the grille notch a little bit at a time. Be gentle: the grille may be easily bent out of shape by rough handling. You will feel a positive "snap" when it is fully in place.

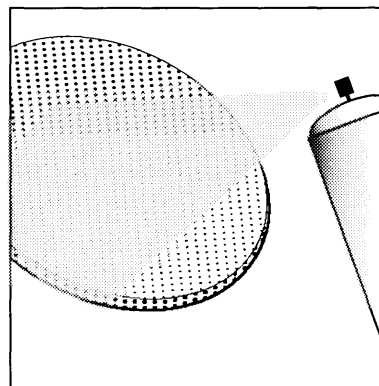


FIGURE 5

Paint the grille. Use thin coats of spray paint. Do not block grille holes with paint.

Pinte la rejilla. Aplique manos delgadas de pintura aerosol. No bloquee con pintura los agujeros de la rejilla.

Peinturez la grille. Appliquez des couches minces de peinture aérosol. N'obstruez pas les trous de la grille de peinture.

Streichen Sie den Gitteraufsatz. Verwenden Sie dazu dünne Spritzlackschichten. Die Öffnungen des Gitteraufsatzes dürfen nicht mit Farbe bzw. Lack blockiert werden.

INSTALLATION IN-WALL, IN-CEILING PLACEMENT

Out of the box and into the wall, that's how easy it is to install Polk Audio in-wall and in-ceiling loudspeakers.

If you intend to do the installation yourself we recommend that you possess some skill in the proper use of hand and power tools. You should have a thorough understanding of local building and fire codes and a familiarity with the area behind the wall or ceiling into which you plan to install your speakers.

Proper installation of in-wall or in-ceiling speakers requires that you run your speaker wires before the install begins. Wire meeting appropriate building and fire codes must be used (and this is your responsibility, of course). Wiring is best performed by an experienced professional. If you are in doubt that you possess the necessary skills or tools, consult your Polk Audio dealer, or a professional installer.

YOU WILL NEED:

- Pencil for marking the location of installation.
- Keyhole saw, utility knife or material-appropriate tool for cutting drywall or other wall material.
- Screwdriver, preferably powered, with Phillips head bit.
- Power drill with appropriate bit (optional, for starting wall cut).

FOLLOW THESE EASY STEPS:

1. Make sure the material into which you plan to mount the speakers (plaster, dry-wall, paneling, stone, etc.) can support the weight of the speakers (see specification page for the weight of your model).
2. Make sure the locations you select do not conceal studs, electrical wiring or plumbing. Prior to installation, hold the speaker in your chosen location to make sure it safely clears obstacles such as studs, corners, beams, lighting fixtures and door/window frames. Your cutout must be at least 1" from adjoining walls or ceiling, internal studs or plumbing.
3. Using the template, trace the installation location with a pencil. You can do this by holding the template in your preferred location and tracing within it or around it. This is the exact cutout size. [Figure 6]
4. Carefully cut the hole with the appropriate cutting tool for your wall or ceiling material. Start the hole by drilling a hole on the inside of the tracing (with the drill bit touching the line). Use this hole to insert the saw or knife and begin cutting. [Figure 7]
5. Once you have cut the hole, fish your previously positioned wiring out of the hole and connect the speaker. Follow the hookup directions included with your receiver and in this manual.

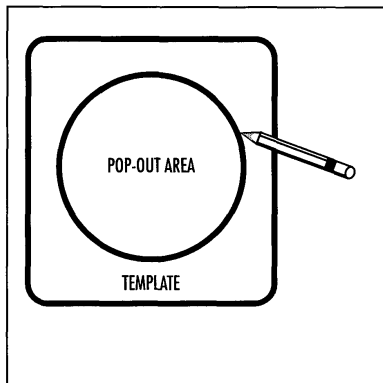


FIGURE 6

Round Template: Trace within the pop-out area.

Plantilla redonda: Marque dentro del área que se va a desechar.

Gabarit rond: Tracez à l'intérieur du gabarit.

Runde Vorlage: Umranden Sie den inneren, gestanzten Teil der Vorlage.

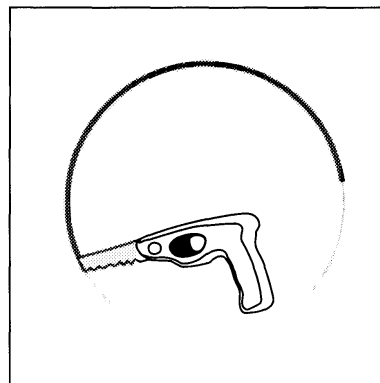


FIGURE 7

Cut the hole with the appropriate tool.

Haga el corte con la herramienta apropiada.

Taillez l'ouverture avec l'outil approprié

Schneiden Sie die Öffnung mit dem entsprechenden Werkzeug aus.

USING SPRING CLIP CONNECTORS

Push the Push Post “in” to open the hole located on the post. Insert bare wire onto the hole and release the post, which grasps the wire and makes the connection. Do not insert the insulated section of speaker wire; this will result in poor connection. Repeat for each terminal.

[Figure 8]

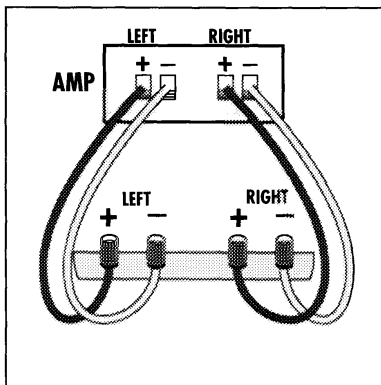


FIGURE 8

Hook up the speaker wires.

Conecte los cables de los altavoces.

Branchez les fils de haut-parleur.

Schließen Sie die Lautsprecherkabel an.

IN-WALL MOUNTING

1. To mount the speaker, make sure that the rotating wall clamps are flipped inwards so that your speaker fits into your cutout without nicking your wall. Then place the speaker carefully into the cutout. [Figure 9] Tighten the wall clamp screws with a screwdriver. This will rotate the wall clamps and secure the speaker to the wall. [Figure 10] Hint: Do not overtighten the wall clamp screws.

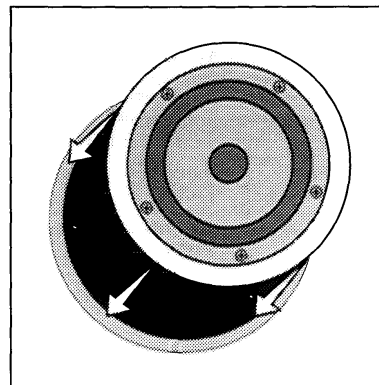


FIGURE 9

Place the speaker carefully into the cutout.

Coloque cuidadosamente el altavoz en el agujero.

Placez délicatement le haut-parleur dans l'ouverture.

Platzieren Sie die Lautsprecher vorsichtig in der ausgeschnittenen Öffnung.

2. Carefully reinstall the grille by fitting it into its recess so that it is just resting on the frame. Starting with one corner, go around the speaker and push the grille into the grille notch a little bit at a time. Be gentle; the grille may be easily bent out of shape by rough handling.

SAFE LIMITS OF OPERATION

Your Polk Audio Loudspeakers are constructed of the highest quality materials for years of trouble-free performance. However, damage to loudspeakers can occur when an amplifier, regardless of its wattage, is made to play at higher listening levels than its power can clearly produce. This is usually beyond the “noon or 1 o'clock” position on the volume control. Operation at this level can result in very high levels of audible distortion originating in the amplifier, which can add a harsh, gritty sound to your listening material. Contrary to popular belief, a speaker is more likely to be damaged by trying to get too much volume from a low-powered amplifier or receiver than from a high-powered one.

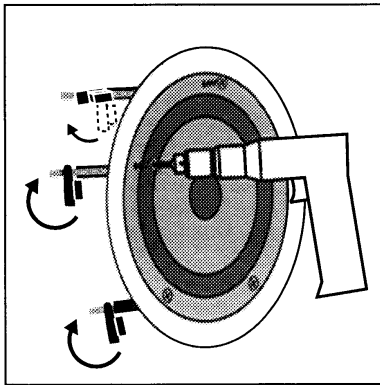


FIGURE 10

Tighten retaining wall clamps to engage wall. Use a #2 Phillips head screwdriver or a powered screwdriver.

Apriete las presas de retención de la pared para enganchar el altavoz a la pared. Use un destornillador Phillips No. 2 o un destornillador eléctrico.

Reserrez les attaches murales pour fixer solidement l'unité au mur. Utilisez un tournevis ou une perceuse à tête Phillips no 2.

Ziehen Sie die Wandklemmen fest, um das System an der Wand zu befestigen. Verwenden Sie dazu einen Kreuzschlitzschraubendreher (Nr. 2) oder einen Schraubendreher mit Motorantrieb.

TECHNICAL ASSISTANCE OR SERVICE

If, after following the hookup directions, you experience difficulty, please double-check all wire connections. Should you isolate the problem to the speaker, contact the authorized Polk Audio dealer where you made your purchase, or contact Polk Audio Customer Service 800-377-7655 (M-F, 9-6 EST, US only) or via email polkcs@polkaudio.com. Outside the US, call 410-358-3600.

More detailed information — including audio how-to articles, FAQs, and online manuals — is available on our award-winning website www.polkaudio.com.

SPECIFICATIONS

RC6s

Frequency Response	40Hz-20Khz
Recommended Power	20-100wrms
Impedance	Compatible with 8 Ohm amplifiers
Efficiency (dB 1w/1m)	89db
Drive Unit Complement	
Mid-Bass	1-6½" (16.5cm) mineral filled polypropylene cone, rubber suspension
Tweeter	2-¾" (1.9cm) soft dome
Cutout Dimensions	7⅞" (19.2cm)
Depth with ½" drywall	2⅝" (5.56cm)
Shipping Weight	4 LBS- 1.8 Kg

polkaudio
the speaker specialists®

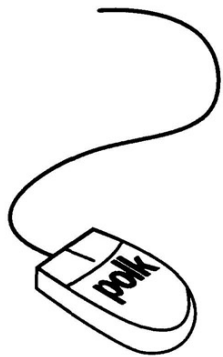
5601 METRO DRIVE,
BALTIMORE, MARYLAND 21215, USA,
800-377-7655, FAX: 410-764-5266
www.polkaudio.com



REGISTER **Online**

Model: RC6s

SERIAL # AW



It's faster...easier...and you get **COOL** stuff!

Register on-line to get:

- An entry into a **monthly drawing** for a **free** Polk subwoofer (home or car, your choice)
- The **peace of mind** that we have a record of your purchase to verify purchase date and warranty status.
- **Privacy.** The data we gather on our on-line registration is never sold or otherwise shared with anyone.
- **Free membership in Club Polk.** Club Polk members enjoy valuable services and benefits not available to the general public.
- A **free subscription** to Polk's newspaper *The Speaker Specialist*, to help you get better performance and more enjoyment from your audio system.



www.polkaudio.com/home/registration

Lifetime Warranty for Polk Audio In-Wall and In-Ceiling Speakers (For Products purchased after September 9, 2009)

- Polk Audio warrants to the original retail purchaser that Polk Audio branded in-wall and in-ceiling speakers, including passive CSW series subwoofers (collectively "product"), will be free from defects in materials and workmanship for the life of the product, under normal use and conditions.
- Should this product prove to be defective in material or workmanship, Polk will, at its option: repair the product, or (b) replace the product.
- If the product model is no longer available and cannot be repaired effectively, or replaced with an identical model, Polk may, at its sole and absolute discretion, replace the unit with a current model of equal or greater value.
- To obtain warranty service, you may refer to the instructions in your owner's manual or visit the Polk Audio website at www.polkaudio.com. You may also contact Polk Audio Customer Service at 1-800-377-7655 for instructions on where to send the product.

Lifetime Warranty for Polk Audio-Branded In-Wall and In-Ceiling Speakers (For Products purchased after September 9, 2009)

Polk Audio, Inc., ("Polk") warrants to the original retail purchaser that Polk Audio branded in-wall and in-ceiling speakers, including passive CSW series subwoofers (collectively "product"), will be free from defects in materials and workmanship for the life of the product, under normal use and conditions. Should this product prove to be defective in material or workmanship, Polk will, at its option, (a) repair the product, or (b) replace the product. If the product model is no longer available and cannot be repaired effectively, or replaced with an identical model, Polk may, at its sole and absolute option, replace the unit with a current model of equal or greater value.

To obtain warranty service, you may refer to the instructions in your owner's manual or visit the Polk Audio website at www.polkaudio.com. You may also contact Polk Audio Customer Service at 1-800-377-7655 for instructions on where to send the product. You will be required to provide an original receipt or bill of sale, identifying you as the original purchaser and identifying the purchase made through an authorized Polk retailer. You will need to ship the product, prepaid and insured, together with the proof of purchase to Polk Audio, Inc. 1 Viper Way, Vista, CA 92081. Risk of loss or damage in transit shall be borne by the purchaser. Freight collect shipments will be refused.

This warranty is non-transferable and does not apply to any product that has been modified or used in a manner contrary to its intended purpose, and does not cover damage to the product caused by installation or removal of the product. If modification(s) to a mounting surface are made to product(s) that have been substituted under warranty, Polk assumes no responsibility or liability for any modification made to the mounting surface or otherwise. This limited warranty is void if the product has an altered or missing serial number, or if the product was purchased from someone other than an authorized dealer. This limited warranty is void if the product has been damaged by accident or unreasonable use, neglect, improper service or other causes not arising out of defects in material or construction. Product(s) which are found to be damaged by abuse resulting in thermally damaged voice coils are not covered by this warranty but may be replaced at the sole and absolute discretion of Polk. This warranty terminates if you sell or otherwise transfer the product to another party. This limited warranty does not cover cosmetic damage, paint damage, damage to other components, parts or premises, or any consequential damages which may result for any reason. This limited warranty does not cover labor costs for the removal and/or reinstallation of the product.

THIS WARRANTY GIVES YOU SPECIFIC LEGAL RIGHTS AND YOU MAY HAVE OTHER RIGHTS THAT VARY FROM STATE TO STATE. ALL WARRANTIES, INCLUDING BUT NOT LIMITED TO EXPRESS WARRANTY, IMPLIED WARRANTIES OF MERCHANTABILITY AND FITNESS FOR A PARTICULAR PURPOSE ARE EXPRESSLY EXCLUDED AND DISCLAIMED TO THE MAXIMUM EXTENT ALLOWED BY LAW, AND POLK NEITHER ASSUMES NOR AUTHORIZES ANY PERSON

TO ASSUME FOR IT ANY LIABILITY IN CONNECTION WITH THE SALE OF THE PRODUCT. POLK HAS ABSOLUTELY NO LIABILITY FOR ANY ACTS OF THIRD PARTIES. SOME STATES DO NOT ALLOW THE EXCLUSION OF CERTAIN IMPLIED WARRANTIES, OR CONDITIONS ON AN IMPLIED WARRANTY, SO THE ABOVE LIMITATION MAY NOT APPLY TO YOU. POLK DOES NOT ACCEPT LIABILITY FOR SPECIAL, INDIRECT, INCIDENTAL, PUNITIVE OR CONSEQUENTIAL DAMAGES, LOST PROFITS, LOST SAVINGS OR DAMAGES RESULTING FROM IMPROPER USE, OR THE INABILITY TO USE THE PRODUCT. THE MAXIMUM LIABILITY FOR WHICH POLK MAY BE RESPONSIBLE SHALL NOT EXCEED THE PURCHASE PRICE OF THE PRODUCT. SOME STATES DO NOT ALLOW THE EXCLUSION OR LIMITATION OF INCIDENTAL OR CONSEQUENTIAL DAMAGES, SO THE ABOVE LIMITATION OR EXCLUSIONS MAY NOT APPLY TO YOU.