



# Quam

## SYSTEM 12 25V/70.7V Pig-Tail Lead

## SYSTEM 12/VC\*

### 25V/70.7V Pig-Tail Lead, Volume Control

## SYSTEM 12/25RS

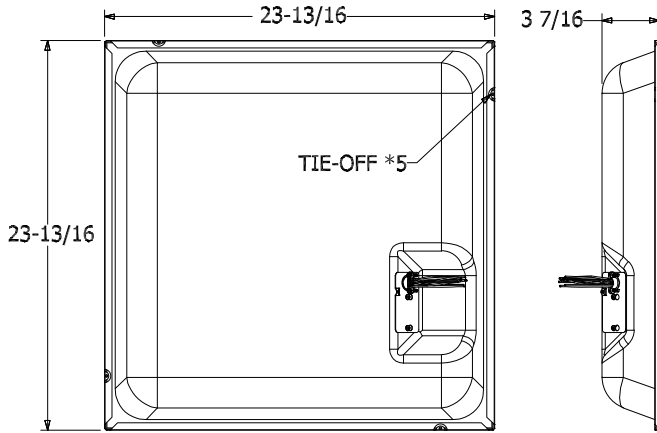
### 25V Rotary Select Tap

## SYSTEM 12/70RS

### 70.7V Rotary Select Tap

### 0104.5 - LAY-IN CEILING MOUNT (TILE REPLACEMENT)

# 01



SYSTEM 12 Shown



LOUDSPEAKER ASSEMBLIES

#### GENERAL DESCRIPTION

The QUAM SYSTEM 12/xxxx/x is a complete loudspeaker assembly with a 8" O.D. full range speaker, multiple transformer options, perforated steel baffle, and integral molded fiber enclosure. Finish: Baked epoxy hybrid.

#### INTENDED USE

Indoor environment, mounted parallel to floor plane in a 24" wide suspended ceiling tile grid.  
Program Material: Signal tones, voice and music.

#### UL Listed 1480- ( UEAY, UEAY7-Canada )

As a General Signaling Device: when installed in accordance with supplied installation instructions, requirements of NEC and AHJ.

**CITY of CHICAGO\*APPROVED-** Material and construction permits use where ceiling plenum is part of the air handling system.

#### SYSTEM COMPONENTS:

Loudspeaker	8C5PAX
<b>Transformers</b>	
SYSTEM 12	5W*, 25V/70.7V pig-tail (TBLU)
SYSTEM12/VC ( Not UL Listed )	5W*, 25V/70.7V pig-tail, with Volume Control (TBLU)
SYSTEM 12/25RS	4W**, 25V Rotary select (TBL25)
SYSTEM 12/70RS	4W**70.7V Rotary select (TBL70)

\*5W, 2.5W, 1.25W, 0.63W, 0.31W  
\*\*4W, 2W, 1W, 0.5W, 0.25W

#### FINISH OPTIONS

White	Order as SYSTEM12/xxxx
Black	Order as SYSTEM12/xxxx/B

#### AUDIO SPECIFICATIONS:

Average Sensitivity	92 dB-SPL, 1W/ 1M
Loudspeaker Power Rating	12W RMS, EIA 426A Standard
Calculated Maximum System Output	5W pig-tail xfm, 99 dB-SPL, 5W / 1M 4W Rotary tap xfm, 98 dB-SPL, 4W / 1M
Magnet Type, Weight	BeFe Ceramic, 4.8 oz. Nominal
Frequency Response	65Hz - 17 kHz EIA 426A Standard
Nominal Coverage Angle	100° Included angle, -6dB 2 kHz, half space
Audio Connection	7" long, labeled tinned wires, pre-cut

Recommended construction sequences, installation instructions, A&E Guide Specifications, **EASE .GLL / .CF2 files**, are available on the web at:

[www.QuamSpeakers.com/support-pages/ae-resources.shtml](http://www.QuamSpeakers.com/support-pages/ae-resources.shtml)

#### Quam-Nichols Company

234 East Marquette Road, Chicago, IL 60637  
Phone: (800) NEED NOW Fax: (888) NEED NOW  
(800) 633 - 3669 (888) 633 - 3669  
E-Mail: neednow@qnc.com www.quamspeakers.com

© 2012 Quam-Nichols Company Quam-Nichols reserves the right to make changes and/or improvements to its products at any time and without notice.



SIGNALING



LISTED  
TYPE G  
91H1



TSYSTEM12\_12JA06

**(1' x 2') SYSTEM 5 – includes 8-Ohm and /xxRS versions**

**(2' x 2') SYSTEM 12 – includes 8-Ohm and /xxRS versions**

**INTENDED USE:**

All versions: Indoor environment, mounted parallel to floor plane in a 24" wide, suspended ceiling tile grid; mount height 18' or less above floor plane.

Program material: Signal tones, voice and music.



**UL Listed 1480**

**City of Chicago \* Approved**

"Material and construction permits use where ceiling plenum is part of the air handling system"

**Type G– General Signaling**

**1. Cut ceiling tile as required:**

**1' x 2' FORMAT LOUDSPEAKER**

- 2' x 2' tile – Cut tile in half along one axis.
- 2' x 4' tile – Cut 12" from edge along 2' axis and discard smaller piece.

**2' x 2' FORMAT LOUDSPEAKER**

- 2' x 2' tile – No cutting required.
- 2' x 4' tile – Cut tile in half along 2' axis.

**! Steps 2-3** – Required only if using conduit clamp fitting *other than what is provided* with product.

**2. Loosen, but do not remove screws** on cover plate; push up and remove plate from assembly.

**3. Remove cable /conduit clamp fitting from plate;** Install UL Listed metallic enclosure entry fitting for plenum cable or flex whip.

**4. Feed supply cable through whip to connector.** Make connections per wiring diagrams below; insulate all unused taps from each other, the enclosure and electrical ground.

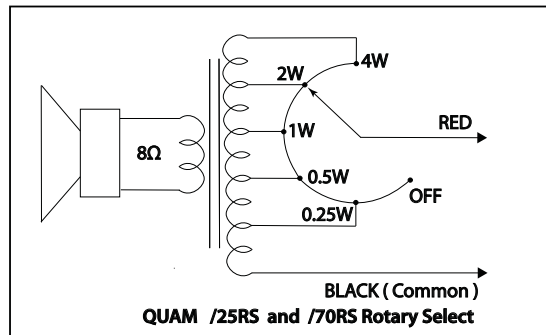
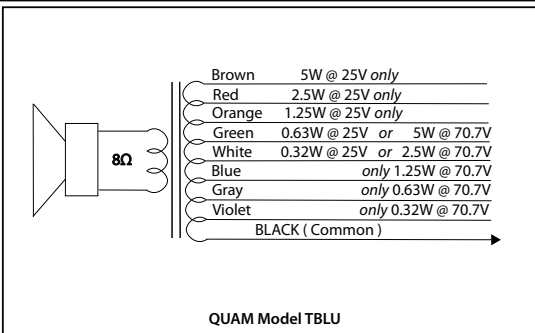
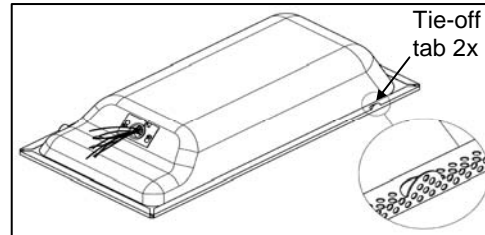
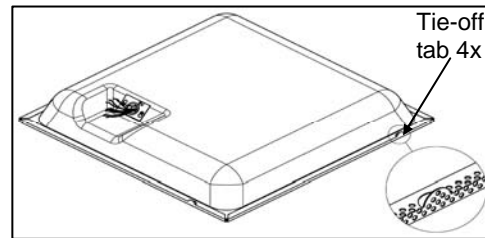
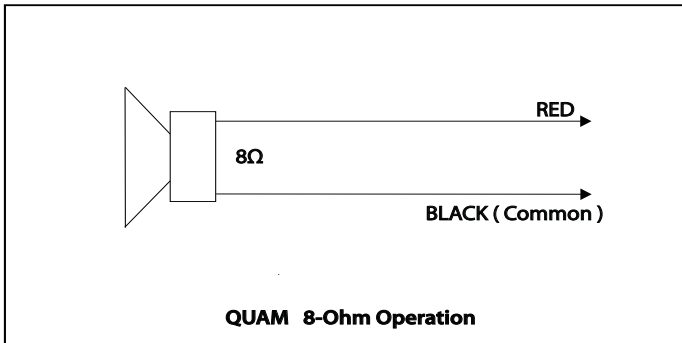
When cover plate is secured, all connections / splices and unused leads must be inside of the enclosure.

**5. Place assembly onto ceiling grid,** install 24" T-bar trim piece where required (furnished only with specific 1'x2' formats).

**NOTE! AHJ/ local codes may require tie-off to structure.** Bend up tie-off tabs as shown in illustration and install as directed.

**NOTE! AHJ/ local codes may require tie-down to grid.** Recommended fasteners; *not supplied.* Erico/Caddy part ATA4i and 1/4"-20 x 2" bolt, or equivalent. Install as directed.

**6. Place remaining ceiling tile** into opening as required.



234 East Marquette Road, Chicago, IL 60637  
 Phone: (800) NEED NOW Fax: (888) NEED NOW  
 (800) 633 - 3669 (888) 633 - 3669  
 E-Mail: neednow@qnc.com www.quamspeakers.com



**(1' x 2') SYSTEM 5/VC, SYSTEM 14, SYSTEM 16, – includes 8-Ohm and xx/RS versions**  
**(2' x 2') SYSTEM 12/VC, SYSTEM 15, SYSTEM 17 – includes 8-Ohm and xx/RS versions**

**INTENDED USE:**

All versions: Indoor environment, mounted parallel to floor plane in a 24" wide, suspended ceiling tile grid; mount height 18' or less above floor plane.

Program material: Signal tones, voice and music.

**1. Cut ceiling tile as required:**

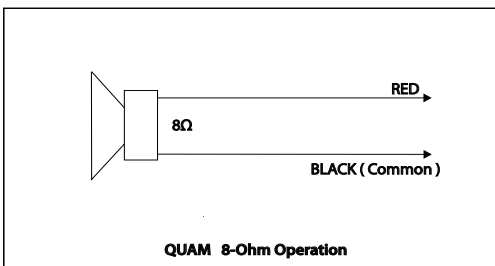
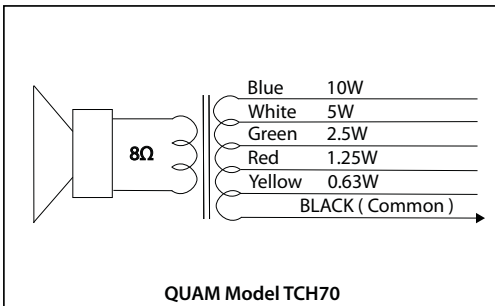
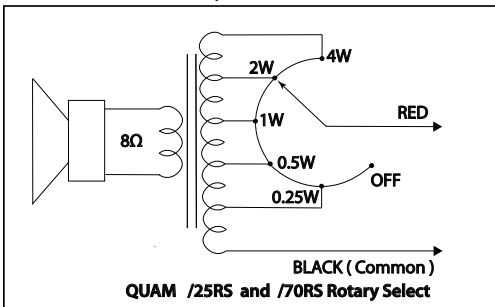
- 1' x 2' **FORMAT LOUDSPEAKER**
  - 2' x 2' tile – Cut tile in half along one axis.
  - 2' x 4' tile – Cut 12" from edge along 2' axis and discard smaller piece.

- 2' x 2' **FORMAT LOUDSPEAKER**
  - 2' x 2' tile – No cutting required.
  - 2' x 4' tile – Cut tile in half along 2' axis.

**!** **Steps 2-3** – Required only if using conduit clamp fitting *other than what is provided* with product.

**2. Loosen, but do not remove screws** on cover plate; push up and remove plate from assembly.

**3. Remove cable /conduit clamp fitting from plate;** Install UL Listed metallic enclosure entry fitting for plenum cable or flex whip.



**4. Feed supply cable through whip to connector.**

Make connections per wiring diagrams below; insulate all unused taps from each other, the enclosure and electrical ground.

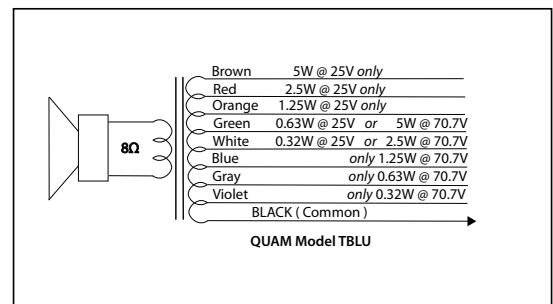
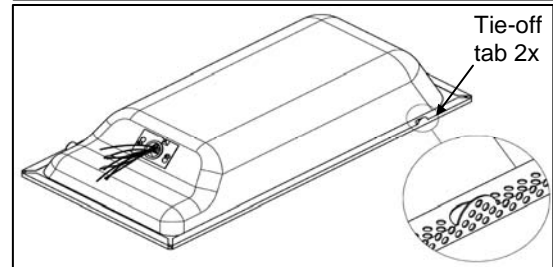
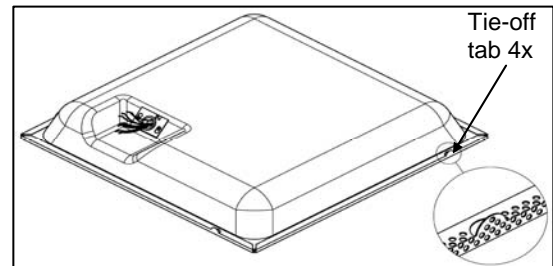
When cover plate is secured, all connections / splices and unused leads must be inside of the enclosure.

**5. Place assembly onto ceiling grid,** install 24" T-bar trim piece where required (furnished only with specific 1'x2' formats).

**NOTE! AHJ/ local codes may require tie-off to structure.** Bend up tie-off tabs as shown in illustration and install as directed.

**NOTE! AHJ/ local codes may require tie-down to grid.** Recommended fasteners; *not supplied*: Erico/Caddy part ATA4i and 1/4"-20 x 2" bolt, or equivalent. Install as directed.

**6. Place remaining ceiling tile** into opening as required.



234 East Marquette Road, Chicago, IL 60637  
 Phone: (800) NEED NOW Fax: (888) NEED NOW  
 (800) 633 - 3669 (888) 633 - 3669  
 E-Mail: neednow@qnc.com www.quamspeakers.com

