

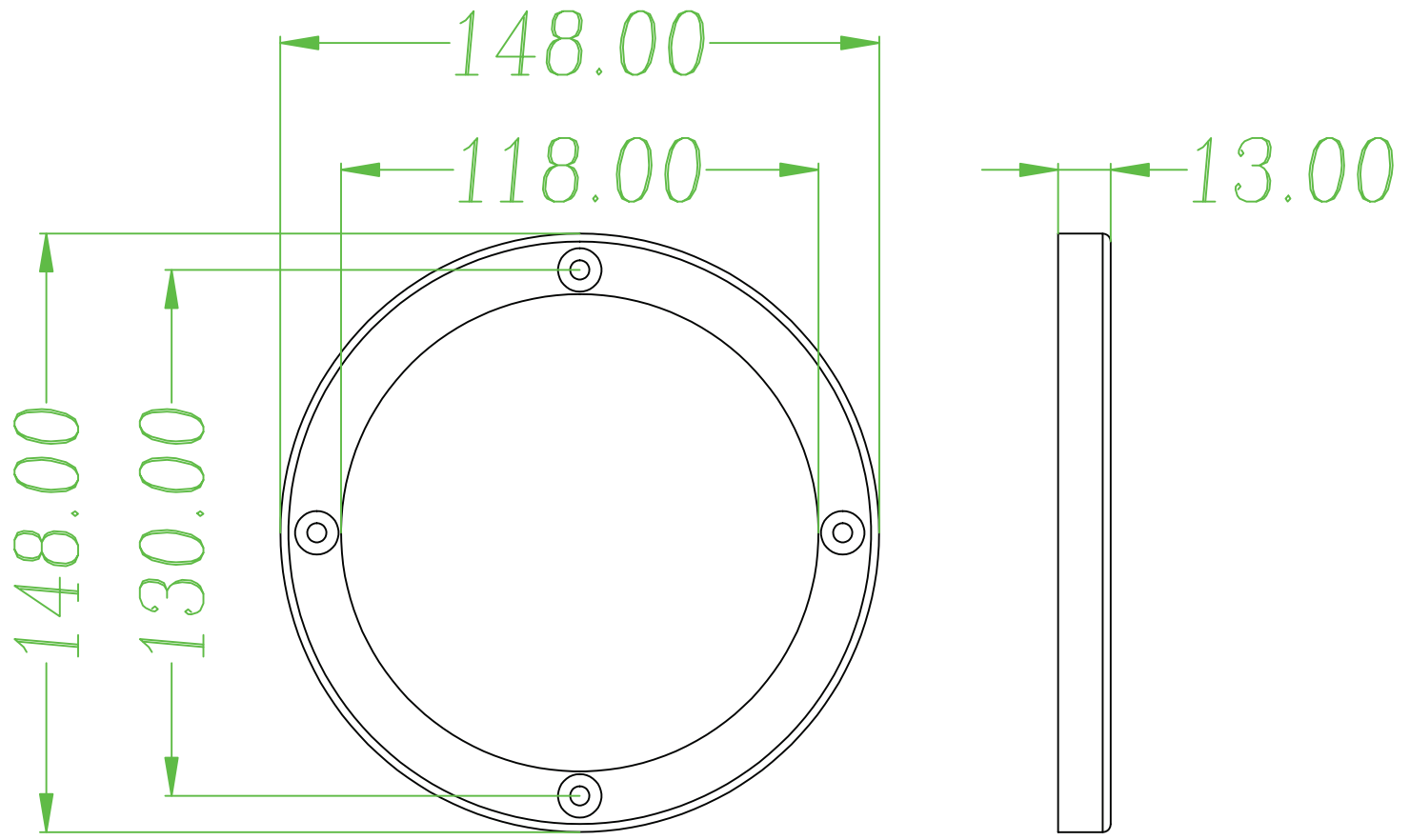




RevNo	Revision note	Date	Signature	Checked	Approved	Designed by	Checked by	Approved by	Date	Scale	 	Edition
1:						AH	CP	BM	2/2022	None		
2:						Part: 260-420					Unit	
3:						Name: Steel Mesh 2-Piece Grill for 5-1/4" Speaker Black					mm	
4:											Sheet	
											1 of 2	



RevNo	Revision note	Date	Signature	Checked	Approved	Designed by	Checked by	Approved by	Date	Scale	 	Edition
1:						AH	CP	BM	2/2022	None		A
2:						Part: 260-420					Unit	
3:						Name: Steel Mesh 2-Piece Grill for 5-1/4" Speaker Black					mm	
4:											Sheet	
											2 of 2	