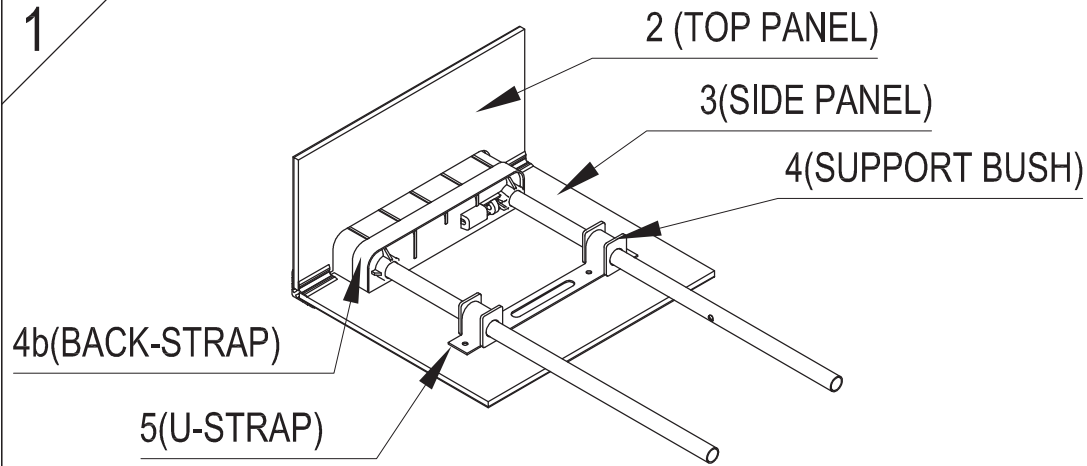


1



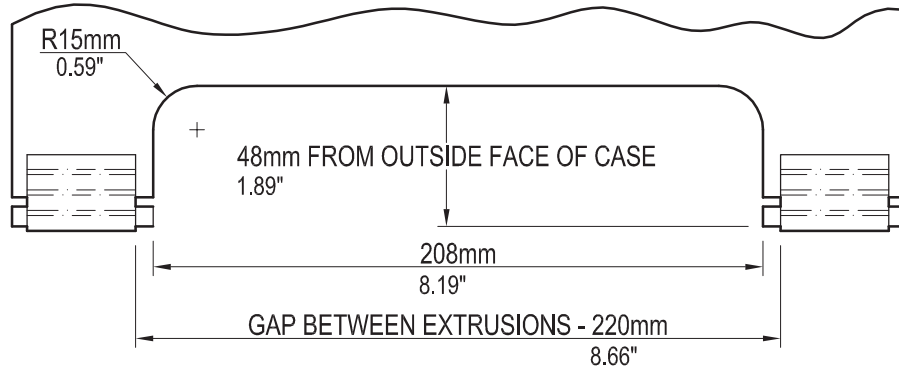
penn ELCOM[®]

H2000 & H2017 INSTALLATION GUIDE

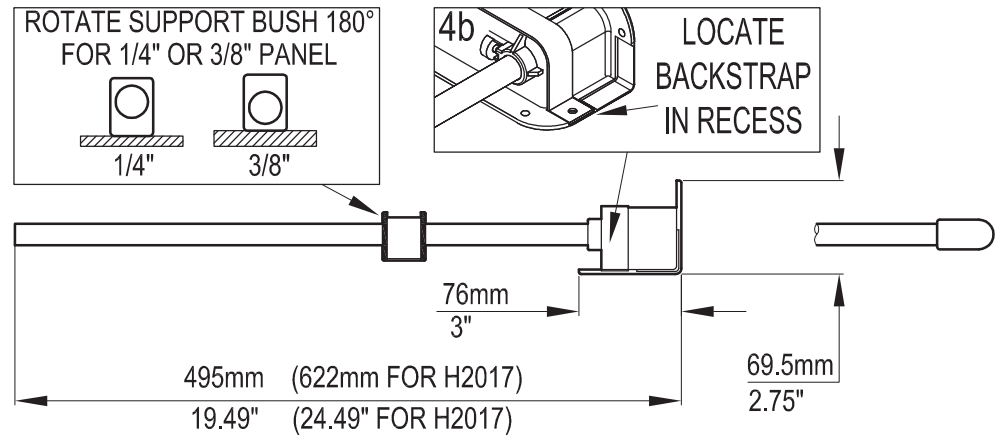
WARNING: Proper handle installation is critical to the proper working use. Not following these instructions can lead to loss of performance or even failure.

2

TOP PANEL CUT-OUT

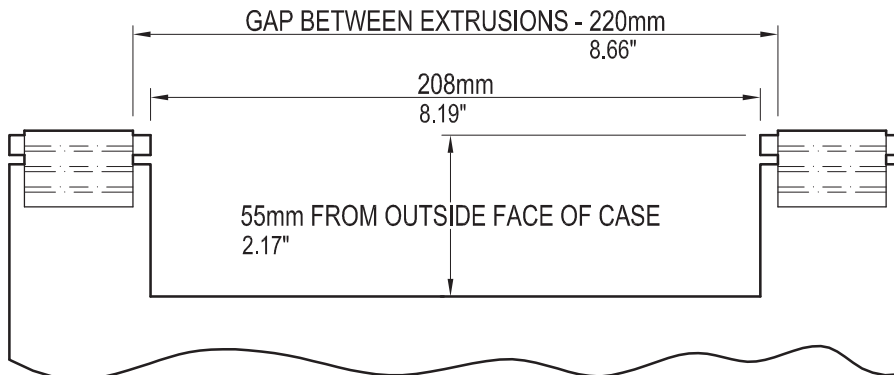


4

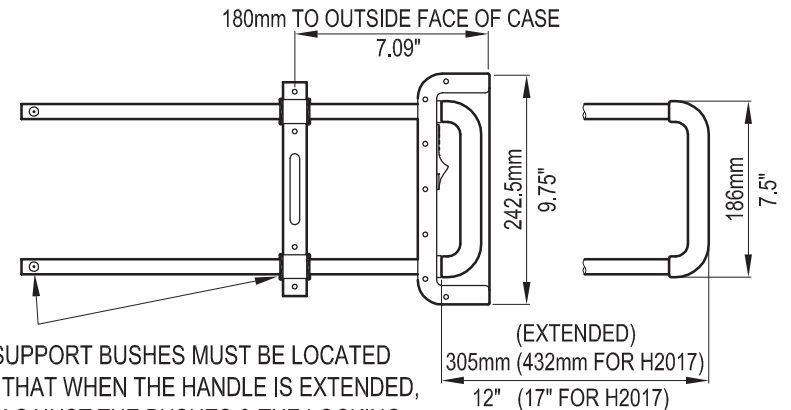


3

SIDE PANEL CUT-OUT



5



IMPORTANT:
THE U-STRAP & SUPPORT BUSHES MUST BE LOCATED CORRECTLY. SO THAT WHEN THE HANDLE IS EXTENDED, THE STOPS ARE AGAINST THE BUSHES & THE LOCKING PIN LOCATES IN TO THE LOWER HOLE.

FIXING HOLES Ø5.2mm/0.204"