

Features:

- Plastic bi-radial horn.
- Compact size.
- 25 mm (1") throat.
- 60°(H) x 40°(V) nominal coverage.
- Stage monitors, side-fill and P.A. Applications.

SPECIFICATIONS

Nominal coverage	
Horizontal	60 degrees
Vertical	40 degrees
Directivity	
Directivity factor (Q)	18
Directivity index (Di)	13 dB
Sensitivity	
On driver, 1W @ 1m, on axis ¹	105 dB SPL
Frequency response @ -10 dB ²	1,500 to 20,000 Hz
Throat diameter	25 (1) mm (in)
Minimum recommended crossover ³	1,500 Hz

¹ Measured with DH200E driver, 1,500 - 8,000 Hz average.

² Measured with DH200E driver.

³ With DH200E driver.

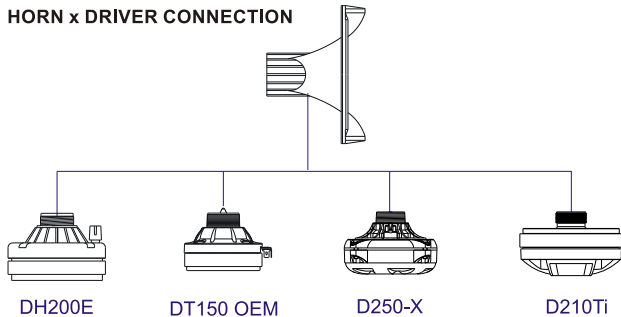
ADDITIONAL INFORMATION

Horn material	PP plastic
Horn finish	Black
Overall dimensions	
Mouth height	145 (5.71) mm (in)
Mouth width	160 (6.30) mm (in)
Length	103 (4.06) mm (in)
Volume displaced by horn	0.2 (0.007) l (ft ³)
Net weight (1 piece)	150 (0.33) g (lb)
Gross weight (6 pieces per carton)	1,280 (2.82) g (lb)
Carton dimensions (W x D x H)	31 x 23 x 19 (12.2 x 9.1 x 7.5) cm (in)

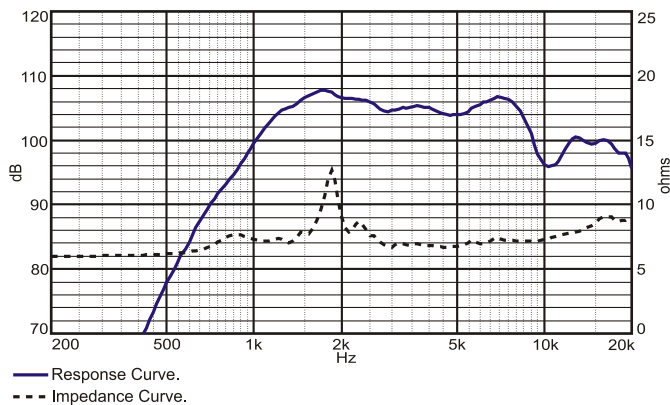
MOUNTING INFORMATION

Mechanical connection of driver	Screw-on 1 ³ / ₈ " - 18 TPI
Baffle cutout dimensions (front mount)	
Horizontal	115 (4.53) mm (in)
Vertical	115 (4.53) mm (in)

HORN x DRIVER CONNECTION



RESPONSE AND IMPEDANCE CURVES W/ DH200E DRIVER INSIDE AN ANECHOIC CHAMBER, 1 W / 1 m



HM 17-25 BLACK

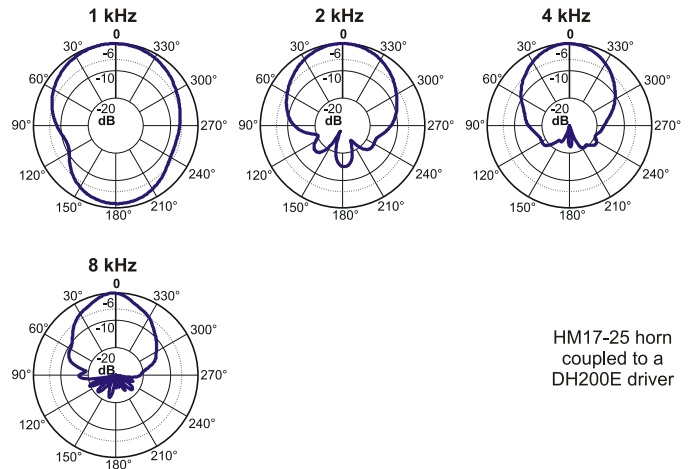


HM 17-25 SILVER

HM 17-25 ONIX

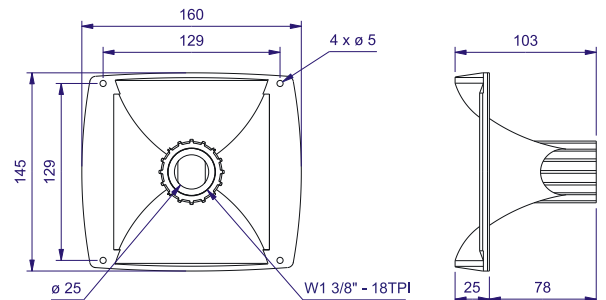


POLAR RESPONSE CURVE



HM17-25 horn coupled to a DH200E driver

— Polar Response Curve, Horizontal.



Dimensions in mm.

Specifications subject to change without prior notice.

Cod.: NA Rev.: 00 - 11/05

ELETRÔNICA SELENIUM S.A.
BR 386 Km 435 - Nova Santa Rita/RS - Brasil - CEP 92480-000
Tel.: 51. 3479 4000 Fax: 51. 3479 1150
www.selenium.com.br
Atendimento Técnico: 0800 514161

SELENIUM USA / SELENIUM EUROPE
www.seleniumloudspeakers.com
Toll Free: 1800 5620510