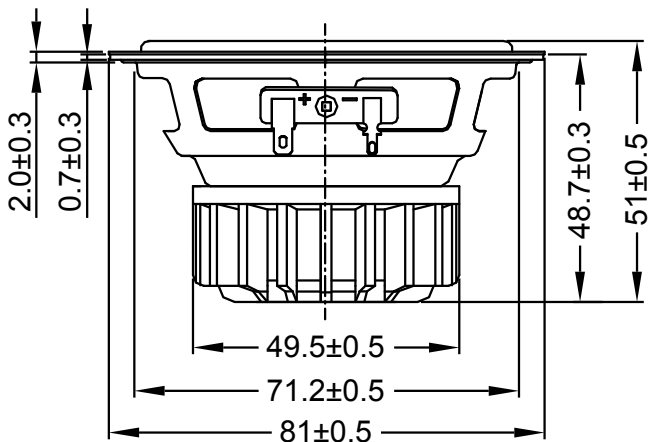
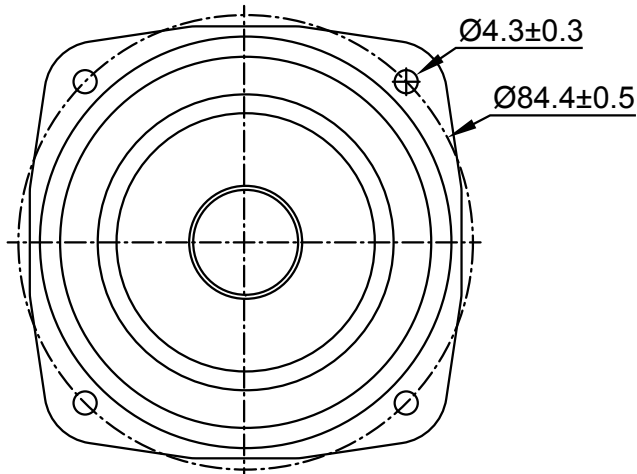




# 3" Full Range Driver

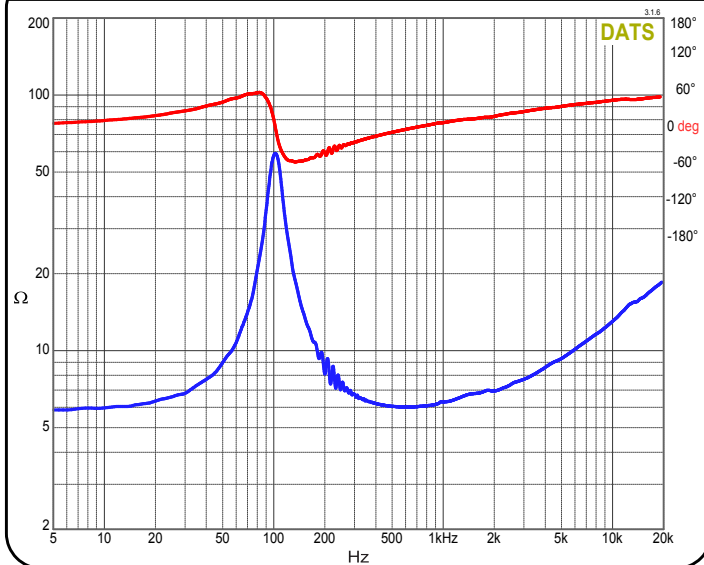
## DW3-1053SC



### PARAMETERS

Impedance	8 ohms
Re	5.8 ohms
Le	0.14 mH
Fs	102 Hz
Qms	5.72
Qes	0.62
Qts	0.56
Mms	2.4g
Cms	1.01 mm/N
Sd	29.8 cm <sup>2</sup>
Vd	4.47 cm <sup>3</sup>
BL	3.8 Tm
Vas	1.28 liters
Xmax	1.5 mm
VC Diameter	22 mm
SPL	86.8 dB @ 2.83V/1m
RMS Power Handling (AES 426B)	15 watts
Usable Frequency Range (Hz)	70 - 16,000 Hz

### IMPEDANCE/PHASE



### FEATURES

- Smooth, extended response
- Steel frame and neodymium motor
- Poly cone with rubber half-roll edge
- Underhung 7/8" VC provides exceptional linearity and low distortion

### FREQUENCY RESPONSE

