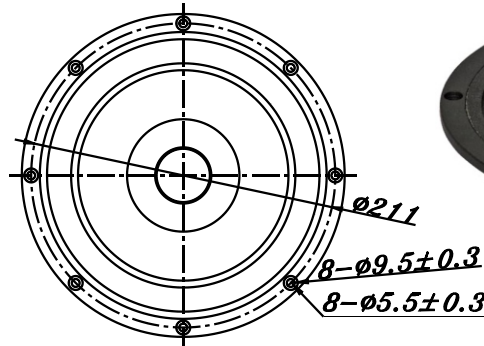
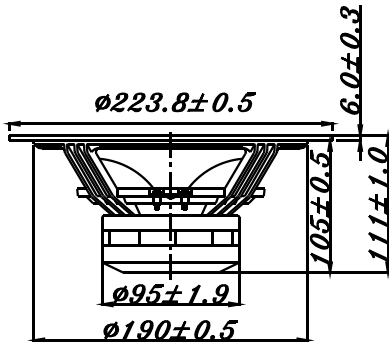


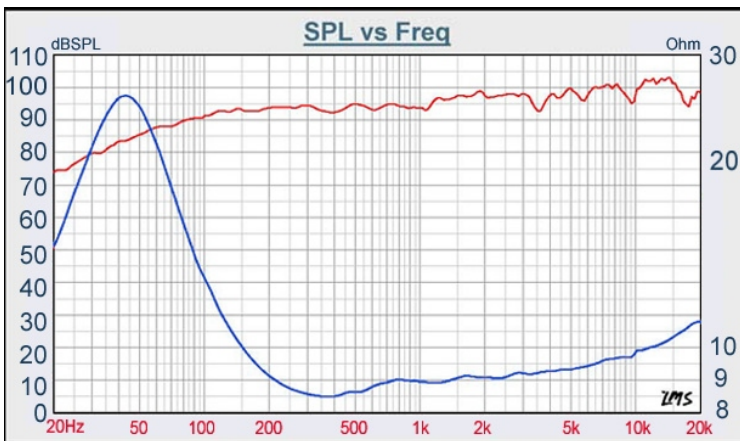
F SERIES

W8-1772



- 8" OF FULL RANGE SPEAKER DESIGN
- NEODYMIUM MAGNET SYSTEM, ALUMINUM PHASE PLUG
- UNDERHUNG DESIGN, VERY LOW 2nd AND 3rd DISTORTION (LOW THD)
- SPL=95dB / M / W, QTS=0.27
- PAPER CONE WITH FABRIC SURROUND

8" PAPER FULL RANGE



DIAPHRAGM MTL	Paper
SURROUND MTL	Fabric
NOMINAL IMPEDANCE	8 Ω
DCR IMPEDANCE	6.8 Ω
SENSITIVITY 1W/1M	95 dB
FREQUENCY RESPONSE	42 -20K Hz
FREE AIR RESONANCE	42 Hz
VOICE COIL DIAMETER	38.5 mm
AIR GAP HEIGHT	10 mm
RATED POWER INPUT	30 W
MAXIMUM POWER INPUT	60 W
FORCE FACTOR, BL	7.12 TM
MAGNET WEIGHT (oz)	Neodymium
MOVING MASS	10.11 g
FERROFLUID ENHANCED	No
SUSPENSION COMPLIANCE	1374 μMN ⁻¹
EFFECTIVE PISTON AREA	0.022 M ²
Levc	0.009 mH
Zo	26 ohm
Xmax	3 mm
Vas	94.45 Litr
Qts	0.27
Qms	1.02
Qes	0.36



VOICE:886.2.26570282 FAX:886.2.26580166
E-MAIL :info@tb-speaker.com