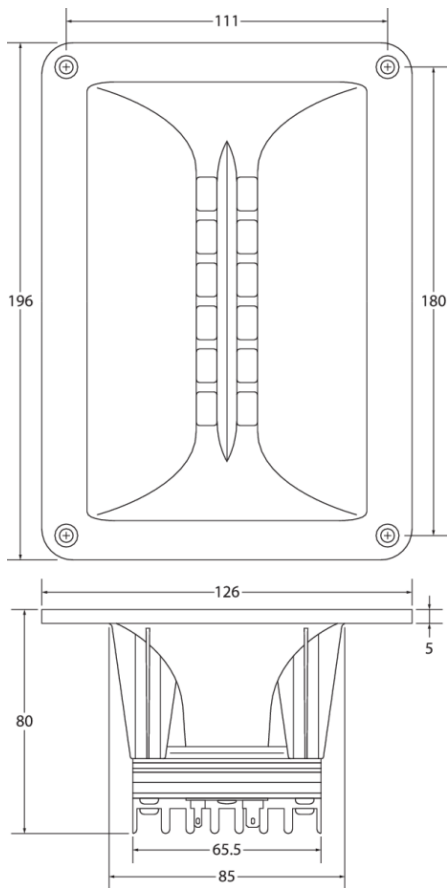




PHT1-6 Planar Horn Tweeter 6 Ohm

PHT1-6



PARAMETERS

| | |
|-----------------------------|-------------------|
| Impedance | 6 ohms |
| Re | 5.77 ohms |
| Le | 0.17 mH |
| Fs | N/A |
| Qms | N/A |
| Qes | N/A |
| Qts | N/A |
| Mms | N/A |
| Cms | N/A |
| Sd | N/A |
| Vd | N/A |
| BL | N/A |
| Vas | N/A |
| Xmax | N/A |
| VC Diameter | N/A |
| SPL | 105 dB @ 2.83V/1m |
| RMS Power Handling | 80 watts |
| Usable Frequency Range (Hz) | 2,500 - 18,000 Hz |

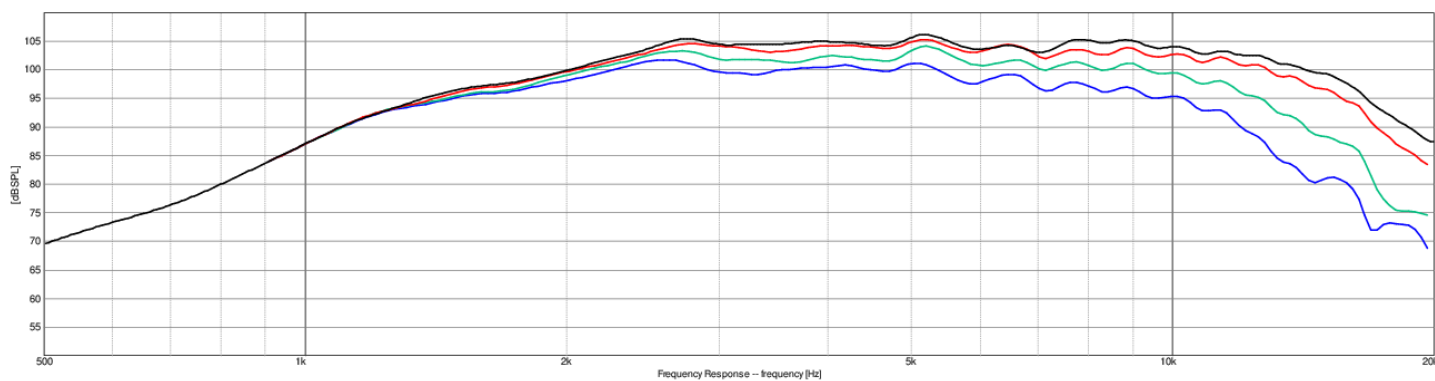
IMPEDANCE/PHASE



FEATURES

- Low-compression planar horn design
- Detailed, non-fatiguing reproduction
- Rugged, reinforced injection-molded horn flare
- Controlled, 60 degree horizontal dispersion
- High 80-watt RMS power handling

FREQUENCY RESPONSE



Note: 1/24th octave smoothing - nearfield response included in graph below 450 Hz.

Black = 0°
Red = 15°
Green = 30°
Blue = 45°