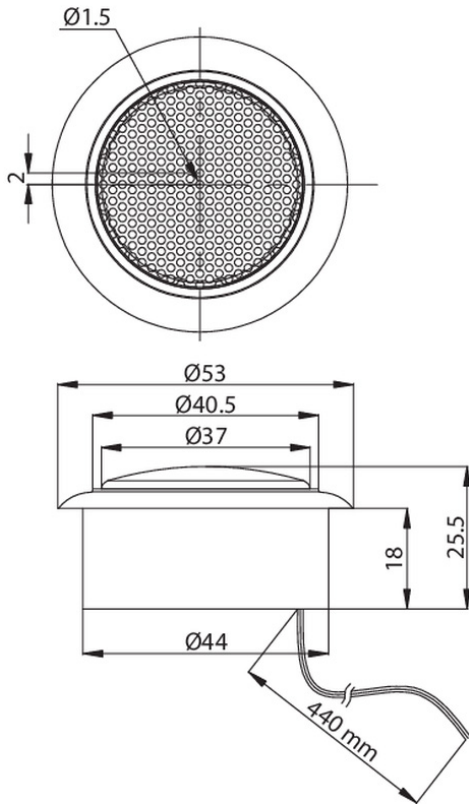
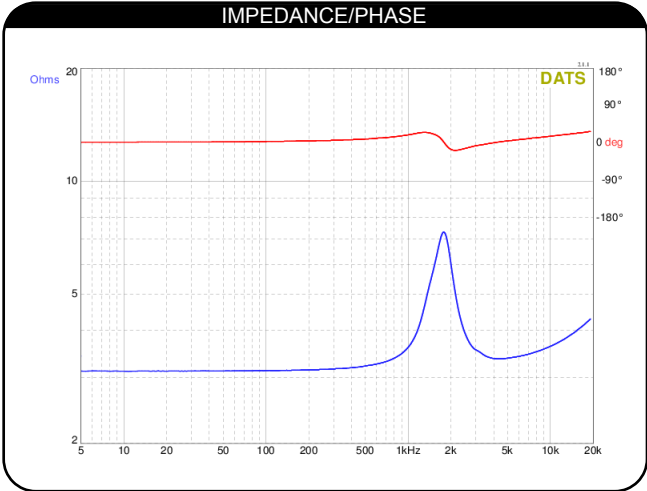




AN25Ti-4 1" Titanium Dome Neodymium Car Audio Tweeter
Pair 4 Ohm



| PARAMETERS | |
|-----------------------------|-------------------|
| Impedance | 4 ohms |
| Re | 3.11 ohms |
| Le | 0.03 mH |
| Fs | 1744 Hz |
| Qms | 3.04 |
| Qes | 2.28 |
| Qts | 1.30 |
| Mms | N/A |
| Cms | N/A |
| Sd | N/A |
| Vd | N/A |
| BL | N/A |
| Vas | N/A |
| Xmax | N/A |
| VC Diameter | 25.4 mm |
| SPL | 95.5 dB 2.83V/1m |
| RMS Power Handling | 40 watts |
| Usable Frequency Range (Hz) | 3,000 - 20,000 Hz |



- FEATURES**
- Exceptionally flat treble response for accurate high frequency reproduction
 - High-strength neodymium motor provides low distortion and compact size
 - Ultra-high sensitivity of 95 dB to deliver high output with modest power
 - 1" titanium diaphragm for incredibly accuracy and great off-axis response
 - 1" diameter voice coil for excellent power handling
 - All hardware included to permit flush or surface mounting

