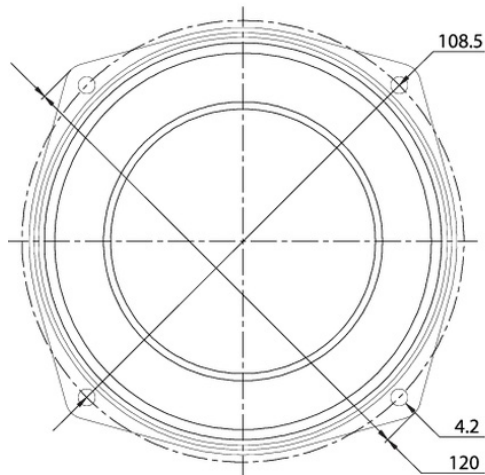
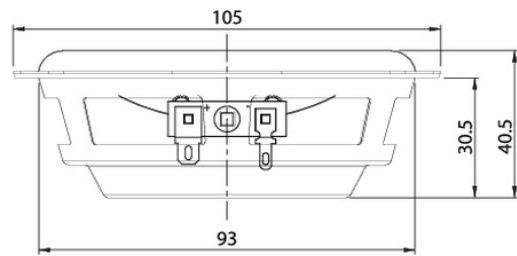




ND105-PR 4" Aluminum Cone Passive Radiator

ND105-PR



FEATURES

- Rigid black anodized aluminum alloy cone
- High excursion capability: 12 mm peak to peak
- Same "family look" as ND Series woofers
- Adjustable mass for a vast range of tuning frequencies

Default Parameters (driver only)

Fs	51.5 Hz
Qms	5.93
Mms	13.9g
Cms	0.68 mm/N
Sd	51.5 cm ²
Vd	N/A
Vas	2.6 liters
Xmax	6 mm
Rms	0.76 kg/s

Note: Parameters above are for the passive only with no additional mass added.