



RSB901-1
REPLACEMENT
SPEAKER DRIVER
FOR BOSE 901 4-1/2"
1 OHM

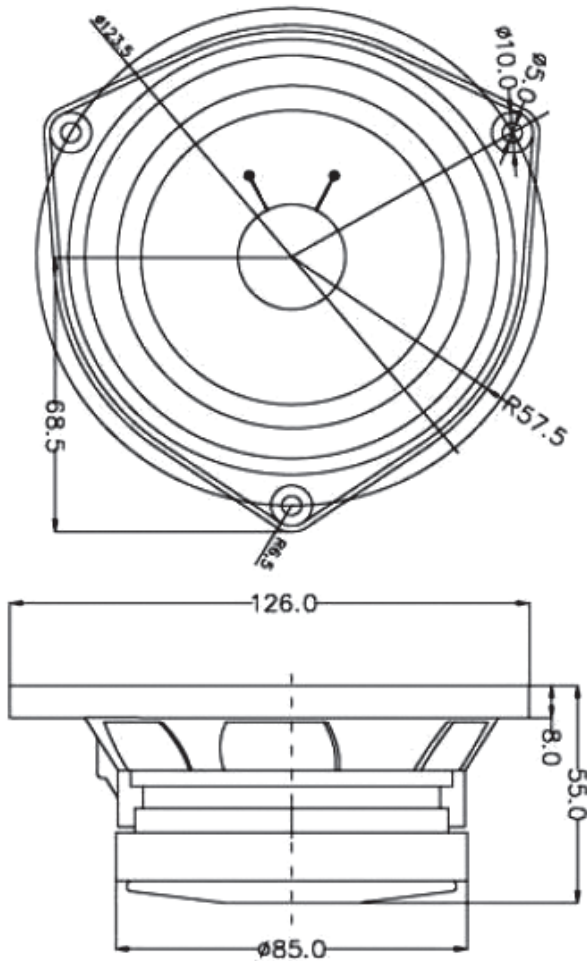
FEATURES

- Drop-in replacement for Bose 901 drivers
- Each individual driver is hand checked and tested
- Fits Series III, IV, V and VI models, and more
- Optimized cone/coil/suspension for linearity and reliability

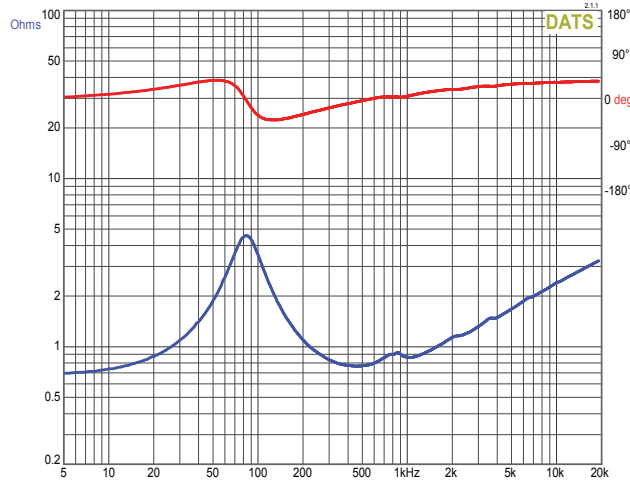
PARAMETERS

Impedance	1 ohm
Re	0.70 ohms
Le	0.08 mH
Fs	84.1 Hz
Qms	2.41
Qes	0.43
Qts	0.37
Mms	4.27 g
Cms	0.84 mm/N
Sd	75.6 cm ²
Vd	19 cm ³
BL	1.91 Tm
Vas	6.80 liters
Xmax	2.5 mm
VC Diameter	25.4 mm
SPL	102.3 dB @ 2.83V/1m
RMS Power Handling (AES 426B)	30 watts
Usable Frequency Range (Hz)	83 - 15,000 Hz

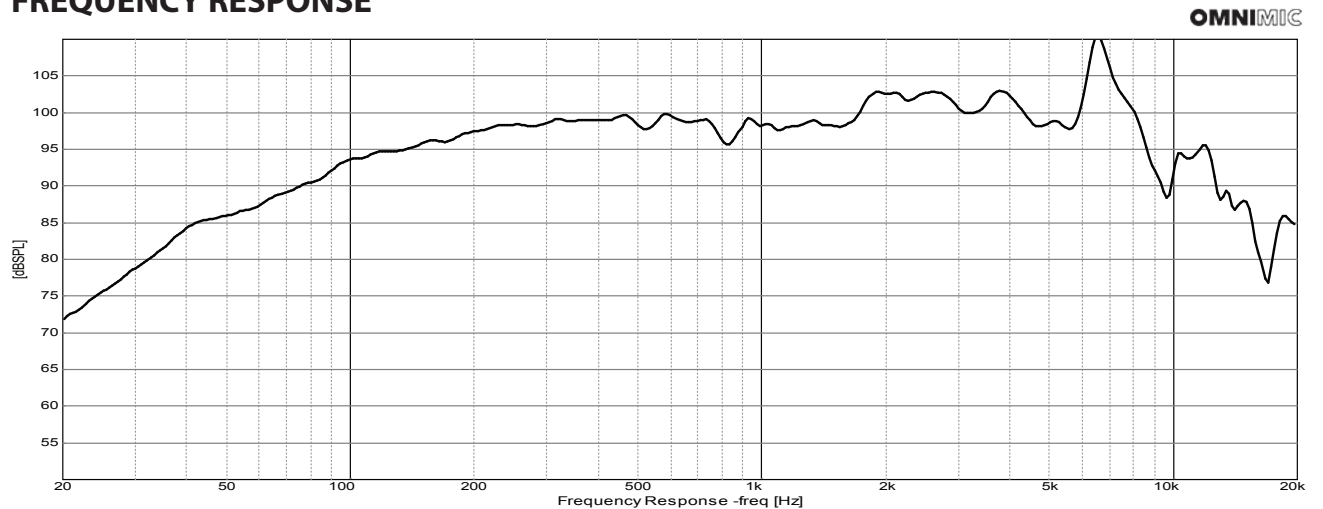
MECHANICAL DRAWING



IMPEDANCE/PHASE



FREQUENCY RESPONSE



Note: 1/24th octave smoothing - nearfield response included in graph below 450 Hz.