

ToneSpeak™

Model # Detroit 820 Part # 86064
8" Guitar Speaker, 20 Watt, 4 Ohm



Key Features

- American tone guitar speaker
- 8" (203 mm) steel basket diameter
- 20 watts, 4 ohm, 94 dB SPL
- 1" copper voice coil, Kraft paper former
- 10 oz. ferrite magnet
- USA-made hemp cone

Primary Specifications

Size, Nominal (inch & mm)	8" (203 mm)
Nominal Impedance (Z) (Ω)	4
Rated Power IEC268-5 (W)	20
Sensitivity (dB SPL) ¹ (@1W/1 m)	94
Frequency range (Hz)	80 – 10,000
Resonant Frequency (Fs) (Hz)	139

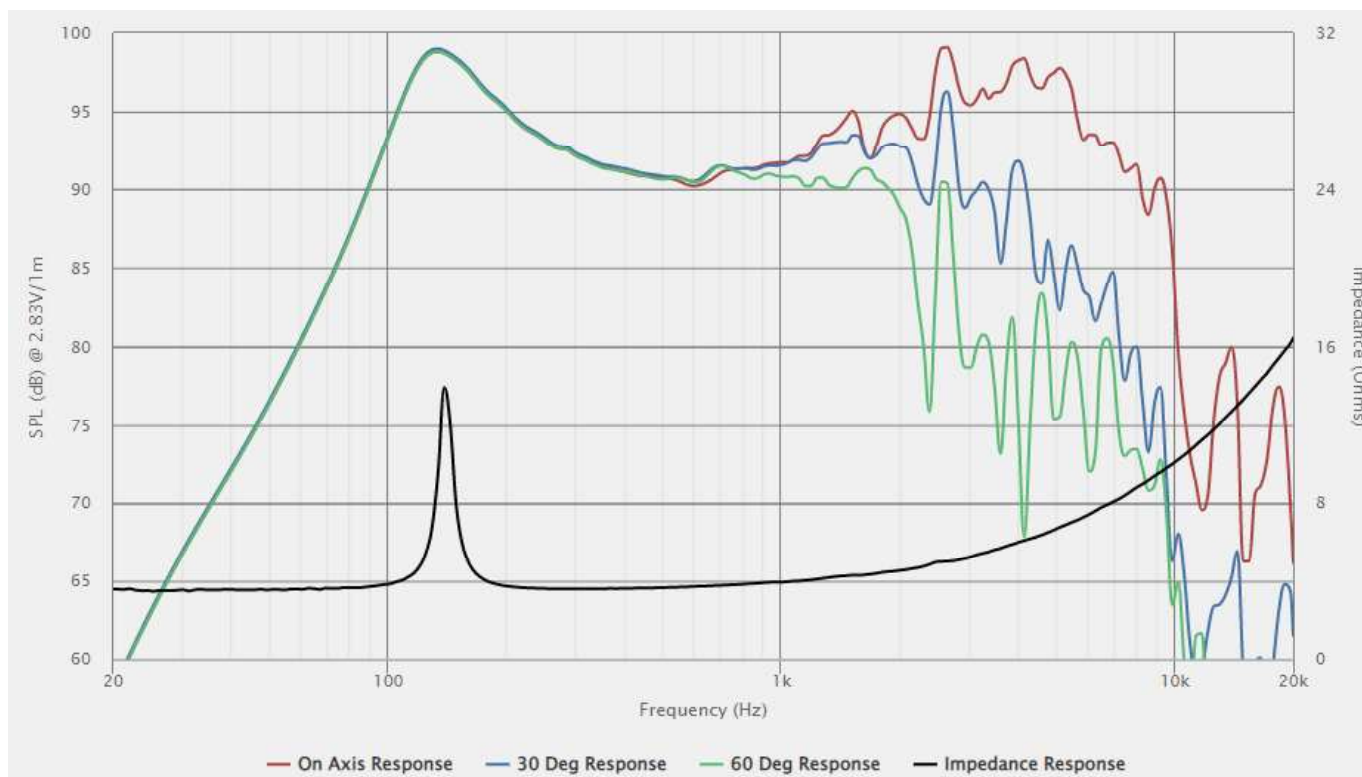
Product Description

In a nod to the great Scottish rock bands, the Glasgow 1050 is the perfect option for guitar players seeking a powerful leading sound at the forefront of any number. This driver's cone is a special, concentrically ribbed paper cone made by guitar-cone expert Kurt Müller, creating a tone profile of rich and warm lows, a balanced mid-range, and screaming highs.

Upgrade your tube amp with this high sensitivity replacement driver—a model sporting a large 35 oz ceramic magnet and a 1.75" voice coils used in the ToneSpeak 12" speakers—to pack your tone with plenty of punch.

Sensitivity & Impedance Curves

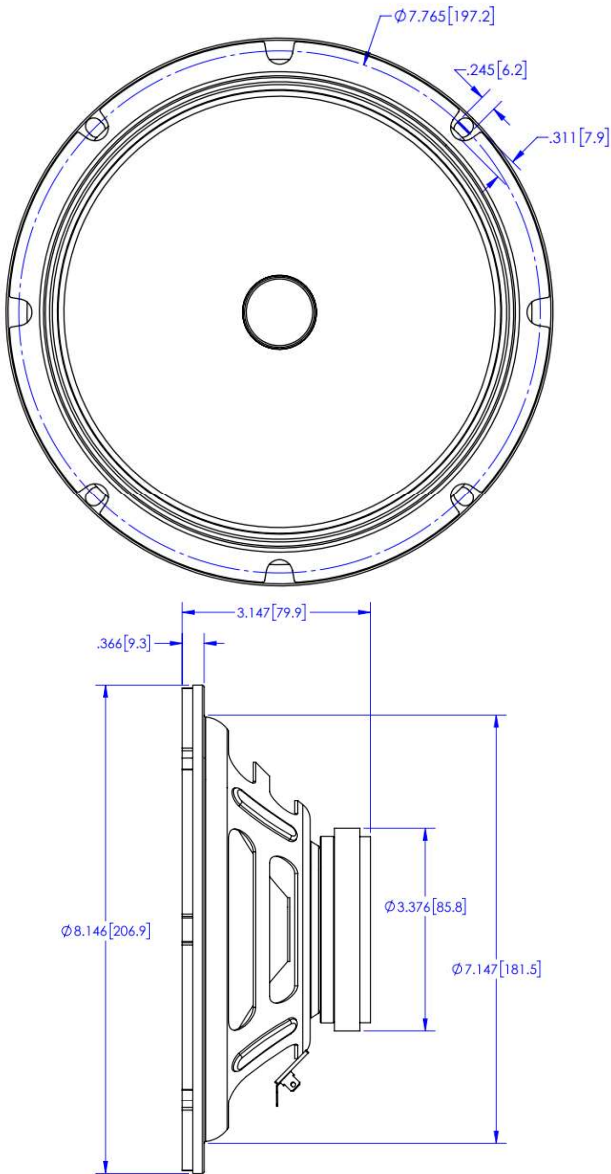
Input: 2.83 volts measured at 1 Meter





Model # Detroit 820 Part # 86064
8" Guitar Speaker, 20 Watt, 4 Ohm

Transducer Drawings*



*CAD file available upon request

Transducer Specifications (Klippel LPM)

Nominal Impedance (ohms)	4
DC Resistance (Re) (ohms)	3.4
Resonant Frequency (Fs) (Hz)	139
Voice Coil Inductance (Le) (mH)	0.12
Mechanical Q factor (Qms)	15.36
Electrical Q factor (Qes)	4.45
Total Q factor (Qts)	3.45
Moving Mass (Mms) (g)	8.28
Compliance (Cms) (mm/N)	0.1
Mechanical Resistance (Rms) (kg/s)	0.47
Effective Piston Area (Sd) (cm ²)	397.6
Suspension Equivalent Volume (Vas) (liters)	10.92
Force Factor (Bl) (T*m)	2.36
Efficiency (No) (%)	0.64

About ToneSpeak™

ToneSpeak guitar speakers are the result of years and years of the deep-dive for the perfect tone. Decades of testing, field experience and conversations with elite tone-chasers have all been poured into these fine products. When you play ToneSpeak, you play the best.

All ToneSpeak products are assembled in Minnesota, with parts sourced from around the world to produce the highest combination of performance, consistency, and customer value.

