



**10PF-8**  
**10" PAPER CONE**  
**FOAM SURROUND**  
**WOOFER**

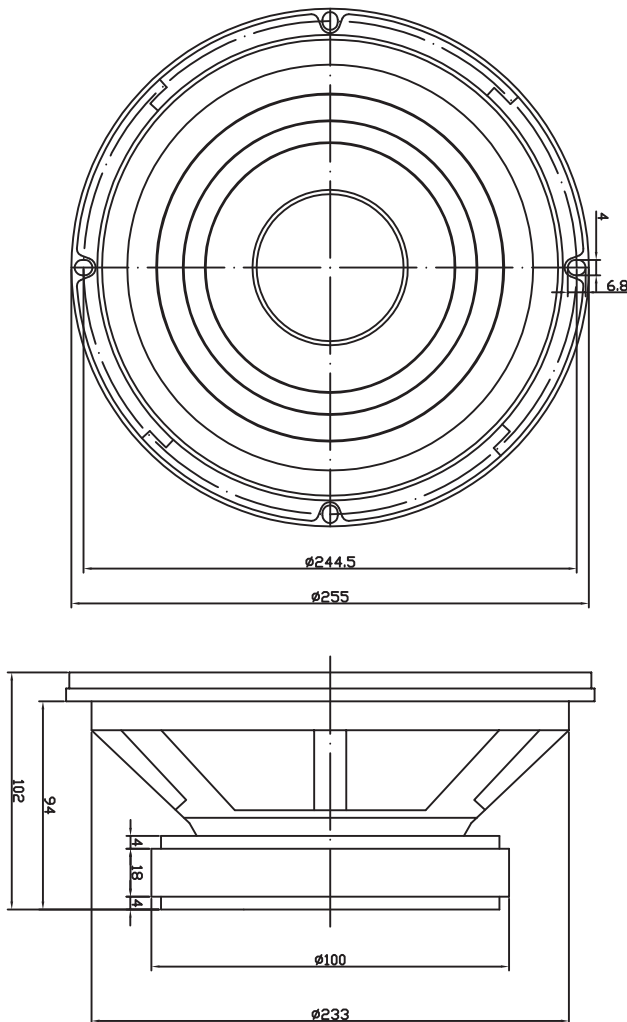
**FEATURES**

- Perfect for use in sealed enclosures
- Poly-laminated paper cone, treated foam surround, and polymer dust cap
- Smooth frequency response with minimal cone breakup
- Great replacement speaker

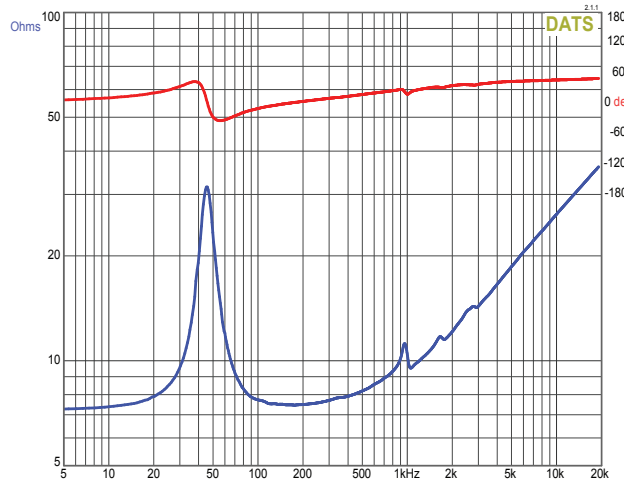
**PARAMETERS**

Impedance	8 ohms
Re	7.2 ohms
Le	1.2 mH
Fs	45 Hz
Qms	5.30
Qes	1.57
Qts	1.21
Mms	35.7 g
Cms	0.35 mm/N
Sd	344.7 cm <sup>2</sup>
Vd	103 cm <sup>3</sup>
BL	6.8 Tm
Vas	58.9 liters
Xmax	3 mm
VC Diameter	38 mm
SPL	88 dB @ 2.83V/1m
RMS Power Handling (AES 426B)	110 watts
Usable Frequency Range (Hz)	40 - 5,000 Hz

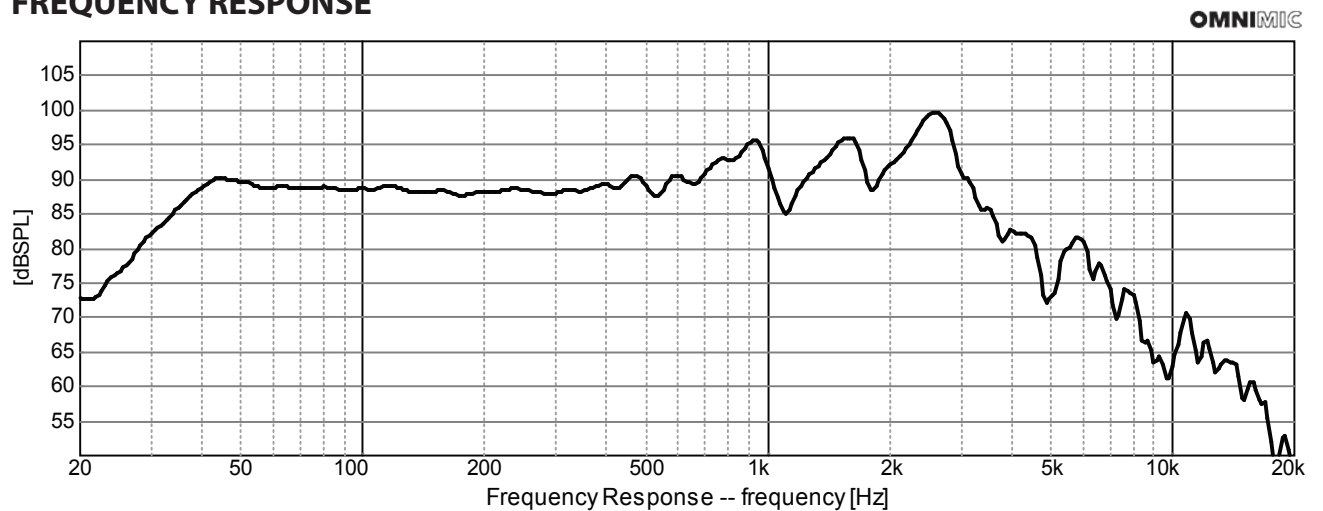
**MECHANICAL DRAWING**



**IMPEDANCE/PHASE**



**FREQUENCY RESPONSE**



Note: 1/24<sup>th</sup> octave smoothing - nearfield response included in graph below 450 Hz.